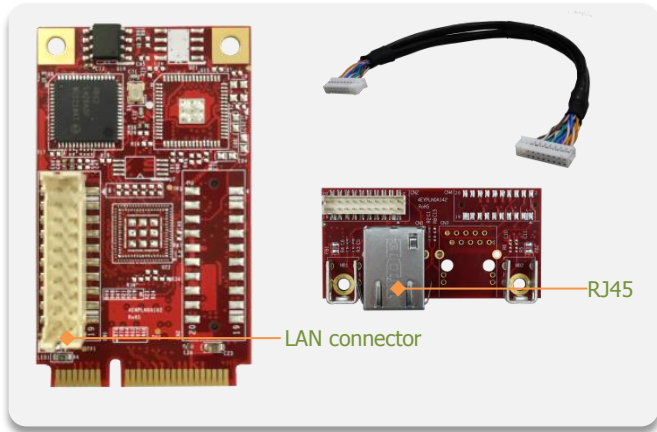


EMPL-G101

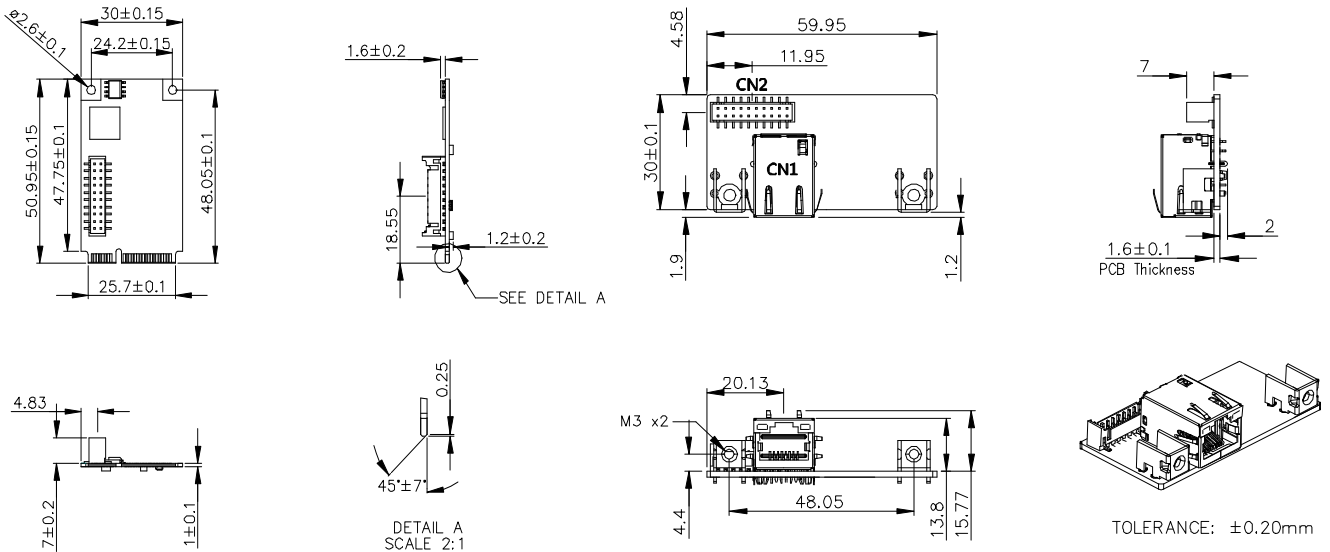
mPCIe to single isolated GbE LAN Module



Features

- Single isolated GbE LAN port.
- 2KV HiPOT and 1KV Surge Protection.
- Flexible daughter board with cable to fit into different system.
- 15KV ESD(Electro-Static Discharge) Surge Protection.
- Optional Industrial Temperature (-40°C to +85°C) support.
- 30μ " golden finger, 3 years warranty.
- Industrial design, manufactured in innodisk Taiwan

Mechanical Drawing



Specifications

Headquarters (Taiwan)
5F., No.237, Sec. 1, Datong Rd.,
Xizhi Dist., New Taipei City 221,
Taiwan (R.O.C.)

Tel: +886-2-26963000
Email: sales@innodisk.com

Branch Offices:

USA
usasales@innodisk.com
+1-510-770-9421

Europe
esusales@innodisk.com
+31-040-282-1818

Japan
jpsales@innodisk.com
+81-3-6661-9846

China
sales_cn@innodisk.com
+86-755-21673689

www.innodisk.com

© 2014 Innodisk Corporation.
All right reserved. Specifications
are subject to change without
prior notice.

May 27, 2015

Form-Factor	mPCIe
Input I/F	PCI Express 2.1 x 1
Output I/F	GbE LAN
Output Connector	RJ45 x 1
TDP	0.66W (3.3V, 200mA)
Dimension (WxLxH)	30 x 50.9 x 6.1 mm
Temperature	Operation: STD: 0°C ~ +70°C. W/T: -40°C ~ +85°C Storage: -55°C ~ +95°C
Environment	Vibration: 5G @7~2000Hz, Shock: 50G @ 0.5ms
Notes	Driver supports Win 7 (32 & 64 bit), Win 8/8.1(32 & 64 bit), Linux 2.4 series kernel ,2.6.x and 3.x version. Please download driver from Innodisk website.

Order information

EMPL-G101-C1(Standard Temp.)
EMPL-G101-W1(Wide Temp.)

mPCIe to single GbE LAN Module