

PMD Series

19" Industrial Display

Model NO :PMD-190XN-VX



Display Specifications

LCD Display	19" Active Matrix TFT color LCD IP65 Front Panel Protection
Active Display Area	376.32(H) x 301.06(V) mm
Resolution	1280 x 1024
Pixels Pitch	0.098*RGB(H) mm x 0.294 mm
Brightness [cd/m ²]	250 (Typ)
Contrast Ration	1000 : 1(Typ.)
Viewing Angle	170° (H) / 160°(V)

System

I/O Connectors	DC power input x 1 , VGA (15 Pin Female D-SUB) x 1
OSD Control	on the front Side

Power Supply

Power Consumption	35 (watt)
Power Input	DC 12 V

Mechanical

Construction	Aluminum front side and metal housing
Mounting	Panel Mount or VESA Mount (100 x 100 mm)
Dimension	470 x 370 x 47.5 (mm)
Net Weight	TBD

Environmental

Operating Temperature	0~50°C (32 ~122 °F)
-----------------------	-----------------------

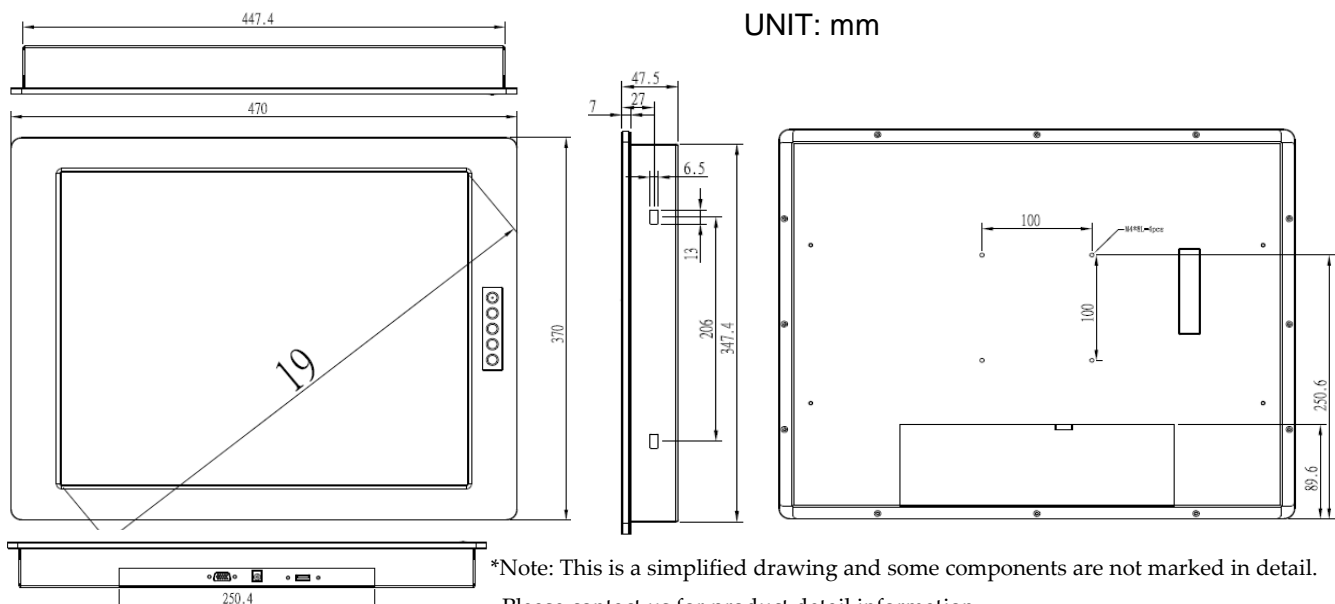
Order Options

Optional DVI Input	Yes
Optional Touch Panel	Resistive (RS232 or USB)

Ordering Information:

PMD-190XN-VX	19" Industrial Display Aluminum front bezel and IP65 front side protection
PMD-190TN-VX	19" Industrial Display Aluminum front bezel and IP65 front side protection with touch screen

Dimension



*Note: This is a simplified drawing and some components are not marked in detail.
 Please contact us for product detail information.

PMD Series

19" Industrial Display

Model NO :PMD-190XN-VU



Display Specifications

LCD Display	19" Active Matrix TFT color LCD IP65 Front Panel Protection
Active Display Area	376.32(H) x 301.06(V) mm
Resolution	1280 x 1024
Pixels Pitch	0.294 (per one triad) x 0.294 mm
Brightness [cd/m ²]	350 (Typ)
Contrast Ratio	1000 : 1(Typ.)
Viewing Angle	170° (H) / 160°(V)

System

I/O Connectors	DC power input x 1 , VGA (15 Pin Female D-SUB) x 1
OSD Control	on the front Side

Power Supply

Power Consumption	35 (watt)
Power Input	DC 12 V

Mechanical

Construction	Aluminum front side and metal housing
Mounting	Panel Mount or VESA Mount (100 x 100 mm)
Dimension	470 x 370 x 47.5 (mm)
Net Weight	TBD

Environmental

Operating Temperature	0~50°C (32 ~122 °F)
-----------------------	-----------------------

Order Options

Optional DVI Input	Yes
Optional Touch Panel	Resistive (RS232 or USB)

Ordering Information:

PMD-190XN-VU	19" Industrial Display Aluminum front bezel and IP65 front side protection
PMD-190TN-VU	19" Industrial Display Aluminum front bezel and IP65 front side protection with touch screen

Dimension

