

# VIEWWELL

Contradata Milano S.r.l.

Via Solferino 12, 20900 Monza (MB) - Italy

Tel: (+39) 039-2301492 - Fax : (+39) 039-2301489

E-Mail: info@contradata.it

## PMD Series - High Brightness **800** nits 17" Industrial Display

Model NO :PMD-170XN-VU



### Display Specifications

LCD Display	17" Active Matrix TFT color LCD IP65 Front Panel Protection
Active Display Area	337.920(H) x 270.336(V) mm
Resolution	1280 x 1024
Pixels Pitch	0.264(per one triad) x 0.264 mm
Brightness [ cd/m <sup>2</sup> ]	800 (Typ)
Contrast Ration	1000 : 1(Typ.)
Viewing Angle	170° (H) / 160°(V)

### System

I/O Connectors	DC power input x 1 , VGA (15 Pin Female D-SUB) x 1
OSD Control	on the front Side

### Power Supply

Power Consumption	30 (watt)
Power Input	DC 12 V

### Mechanical

Construction	Aluminum front side and metal housing
Mounting	Panel Mount or VESA Mount (100 x 100 mm)
Dimension	440 x 340 x 45 (mm)
Net Weight	TBD

### Environmental

Operating Temperature	0~50°C ( 32 ~122 °F )
-----------------------	-----------------------

### Order Options

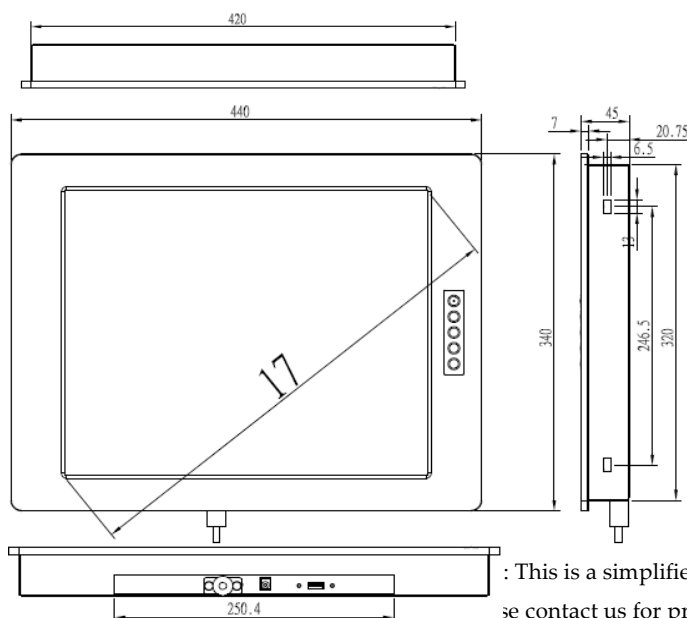
Optional DVI Input	Yes
Optional Touch Panel	Resistive (RS232 or USB)

### Ordering Information:

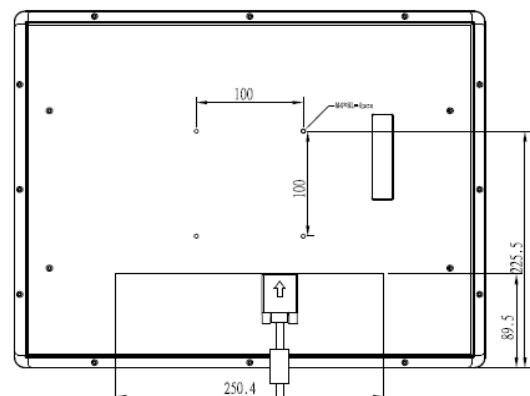
PMD-170XN-VX 17" Industrial Display Aluminmu front bezel and IP65 front side protection

PMD-170TN-VX 17" Industrial Display Aluminmu front bezel and IP65 front side protection with touch screen

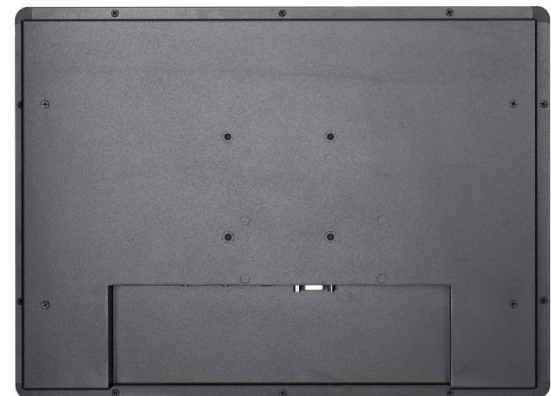
### Dimension



UNIT: mm



: This is a simplified drawing and some components are not marked in detail.  
se contact us for product detail information.



# VIEWWELL

Contradata Milano S.r.l.  
Via Solferino 12, 20900 Monza (MB) - Italy  
Tel: (+39) 039-2301492 - Fax : (+39) 039-2301489  
E-Mail: info@contradata.it

## PMD Series - High Brightness **800** nits 17" Industrial Display

Model NO :PMD-170XN-VU



### Display Specifications

LCD Display	17" Active Matrix TFT color LCD IP65 Front Panel Protection
Active Display Area	337.920(H) x 270.336(V) mm
Resolution	1280 x 1024
Pixels Pitch	0.264(per one triad) x 0.264 mm
Brightness [ cd/m <sup>2</sup> ]	800 (Typ)
Contrast Ration	1000 : 1(Typ.)
Viewing Angle	170° (H) / 160°(V)

### System

I/O Connectors	DC power input x 1 , VGA (15 Pin Female D-SUB) x 1
OSD Control	on the front Side

### Power Supply

Power Consumption	30 (watt)
Power Input	DC 12 V

### Mechanical

Construction	Aluminum front side and metal housing
Mounting	Panel Mount or VESA Mount (100 x 100 mm)
Dimension	440 x 340 x 45 (mm)
Net Weight	TBD

### Environmental

Operating Temperature	0~50°C ( 32 ~122 °F )
-----------------------	-----------------------

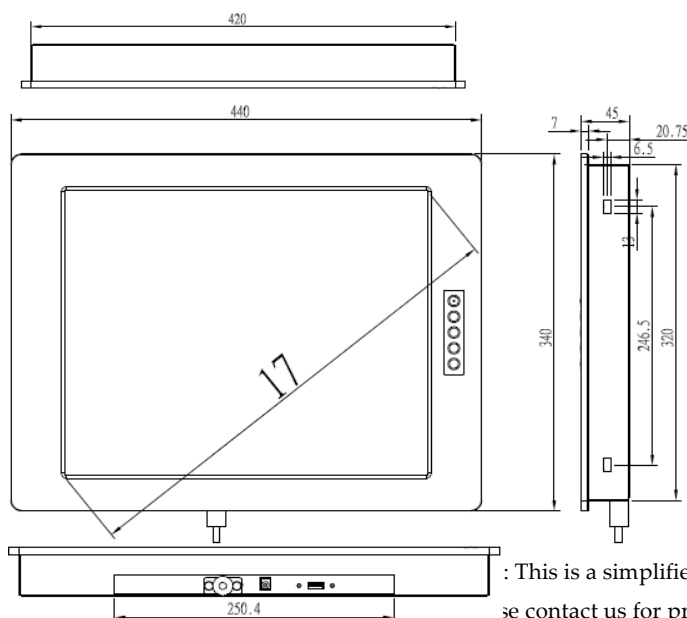
### Order Options

Optional DVI Input	Yes
Optional Touch Panel	Resistive (RS232 or USB)

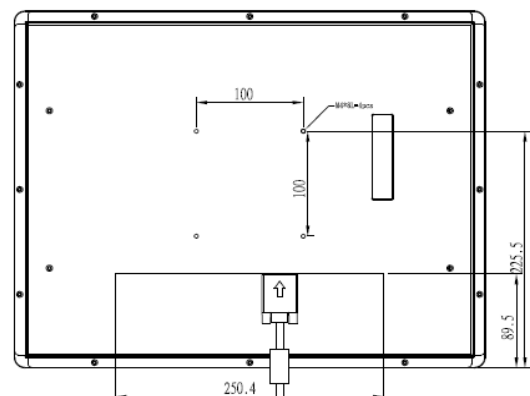
### Ordering Information:

PMD-170XN-VX	17" Industrial Display Aluminmu front bezel and IP65 front side protection
PMD-170TN-VX	17" Industrial Display Aluminmu front bezel and IP65 front side protection with touch screen

### Dimension



UNIT: mm



: This is a simplified drawing and some components are not marked in detail.  
se contact us for product detail information.

