

# VIEWELL

## Open Frame Series

### 19" Open Frame Display

Model NO : OFD-190



#### Display Specifications

LCD Display	19" Active Matrix TFT color LCD
Active Display Area	376.32(H) x 301.06(V) mm
Resolution	1280 x 1024
Pixels Pitch	0.098*RGB(H) mm x 0.294 mm
Brightness [cd/m <sup>2</sup> ]	250 (Typ) or 350 (optional)
Contrast Ratio	800 : 1(Typ.) or 1000 : 1 (optional)
Viewing Angle	170° (H) / 160°(V)

#### System

I/O Connectors	DC power input x 1 , VGA (15 Pin Female D-SUB) x 1
OSD Control	on the Rear Side

#### Power Supply

Power Consumption	35 (watt)
Power Input	DC 12 V

#### Mechanical

Construction	Metal Chassis
Mounting	Panel Mount or VESA Mount (100 x 100 Mount)
Dimension	468.8 x 368.8 x 41 mm
Net Weight	4.9 KGS

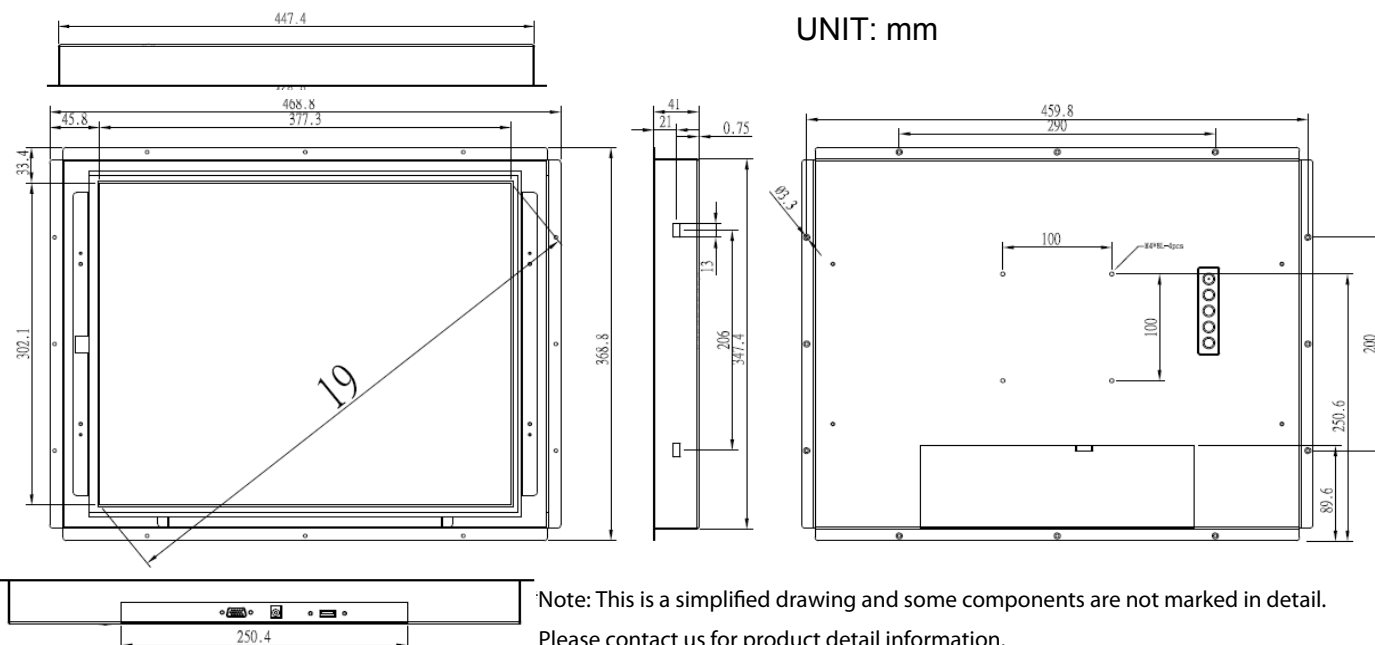
#### Environmental

Operating Temperature	0°~50° C ( 32° ~122° F)
-----------------------	-------------------------

#### Other Features

Optional DVI Input	Yes
Optional Touch Panel	Resistive, Capacitive (RS232 or USB)

#### Dimension



Model NO: OFD-190



#### Ordering Options:

- A) Brightness level (250cd/m<sup>2</sup> or 350cd/m<sup>2</sup>)
- B) With or without touchscreen
- C) Resistive or Capacitive touchscreen
- D) Touchscreen interface (RS-232 or USB)
- E) With or without DVI option