

VIEWELL

Open Frame Series

15" Open Frame Display

Model NO : OFD-150



Display Specifications

LCD Display	15" Active Matrix TFT color LCD
Active Display Area	304.128(H) x 228.096(V) mm
Resolution	1024 x 768
Pixels Pitch	0.297 x 0.297 mm
Brightness [cd/m ²]	250 (Typ) or 350 (optional)
Contrast Ration	700 : 1(Typ.)
Viewing Angle	170° (H) / 160°(V) or 160° (H) / 140° (V)

System

I/O Connectors	DC power input x 1 , VGA (15 Pin Female D-SUB) x 1
OSD Control	on the Rear Side

Power Supply

Power Consumption	30 (watt)
Power Input	DC 12 V

Mechanical

Construction	Metal Chassis
Mounting	Panel Mount or VESA Mount (75 x 75 Mount)
Dimension	399 x 299.5 x 35.5 (mm)
Net Weight	2.80 KGS

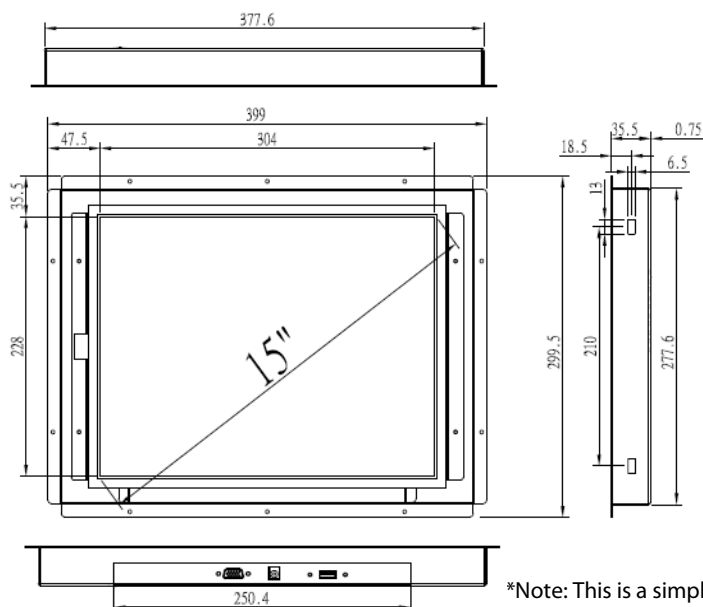
Environmental

Operating Temperature	0°~50° C (32° ~122° F)
-----------------------	-------------------------

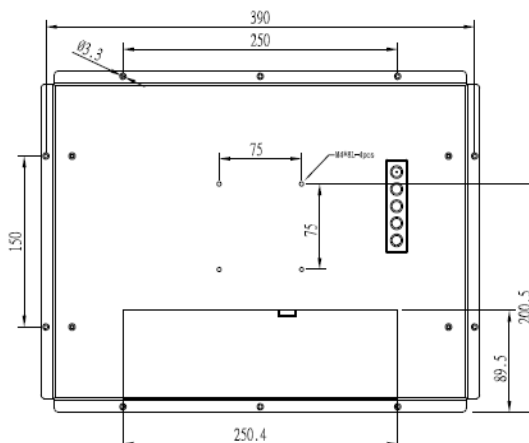
Other Features

Optional DVI Input	Yes
Optional Touch Panel	Resistive, Capacitive (RS232 or USB)

Dimension

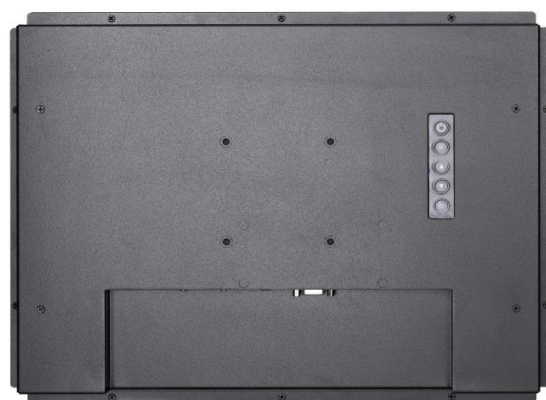


UNIT: mm



*Note: This is a simplified drawing and some components are not marked in detail.
Please contact us for product detail information.

Model NO: OFD-150



Ordering Options:

- A) Brightness level (250cd/m² or 350cd/m²)
- B) With or without touchscreen
- C) Resistive or Capacitive touchscreen
- D) Touchscreen interface (RS-232 or USB)
- E) With or without DVI option