

# VIEWELL

## Open Frame Series

### 12.1" Open Frame Display

Model NO : OFD-121



Model NO : OFD-121

#### Display Specifications

LCD Display	12.1" Active Matrix TFT color LCD
Active Display Area	245.76 (H) x 184.32 (V) mm
Resolution	1024 x 768
Pixels Pitch	0.24 x 0.24 mm
Brightness [cd/m <sup>2</sup> ]	500 (Typ)
Contrast Ratio	700 : 1(Typ.)
Viewing Angle	160° (H) / 160°(V)

#### System

I/O Connectors	DC power input x 1 , VGA (15 Pin Female D-SUB) x 1
OSD Control	on the Rear Side

#### Power Supply

Power Consumption	25 (watt)
Power Input	DC 12 V

#### Mechanical

Construction	Metal Chassis
Mounting	Panel Mount or VESA Mount ( 75 x 75 mm)
Dimension	324 x 249 x 33 (mm)
Net Weight	1.70 KGS

#### Environmental

Operating Temperature	0°~50° C ( 32° ~122° F)
-----------------------	-------------------------

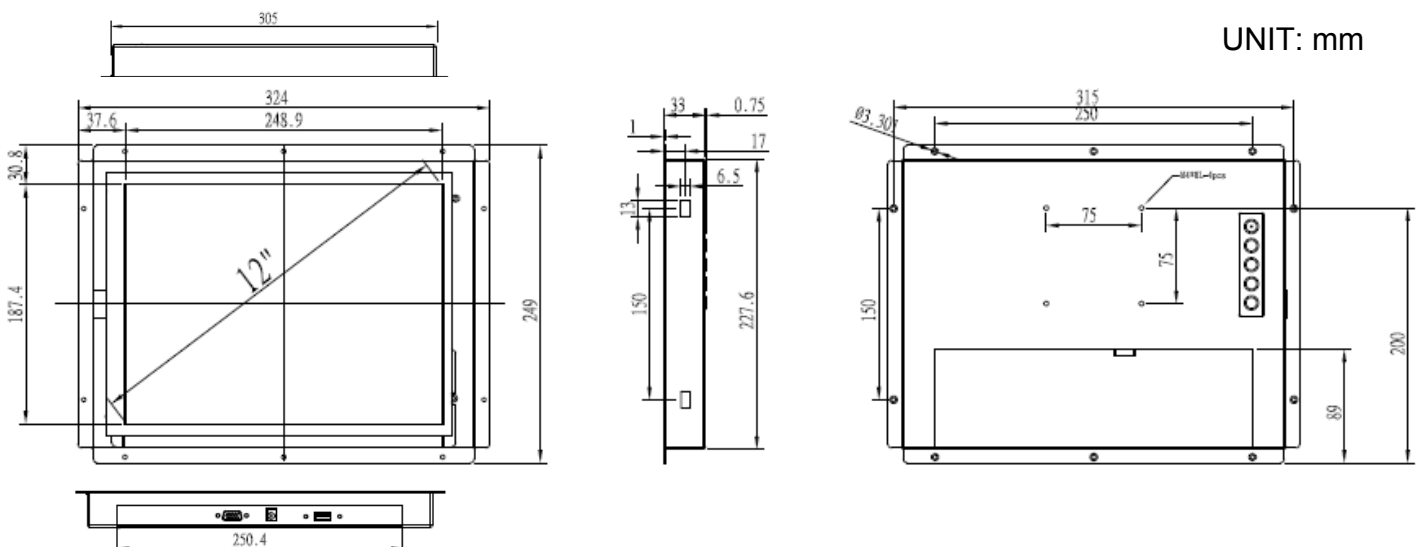
#### Other Features

Optional DVI Input	Yes
Optional Touch Panel	Resistive, Capacitive (RS232 or USB)



#### Ordering options:

- A) With or without touchscreen
- B) Resistive or Capacitive Touchscreen
- C) Touchscreen interface (RS-232 or USB)
- D) With or without DVI option



\*Note: This is a simplified drawing and some components are not marked in detail.