

ACE-716A/AP

150 W 1U Type AT Power Supply



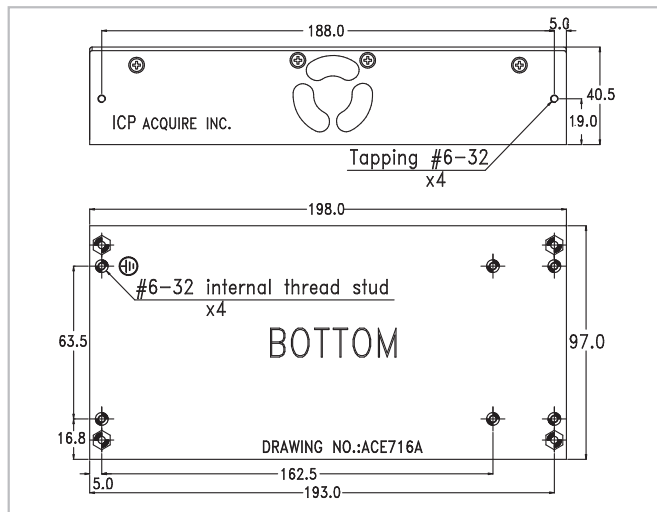
Specifications

Input Type	85 ~ 135 VAC, 180 ~ 265 VAC Auto Range (ACE-716A)			
	85 ~ 265 VAC Full Range (ACE-716AP)			
Output Voltage	+5V	+12V	-5V	-12V
	18 A (1 A min.)	4 A	0.5 A	1 A
Efficiency	75%			
Temperature	Operating: -20°C ~ 70°C (50°C ~ 70°C derating curve) Storage: -20°C ~ 85°C			
MTBF (hrs)	149,000			
Output Connector	Optional cable			
Dimensions (mm)	198 x 97 x 40.5			

Ordering Information

Part No.	Description
ACE-716A-RS	150W AC-DC AT Power Supply
ACE-716AP-RS	150W AC-DC AT Power Supply, with PFC

Dimensions (Unit: mm)



1U DC Input ATX Type

ACE-717CX

1U 24V DC Input ATX Power Supply



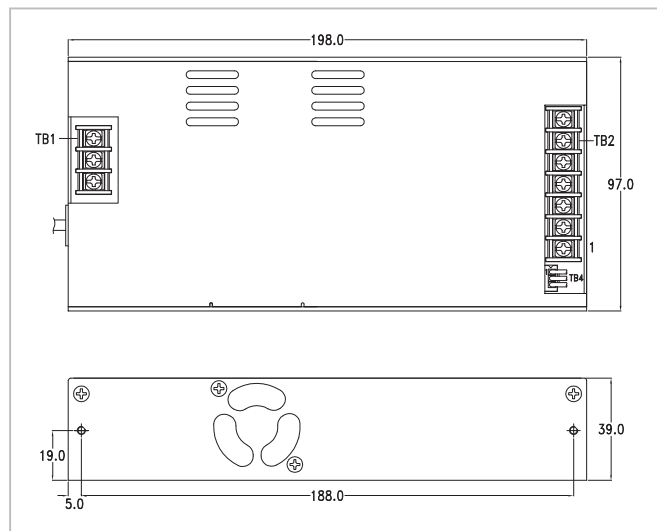
Specifications

Input Type	19 ~ -32 VDC					
	+3.3V	+5V	+12V	-5V	-12V	+5Vsb
Output Voltage	6 A	8 A (1 A min.)	8 A (1 A min.)	0.5 A	1 A	
	Efficiency: 75%					
Temperature	Operating: 0°C ~ 70°C (can be started up at -20°C) Storage: -40°C ~ 75°C					
MTBF (hrs)	100,000					
Output Connector	5VSB & PS_ON cable					
Dimensions (mm)	198 x 97 x 39					

Ordering Information

Part No.	Description
ACE-717CX-RS	170W 24V DC input ATX Power Supply

Dimensions (Unit: mm)



1

Industrial Computing Solutions

2

Video Capture Solutions

3

Industrial System

4

Industrial Computer Chassis

5

Power Supply/ Peripherals