

User's Manual

Display Computing Solution



Convertible Touch Monitor
CV-100/M1000 Series

Contents

Preface

Revision	03
Copyright Notice	03
Acknowledgement	03
Disclaimer	03
Declaration of Conformity	03
Product Warranty Statement	04
Technical Support and Assistance	05
Conventions Used in this Manual	05
Safety Precaution	06
Package Contents	07
Optional Accessories	07
Ordering Information	08

Chapter 1 Product Introductions

1.1 Overview	11
1.1.1 CV-108/M1001	12
1.1.2 CV-110/M1001	14
1.1.3 CV-110H/M1001	16
1.1.4 CV-112/M1001	18
1.1.5 CV-112H/M1001	20
1.1.6 CV-115/M1001	22
1.1.7 CV-W115/M1001	24
1.1.8 CV-117/M1001	26
1.1.9 CV-119/M1001	28
1.1.10 CV-W121/M1001	30
1.2 System I/O	32
1.2.1 Front	32
1.2.2 Rear	32
1.2.3 Side (Left)	33
1.2.4 Side (Right)	33
1.2.5 Top	34

Chapter 2 OSD Operation

2.1 Function Description of OSD	36
---------------------------------------	----

Chapter 3 System Setup

3.1 Connecting with CV Display Module	38
---	----

Preface

Revision

Revision	Description	Date
1.00	Manual Released	2015/01/06
1.10	Power Input Revision	2015/07/17
1.20	CV-110H and CV-112H Product Info and Mechanical Dimensions Added	2015/12/10
1.30	CV-W121 Product Info and Mechanical Dimensions Added	2016/10/24
1.40	Revised Manual Description	2016/12/22
1.50	Added New CV-100/M1000 Series Products Information	2018/09/07

Copyright Notice

© 2016 by Cincoze Co., Ltd. All rights are reserved. No parts of this manual may be copied, modified, or reproduced in any form or by any means for commercial use without the prior written permission of Cincoze Co., Ltd. All information and specification provided in this manual are for reference only remaining subject to change without prior notice.

Acknowledgement

Cincoze is a registered trademark of Cincoze Co., Ltd. All registered trademarks and product names mentioned herein are used for identification purposes only and may be trademarks and/or registered trademarks of their respective owners.

Disclaimer

This manual is designed to be used as a practical and informative guide only and is subject to change without notice. It does not represent a commitment on the part of Cincoze. This product might include unintentional technical or typographical errors. Changes are periodically made to the information herein to correct such errors, and these changes are incorporated into new editions of the publication.

Declaration of Conformity



FCC

This equipment has been tested and found to comply with the limits for a Class A digital device, pursuant to Part 15 of the FCC Rules. These limits are designed to provide reasonable protection against harmful interference when the equipment is operated in a commercial environment. This equipment generates, uses, and can radiate radio frequency energy and, if not installed and used in accordance with the instruction manual, may cause harmful interference to radio communications. Operation of this equipment in a residential area is likely to cause harmful interference in which case the user will be required to correct the interference at his own expense.



CE

The product(s) described in this manual complies with all application European Union (CE) directives if it has a CE marking. For computer systems to remain CE compliant, only CE-compliant parts may be used. Maintaining CE compliance also requires proper cable and cabling techniques.

Product Warranty Statement

Warranty

Cincoze products are warranted by Cincoze Co., Ltd. to be free from defect in materials and workmanship for 2 years from the date of purchase by the original purchaser.

During the warranty period, we shall, at our option, either repair or replace any product that proves to be defective under normal operation.

Defects, malfunctions, or failures of the warranted product caused by damage resulting from natural disasters (such as by lightning, flood, earthquake, etc.), environmental and atmospheric disturbances, other external forces such as power line disturbances, plugging the board in under power, or incorrect cabling, and damage caused by misuse, abuse, and unauthorized alteration or repair, and the product in question is either software, or an expendable item (such as a fuse, battery, etc.), re not warranted.

RMA

Before sending your product in, you will need to fill in Cincoze RMA Request Form and obtain a RMA number from us. Our staff is available at any time to provide you with the most friendly and immediate service.

■ RMA Instruction

- Customers must fill in Cincoze Return Merchandise Authorization (RMA) Request Form and obtain a RMA number prior to returning a defective product to Cincoze for service.
- Customers must collect all the information about the problems encountered and note anything abnormal and describe the problems on the "Cincoze Service Form" for the RMA number apply process.
- Charges may be incurred for certain repairs. Cincoze will charge for repairs to products whose warranty period has expired. Cincoze will also charge for repairs to products if the damage resulted from acts of God, environmental or atmospheric disturbances, or other external forces through misuse, abuse, or unauthorized alteration or repair. If charges will be incurred for a repair, Cincoze lists all charges, and will wait for customer's approval before performing the repair.
- Customers agree to insure the product or assume the risk of loss or damage during transit, to prepay shipping charges, and to use the original shipping container or equivalent.
- Customers can be send back the faulty products with or without accessories (manuals, cable, etc.) and any components from the system. If the components were suspected as part of the problems, please note clearly which components are included. Otherwise, Cincoze is not responsible for the devices/parts.
- Repaired items will be shipped along with a "Repair Report" detailing the findings and actions taken.

Limitation of Liability

Cincoze' liability arising out of the manufacture, sale, or supplying of the product and its use, whether based on warranty, contract, negligence, product liability, or otherwise, shall not exceed the original selling price of the product. The remedies provided herein are the customer's sole and exclusive remedies. In no event shall Cincoze be liable for direct, indirect, special or consequential damages whether based on contract of any other legal theory.

Technical Support and Assistance

1. Visit the Cincoze website at www.cincoze.com where you can find the latest information about the product.
2. Contact your distributor or our technical support team or sales representative for technical support if you need additional assistance. Please have following information ready before you call:
 - Product name and serial number
 - Description of your peripheral attachments
 - Description of your software (operating system, version, application software, etc.)
 - A complete description of the problem
 - The exact wording of any error messages

Conventions Used in this Manual



WARNING

This indication alerts operators to an operation that, if not strictly observed, may result in severe injury.



CAUTION

This indication alerts operators to an operation that, if not strictly observed, may result in safety hazards to personnel or damage to equipment.



NOTE

This indication provides additional information to complete a task easily.

Safety Precautions

Before installing and using this device, please note the following precautions:

1. Read these safety instructions carefully.
2. Keep this User's Manual for future reference.
3. Disconnect this equipment from any AC outlet before cleaning.
4. For plug-in equipment, the power outlet socket must be located near the equipment and must be easily accessible.
5. Keep this equipment away from humidity.
6. Put this equipment on a reliable surface during installation. Dropping it or letting it fall may cause damage.
7. Make sure the voltage of the power source is correct before connecting the equipment to the power outlet.
8. Use a power cord that has been approved for using with the product and that it matches the voltage and current marked on the product's electrical range label. The voltage and current rating of the cord must be greater than the voltage and current rating marked on the product.
9. Position the power cord so that people cannot step on it. Do not place anything over the power cord.
10. All cautions and warnings on the equipment should be noted.
11. If the equipment is not used for a long time, disconnect it from the power source to avoid damage by transient overvoltage.
12. Never pour any liquid into an opening. This may cause fire or electrical shock.
13. Never open the equipment. For safety reasons, the equipment should be opened only by qualified service personnel.

If one of the following situations arises, get the equipment checked by service personnel:

- The power cord or plug is damaged.
 - Liquid has penetrated into the equipment.
 - The equipment has been exposed to moisture.
 - The equipment does not work well, or you cannot get it work according to the user's manual.
 - The equipment has been dropped and damaged.
 - The equipment has obvious signs of breakage.
14. **CAUTION:** Danger of explosion if battery is incorrectly replaced. Replace only with the same or equivalent type recommended by the manufacturer.

Package Contents

Before installation, please ensure all the items listed in the following table are included in the package.

Item	Description	Q'ty
1	Touch Monitor	1
2	Panel Mounting Kit	1
3	Utility DVD Driver	1
4	Power Terminal Block Connector	1
5	USB Cable	1
6	VGA Cable	1
7	Screw Pack	1

Note: Notify your sales representative if any of the above items are missing or damaged.

Optional Accessories

Model No.	Description
GSM60A12-CIN	Adapter AC/DC 12V 5A 60W with 3pin Terminal Block Plug 5.0mm Pitch
DVI-D Cable	DVI-D male to DVI-D male Cable 1.8M
SL2-SL3	US 2 heads power cord, US B type to IEC C13, SVT 18AWG/3C Black 1.8M
SL6-SL3	EU 2 heads power cord, EU G type to IEC C13, H05VV-F 0.75mm ² /3G Black 1.8M
QP026-SL3	UK 2 heads power cord, UK I type to IEC C13, H05VV-F 0.75mm ² /3G Black 1.8M

Ordering Information

Touch Monitor with Resistive 5-wire Touch

Model No.	Product Description
CV-108R-R10/M1001	8.4" TFT SVGA 4:3 Monitor with Resistive 5-wire Touch, 1x USB, 1x COM, 1x VGA, 1x DVI-D and 1x DisplayPort
CV-110R-R10/M1001	10.4" TFT SVGA 4:3 Monitor with Resistive 5-wire Touch, 1x USB, 1x COM, 1x VGA, 1x DVI-D and 1x DisplayPort
CV-110HR-R10/M1001	10.4" TFT XGA 4:3 Monitor with Resistive 5-wire Touch, 1x USB, 1x COM, 1x VGA, 1x DVI-D and 1x DisplayPort
CV-112R-R10/M1001	12.1" TFT SVGA 4:3 Monitor with Resistive 5-wire Touch, 1x USB, 1x COM, 1x VGA, 1x DVI-D and 1x DisplayPort
CV-112HR-R10/M1001	12.1" TFT XGA 4:3 Monitor with Resistive 5-wire Touch, 1x USB, 1x COM, 1x VGA, 1x DVI-D and 1x DisplayPort
CV-115R-R10/M1001	15" TFT XGA 4:3 Monitor with Resistive 5-wire Touch, 1x USB, 1x COM, 1x VGA, 1x DVI-D and 1x DisplayPort
CV-W115R-R10/M1001	15.6" TFT WXGA 16:9 Monitor with Resistive 5-wire Touch, 1x USB, 1x COM, 1x VGA, 1x DVI-D and 1x DisplayPort
CV-117R-R10/M1001	17" TFT SXGA 5:4 Monitor with Resistive 5-wire Touch, 1x USB, 1x COM, 1x VGA, 1x DVI-D and 1x DisplayPort
CV-119R-R10/M1001	19" TFT SXGA 5:4 Monitor with Resistive 5-wire Touch, 1x USB, 1x COM, 1x VGA, 1x DVI-D and 1x DisplayPort
CV-W121R-R10/M1001	21.5" TFT Full HD 16:9 Monitor with Resistive 5-wire Touch, 1x USB, 1x COM, 1x VGA, 1x DVI-D and 1x DisplayPort

Touch Monitor with Projected Capacitive Touch

Model No.	Product Description
CV-110C-R10/M1001	10.4" TFT SVGA 4:3 Monitor with Projected Capacitive Touch, 1x USB, 1x COM, 1x VGA, 1x DVI-D and 1x DisplayPort
CV-110HC-R10/M1001	10.4" TFT XGA 4:3 Monitor with Projected Capacitive Touch, 1x USB, 1x COM, 1x VGA, 1x DVI-D and 1x DisplayPort
CV-112C-R10/M1001	12.1" TFT SVGA 4:3 Monitor with Projected Capacitive Touch, 1x USB, 1x COM, 1x VGA, 1x DVI-D and 1x DisplayPort
CV-112HC-R10/M1001	12.1" TFT XGA 4:3 Monitor with Projected Capacitive Touch, 1x USB, 1x COM, 1x VGA, 1x DVI-D and 1x DisplayPort
CV-115C-R10/M1001	15" TFT XGA 4:3 Monitor with Projected Capacitive Touch, 1x USB, 1x COM, 1x VGA, 1x DVI-D and 1x DisplayPort
CV-W115C-R10/M1001	15.6" TFT WXGA 16:9 Monitor with Projected Capacitive Touch, 1x USB, 1x COM, 1x VGA, 1x DVI-D and 1x DisplayPort
CV-117C-R10/M1001	17" TFT SXGA 5:4 Monitor with Projected Capacitive Touch, 1x USB, 1x COM, 1x VGA, 1x DVI-D and 1x DisplayPort
CV-119C-R10/M1001	19" TFT SXGA 5:4 Monitor with Projected Capacitive Touch, 1x USB, 1x COM, 1x VGA, 1x DVI-D and 1x DisplayPort
CV-W121C-R10/M1001	21.5" TFT Full HD 16:9 Monitor with Projected Capacitive Touch, 1x USB, 1x COM, 1x VGA, 1x DVI-D and 1x DisplayPort

Monitor without Touch

Model No.	Product Description
CV-117G-R10/M1001-R12	17" TFT SXGA 5:4 Monitor without Touch, w/ 1x USB, 1x COM, 1x VGA, 1x DVI-D and 1x DisplayPort
CV-119G-R10/M1001-R12	19" TFT SXGA 5:4 Monitor without Touch, w/ 1x USB, 1x COM, 1x VGA, 1x DVI-D and 1x DisplayPort
CV-W121G-R10/M1001-R12	21.5" TFT Full HD 16:9 Monitor without Touch, w/ 1x USB, 1x COM, 1x VGA, 1x DVI-D and 1x DisplayPort



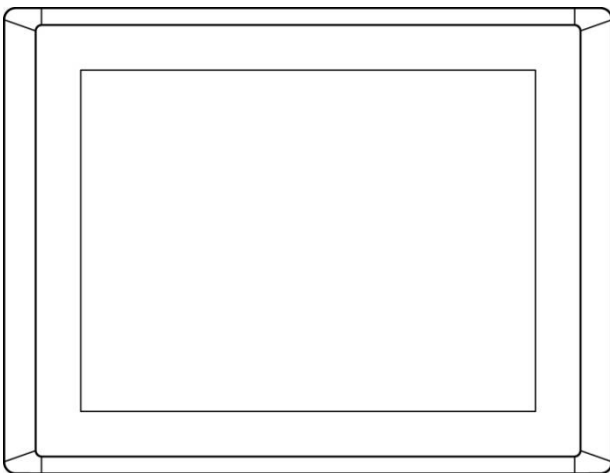
Chapter 1

Product Introductions

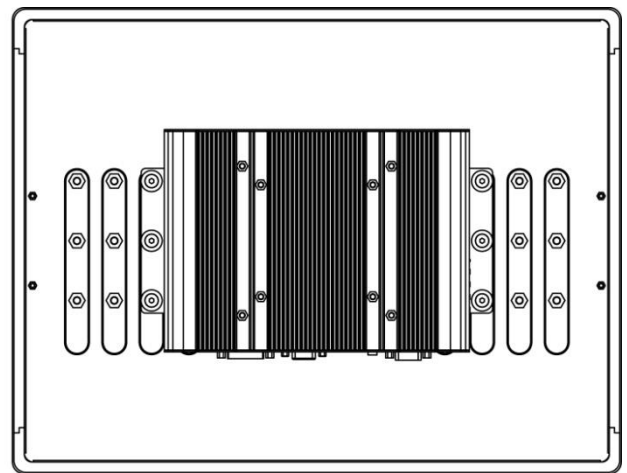
1.1 Overview

The CV-100/M1000 series provides 8.4" ~ 21.5" touch monitor with resistive 5-wire / projected capacitive touch monitor features flat surface and IP65 dust/waterproof front panel. In addition, designed with aluminum die-cast front frame, it is rugged and reliable for industrial environment. CV-100/M1000 series supports CDS Technology (Convertible Display System) which allows to configure, upgrade and maintain your touch monitor easily.

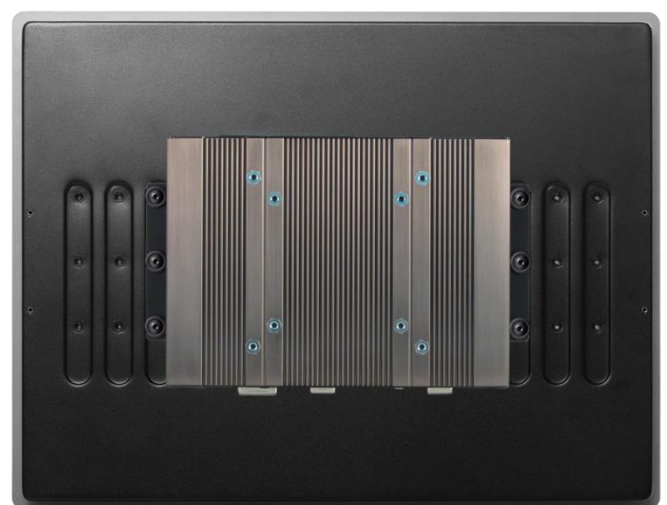
CV-100/M1000 series supports both digital and analog signal input via three types of display interface: VGA, DVI-D and DisplayPort. Touch screen can be connected with USB or COM port. It has OSD function for adjusting the viewing options of display. With the support of wide range power input from 9~48VDC, CV-100/M1000 series is designed as an ideal solution for industrial application.



Front



Rear



1.1.1 CV-108/M1001

Key Features

- 8.4" TFT SVGA 4:3 LCD with Resistive 5-wire Touch
- Designed with Aluminum Die-Casting Front Frame
- 1x USB, 1x COM, 1x VGA, 1x DVI-D, 1x DisplayPort, 1x Audio
- IP 65 Compliant Front Panel
- Support Panel / Wall / VESA Mounting
- Convertible Display System (CDS) Supported
- Built-in Two 5W Internal Speakers

Hardware Specification

Display

- LCD Size: 8.4" (4:3)
- Max. Resolution: 800 x 600
- Brightness (cd/m²): 400
- Contrast Ratio: 600 : 1
- LCD Color: 262K
- Pixel Pitch (mm): 0.213 (H) x 0.213 (V)
- Viewing Angle (H-V): 150 / 130
- Backlight MTBF: 30000 hrs (LED Backlight)

Touch

- Resistive 5-wire Touch

I/O Ports

- 1x VGA
- 1x DVI-D
- 1x DisplayPort
- 1x Audio Input
- 1x USB 2.0
- 1x COM Port (Resistive Touch Only)

(USB & COM Port are reserved for the connection to enable touch usage only)

Other Features

- Audio: AMP 5W + 5W (Internal Speaker)
- OSD Function: LCD On/Off, Auto, Menu, Up and Down
- Multi-language OSD Function

Power

- 1x 3-pin Terminal Block Connector with Power Input 9~48VDC
- 1x Optional AC/DC 12V/5A, 60W Power Adapter

Environment

- Operating Temperature: Ambient with Air Flow: -5°C to 60°C (with Industrial Grade Peripherals)
- Storage Temperature: -20°C to 70°C
- Relative humidity: 90% RH @ 60°C (Non-Condensing)
- IP Level: IP 65 Compliant Front Panel

Physical

- Dimension (WxHxD): 262 x 186 x 66 mm
- Weight: 2.74 kg
- Construction Front Panel: Die-cast Flat Surface
- Mounting: Panel / Wall / VESA Mounting

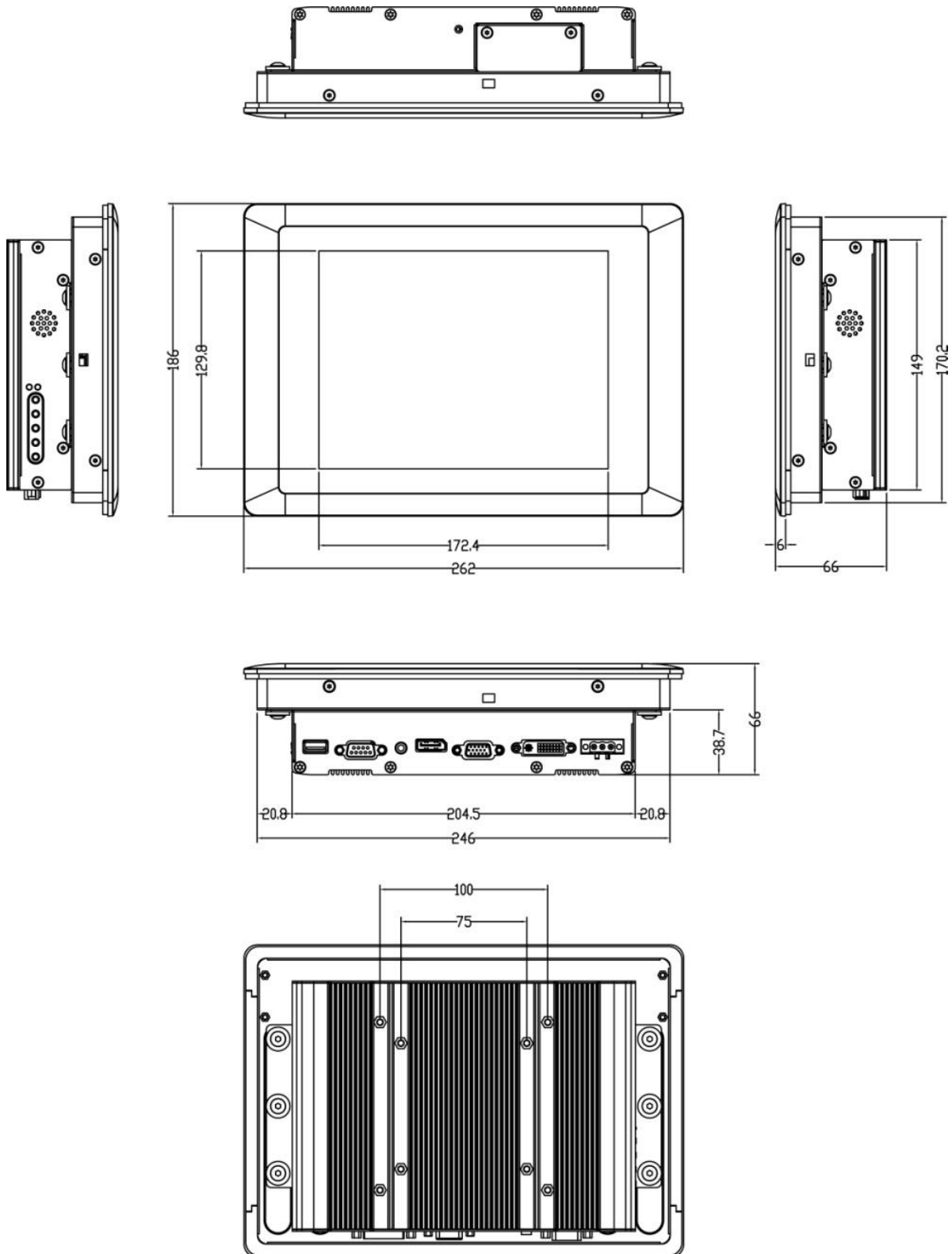
Certification

- CE
- FCC Class A

Dimension

CV-108/M1001

Unit: mm



1.1.2 CV-110/M1001

Key Features

- 10.4" TFT SVGA 4:3 LCD with Resistive 5-wire / Projected Capacitive Touch
- Designed with Aluminum Die-Casting Front Frame
- 1x USB, 1x COM, 1x VGA, 1x DVI-D, 1x DisplayPort, 1x Audio
- IP 65 Compliant Front Panel
- Support Panel / Wall / VESA Mounting
- Convertible Display System (CDS) Supported
- Built-in Two 5W Internal Speakers

Hardware Specification

Display

- LCD Size: 10.4" (4:3)
- Max. Resolution: 800 x 600
- Brightness (cd/m²): 400
- Contrast Ratio: 700 : 1
- LCD Color: 16.2M
- Pixel Pitch (mm): 0.264 (H) x 0.264 (V)
- Viewing Angle (H-V): 160 / 130
- Backlight MTBF: 70000 hrs (LED Backlight)

Touch

- Resistive 5-wire Touch for CV-110R/M1001 Only
- Projected Capacitive Touch for CV-110C/M1001 Only

I/O Ports

- 1x VGA
- 1x DVI-D
- 1x DisplayPort
- 1x Audio Input
- 1x USB 2.0
- 1x COM Port (Resistive Touch Only)

(USB & COM Port are reserved for the connection to enable touch usage only)

Other Features

- Audio: AMP 5W + 5W (Internal Speaker)
- OSD Function: LCD On/Off, Auto, Menu, Up and Down
- Multi-language OSD Function

Power

- 1x 3-pin Terminal Block Connector with Power Input 9~48VDC
- 1x Optional Power Adapter AC/DC 12V/5A, 60W

Environment

- Operating Temperature: Ambient with Air Flow: -5°C to 60°C (with Industrial Grade Peripherals)
- Storage Temperature: -20°C to 75°C
- Relative humidity: 90% RH @ 40°C (Non-Condensing)
- IP Level: IP 65 Compliant Front Panel

Physical

- Dimension (WxHxD): 295 x 227.3 x 66 mm
- Weight: 3.36 kg
- Construction Front Panel: Die-cast Flat Surface
- Mounting: Panel / Wall / VESA Mounting

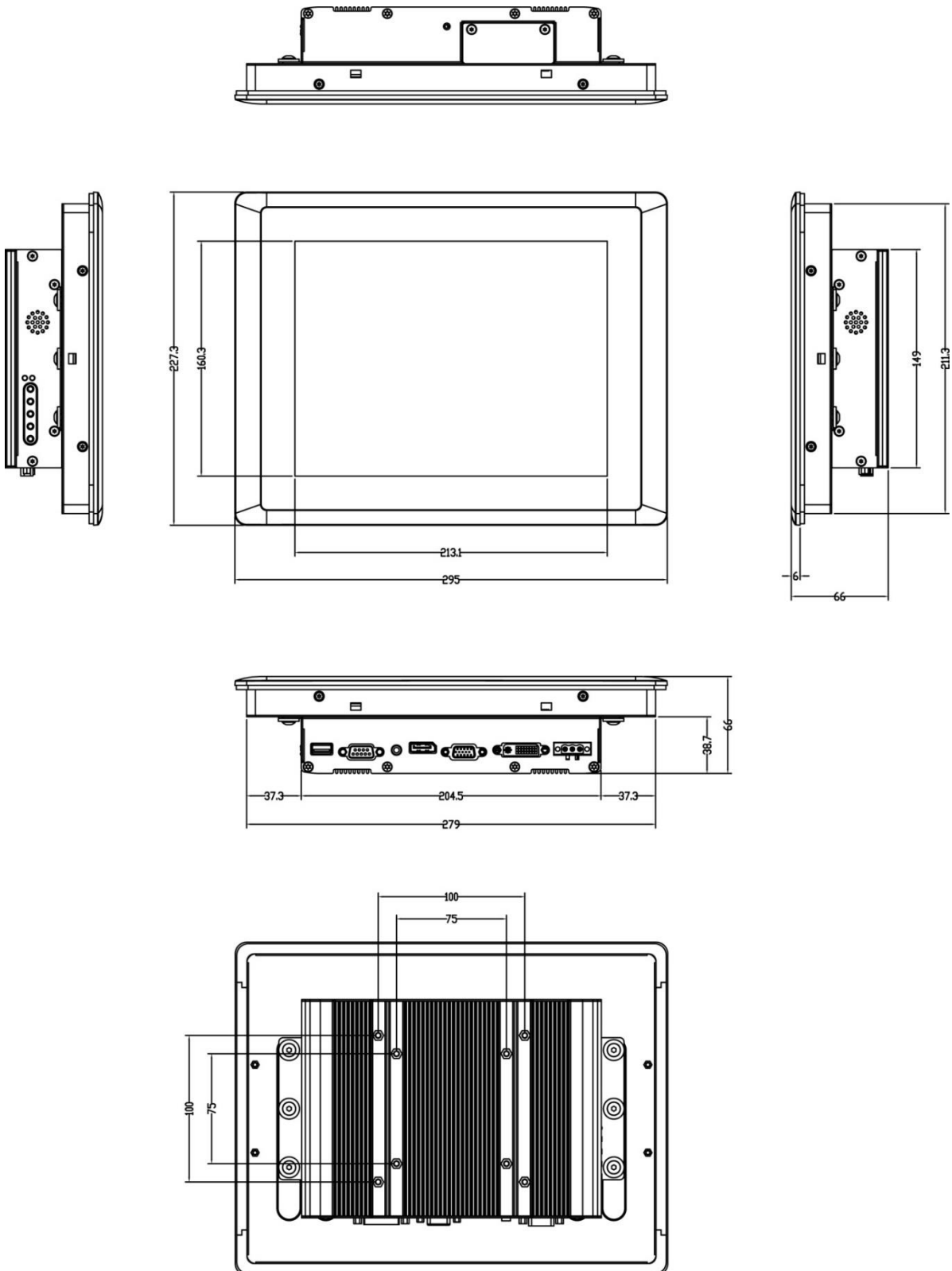
Certification

- CE
- FCC Class A

Dimension

CV-110/M1001

Unit: mm



1.1.3 CV-110H/M1001

Key Features

- 10.4" TFT XGA 4:3 LCD with Resistive 5-wire / Projected Capacitive Touch
- Designed with Aluminum Die-Casting Front Frame
- 1x USB, 1x COM, 1x VGA, 1x DVI-D, 1x DisplayPort, 1x Audio
- IP 65 Compliant Front Panel
- Support Panel / Wall / VESA Mounting
- Convertible Display System (CDS) Supported
- Built-in Two 5W Internal Speakers

Hardware Specification

Display

- LCD Size: 10.4" (4:3)
- Max. Resolution: 1024x 768
- Brightness (cd/m2): 400
- Contrast Ratio: 1400 : 1
- LCD Color: 16.2M
- Pixel Pitch (mm): 0.2055 (H) x 0.2055 (V)
- Viewing Angle (H-V): 178 / 178
- Backlight MTBF: 50000 hrs (LED Backlight)

Touch

- Resistive 5-wire Touch for CV-110HR/M1001 Only
- Projected Capacitive Touch for CV-110HC/M1001 Only

I/O Ports

- 1x VGA
- 1x DVI-D
- 1x DisplayPort
- 1x Audio Input
- 1x USB 2.0
- 1x COM Port (Resistive Touch Only)

(USB & COM Port are reserved for the connection to enable touch usage only)

Other Features

- Audio: AMP 5W + 5W (Internal Speaker)
- OSD Function: LCD On/Off, Auto, Menu, Up and Down
- Multi-language OSD Function

Power

- 1x 3-pin Terminal Block Connector with Power Input 9~48VDC
- 1x Optional Power Adapter AC/DC 12V/5A, 60W

Environment

- Operating Temperature: Ambient with Air Flow: -5°C to 60°C (with Industrial Grade Peripherals)
- Storage Temperature: -20°C to 75°C
- Relative Humidity: 90% RH @ 40°C (Non-Condensing)
- IP Level: IP 65 Compliant Front Panel

Physical

- Dimension (WxHxD): 295 x 227.3 x 66 mm
- Weight: 3.36 kg
- Construction Front Panel: Die-cast Flat Surface
- Mounting: Panel / Wall / VESA Mounting

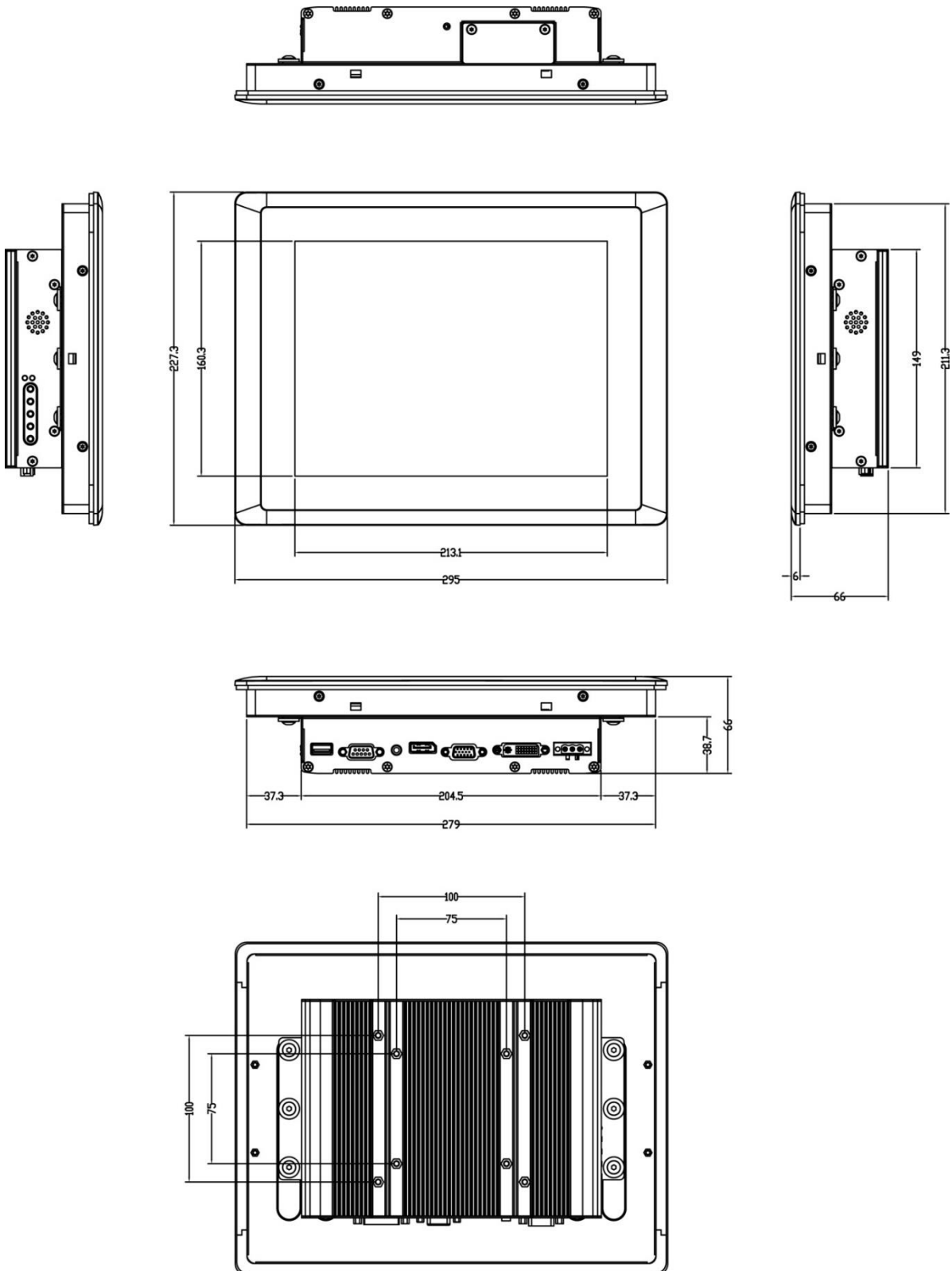
Certification

- CE
- FCC Class A

Dimension

CV-110H/M1001

Unit: mm



1.1.4 CV-112/M1001

Key Features

- 12.1" TFT SVGA 4:3 LCD with Resistive 5-wire / Projected Capacitive Touch
- Designed with Aluminum Die-Casting Front Frame
- 1x USB, 1x COM, 1x VGA, 1x DVI-D, 1x DisplayPort, 1x Audio
- IP 65 Compliant Front Panel
- Support Panel / Wall / VESA Mounting
- Convertible Display System (CDS) Supported
- Built-in Two 5W Internal Speakers

Hardware Specification

Display

- LCD Size: 12.1" (4:3)
- Max. Resolution: 800 x 600
- Brightness (cd/m²): 450
- Contrast Ratio: 800 : 1
- LCD Color: 262K
- Pixel Pitch (mm): 0.3075 (H) x 0.3075 (V)
- Viewing Angle (H-V): 160 / 140
- Backlight MTBF: 50000 hrs (LED Backlight)

Touch

- Resistive 5-wire Touch for CV-112R/M1001 Only
- Projected Capacitive Touch for CV-112C/M1001 Only

I/O Ports

- 1x VGA
- 1x DVI-D
- 1x DisplayPort
- 1x Audio Input
- 1x USB 2.0
- 1x COM Port (Resistive Touch Only)

(USB & COM Port are reserved for the connection to enable touch usage only)

Other Features

- Audio: AMP 5W + 5W (Internal Speaker)
- OSD Function: LCD On/Off, Auto, Menu, Up and Down
- Multi-language OSD Function

Power

- 1x 3-pin Terminal Block Connector with Power Input 9~48VDC
- 1x Optional Power Adapter AC/DC 12V/5A, 60W

Environment

- Operating Temperature: Ambient with Air Flow: -5°C to 60°C (with Industrial Grade Peripherals)
- Storage Temperature: -20°C to 75°C
- Relative humidity: 90% RH @ 40°C (Non-Condensing)
- IP Level: IP 65 Compliant Front Panel

Physical

- Dimension (WxHxD): 345 x 265.3 x 66.5 mm
- Weight: 4.28 kg
- Construction Front Panel: Die-cast Flat Surface
- Mounting: Panel / Wall / VESA Mounting

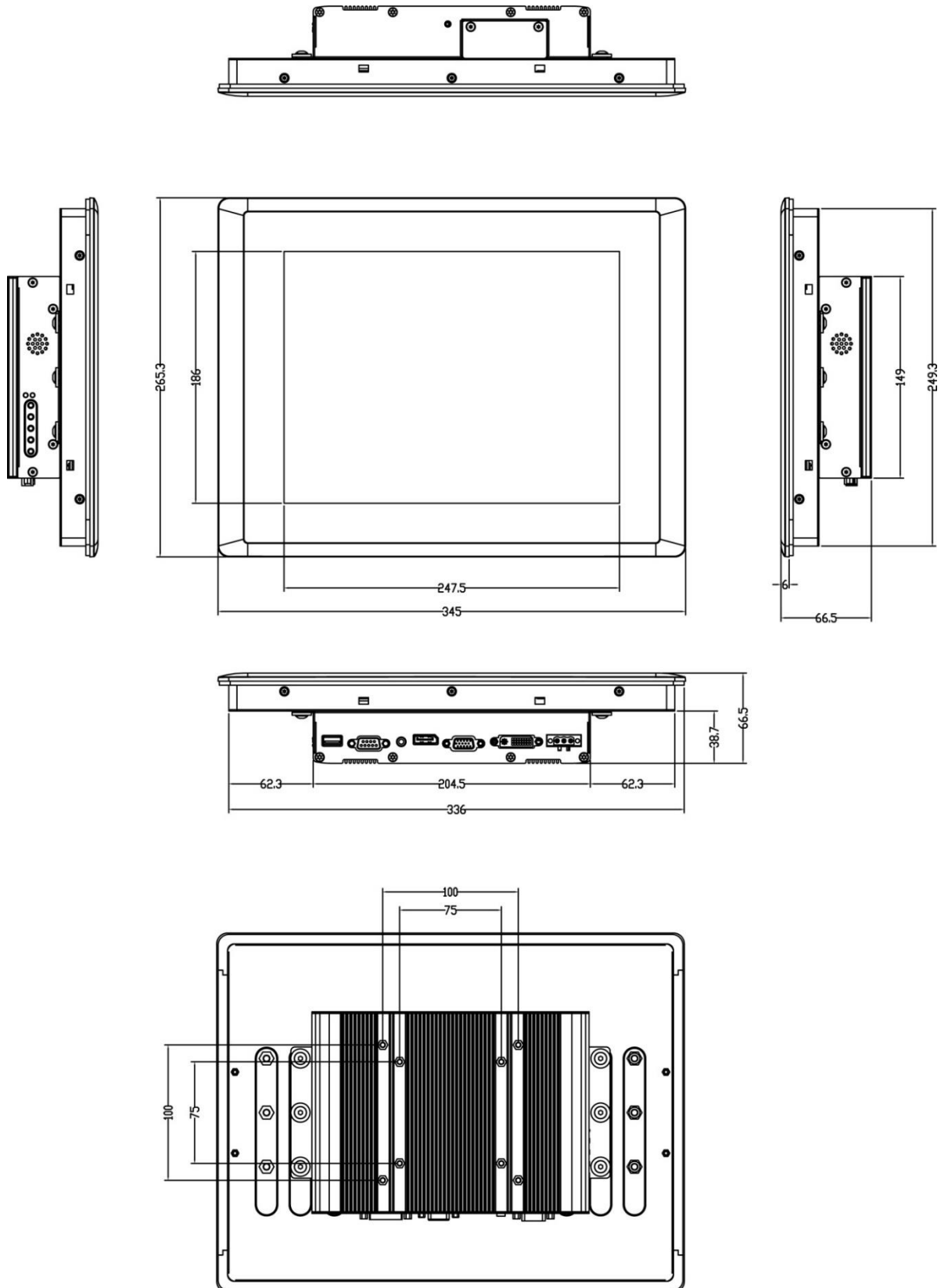
Certification

- CE
- FCC Class A

Dimension

CV-112/M1001

Unit: mm



1.1.5 CV-112H/M1001

Key Features

- 12.1" TFT XGA 4:3 LCD with Resistive 5-wire / Projected Capacitive Touch
- Designed with Aluminum Die-Casting Front Frame
- 1x USB, 1x COM, 1x VGA, 1x DVI-D, 1x DisplayPort, 1x Audio
- IP 65 Compliant Front Panel
- Support Panel / Wall / VESA Mounting
- Convertible Display System (CDS) Supported
- Built-in Two 5W Internal Speakers

Hardware Specification

Display

- LCD Size: 12.1" (4:3)
- Max. Resolution: 1024x 768
- Brightness (cd/m2): 500
- Contrast Ratio: 700 : 1
- LCD Color: 16.2M
- Pixel Pitch (mm): 0.24 (H) x 0.24 (V)
- Viewing Angle (H-V): 160 / 160
- Backlight MTBF: 30000 hrs (LED Backlight)

Touch

- Resistive 5-wire Touch for CV-112HR/M1001 Only
- Projected Capacitive Touch for CV-112HC/M1001 Only

I/O Ports

- 1x VGA
- 1x DVI-D
- 1x DisplayPort
- 1x Audio Input
- 1x USB 2.0
- 1x COM Port (Resistive Touch Only)

(USB & COM Port are reserved for the connection to enable touch usage only)

Other Features

- Audio: AMP 5W + 5W (Internal Speaker)
- OSD Function: LCD On/Off, Auto, Menu, Up and Down
- Multi-language OSD Function

Power

- 1x 3-pin Terminal Block Connector with Power Input 9~48VDC
- 1x Optional Power Adapter AC/DC 12V/5A, 60W

Environment

- Operating Temperature: Ambient with Air Flow: -5°C to 60°C (with Industrial Grade Peripherals)
- Storage Temperature: -20°C to 75°C
- Relative Humidity: 90% RH @ 40°C (Non-Condensing)
- IP Level: IP 65 Compliant Front Panel

Physical

- Dimension (WxHxD): 345 x 265.3 x 66.5 mm
- Weight: 4.28 kg
- Construction Front Panel: Die-cast Flat Surface
- Mounting: Panel / Wall / VESA Mounting

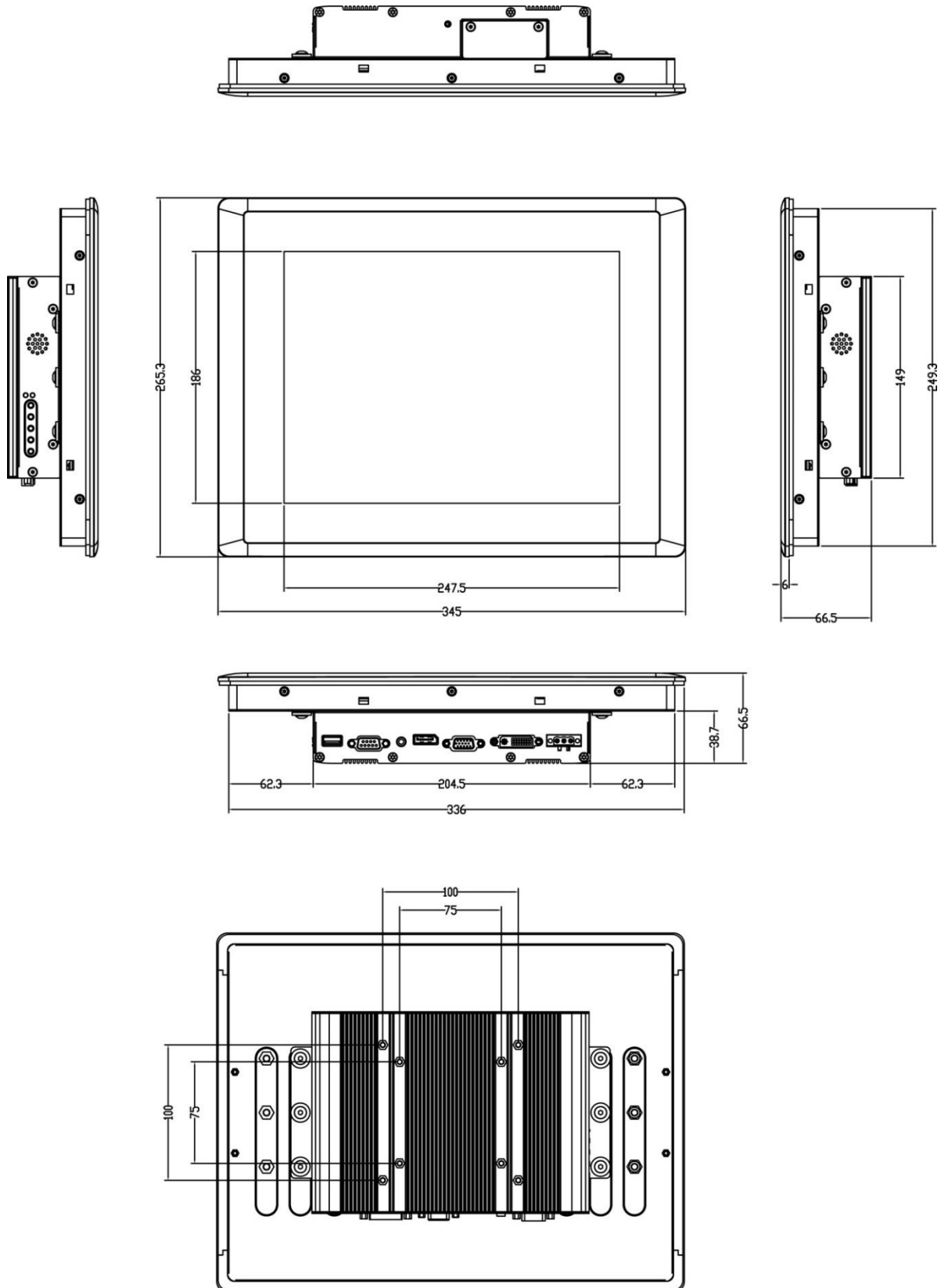
Certification

- CE
- FCC Class A

Dimension

CV-112H/M1001

Unit: mm



1.1.6 CV-115/M1001

Key Features

- 15" TFT XGA 4:3 LCD with Resistive 5-wire / Projected Capacitive Touch
- Designed with Aluminum Die-Casting Front Frame
- 1x USB, 1x COM, 1x VGA, 1x DVI-D, 1x DisplayPort, 1x Audio
- IP 65 Compliant Front Panel
- Support Panel / Wall / VESA Mounting
- Convertible Display System (CDS) Supported
- Built-in Two 5W Internal Speakers

Hardware Specification

Display

- LCD Size: 15" (4:3)
- Max. Resolution: 1024 x 768
- Brightness (cd/m²): 350
- Contrast Ratio: 700 : 1
- LCD Color: 16.2M
- Pixel Pitch (mm): 0.297 (H) x 0.297 (V)
- Viewing Angle (H-V): 170 / 160
- Backlight MTBF: 50000 hrs (LED Backlight)

Touch

- Resistive 5-wire Touch for CV-115R/M1001 Only
- Projected Capacitive Touch for CV-115C/M1001 Only

I/O Ports

- 1x VGA
- 1x DVI-D
- 1x DisplayPort
- 1x Audio Input
- 1x USB 2.0
- 1x COM Port (Resistive Touch Only)

(USB & COM Port are reserved for the connection to enable touch usage only)

Other Features

- Audio: AMP 5W + 5W (Internal Speaker)
- OSD Function: LCD On/Off, Auto, Menu, Up and Down
- Multi-language OSD Function

Power

- 1x 3-pin Terminal Block Connector with Power Input 9~48VDC
- 1x Optional Power Adapter AC/DC 12V/5A, 60W

Environment

- Operating Temperature: Ambient with Air Flow: 0°C to 60°C (with Industrial Grade Peripherals)
- Storage Temperature: -20°C to 65°C
- Relative humidity: 80% RH @ 50°C (Non-Condensing)
- IP Level: IP 65 Compliant Front Panel

Physical

- Dimension (WxHxD): 408 x 312.4 x 69 mm
- Weight: 5.48 kg
- Construction Front Panel: Die-cast Flat Surface
- Mounting: Panel / Wall / VESA Mounting

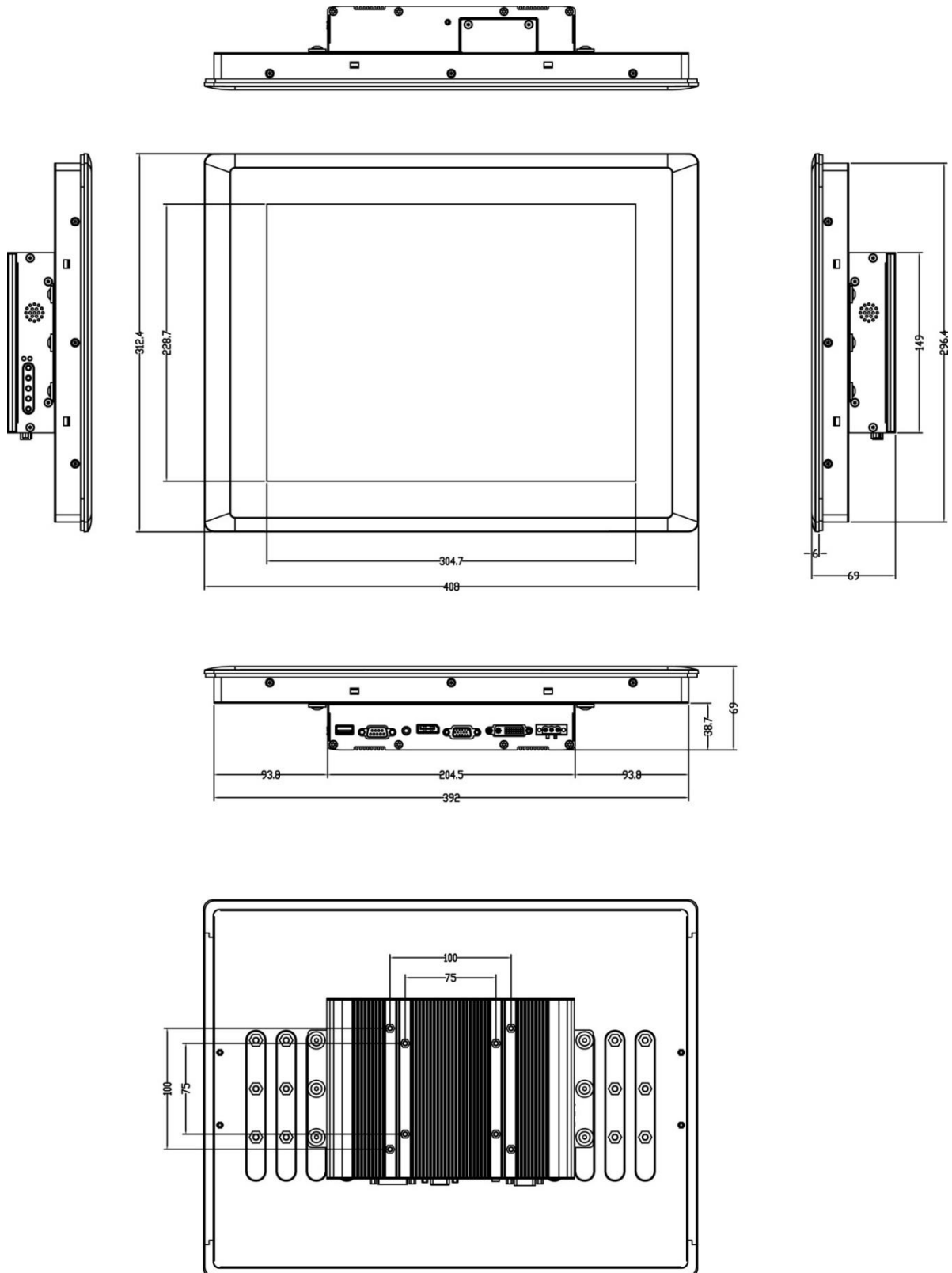
Certification

- CE
- FCC Class A

Dimension

CV-115/M1001

Unit: mm



1.1.7 CV-W115/M1001

Key Features

- 15.6" TFT WXGA 16:9 LCD with Resistive 5-wire / Projected Capacitive Touch
- Designed with Aluminum Die-Casting Front Frame
- 1x USB, 1x COM, 1x VGA, 1x DVI-D, 1x DisplayPort, 1x Audio
- IP 65 Compliant Front Panel
- Support Panel / Wall / VESA Mounting
- Convertible Display System (CDS) Supported
- Built-in Two 5W Internal Speakers

Hardware Specification

Display

- LCD Size: 15.6" (16:9)
- Max. Resolution: 1366 x 768
- Brightness (cd/m²): 400
- Contrast Ratio: 500 : 1
- LCD Color: 16.2M
- Pixel Pitch (mm): 0.252 (H) x 0.252 (V)
- Viewing Angle (H-V): 170 / 160
- Backlight MTBF: 50000 hrs (LED Backlight)

Touch

- Resistive 5-wire Touch for CV-W115R/M1001 Only
- Projected Capacitive Touch for CV-W115C/M1001 Only

I/O Ports

- 1x VGA
- 1x DVI-D
- 1x DisplayPort
- 1x Audio Input
- 1x USB 2.0
- 1x COM Port (Resistive Touch Only)

(USB & COM Port are reserved for the connection to enable touch usage only)

Other Features

- Audio: AMP 5W + 5W (Internal Speaker)
- OSD Function: LCD On/Off, Auto, Menu, Up and Down
- Multi-language OSD Function

Power

- 1x 3-pin Terminal Block Connector with Power Input 9~48VDC
- 1x Optional Power Adapter AC/DC 12V/5A, 60W

Environment

- Operating Temperature: Ambient with Air Flow: 0°C to 60°C (with Industrial Grade Peripherals)
- Storage Temperature: -20°C to 60°C
- Relative humidity: 80% RH @ 50°C (Non-Condensing)
- IP Level: IP 65 Compliant Front Panel

Physical

- Dimension (WxHxD): 420 x 254 x 76 mm
- Weight: 5.37 kg
- Construction Front Panel: Die-cast Flat Surface
- Mounting: Panel / Wall / VESA Mounting

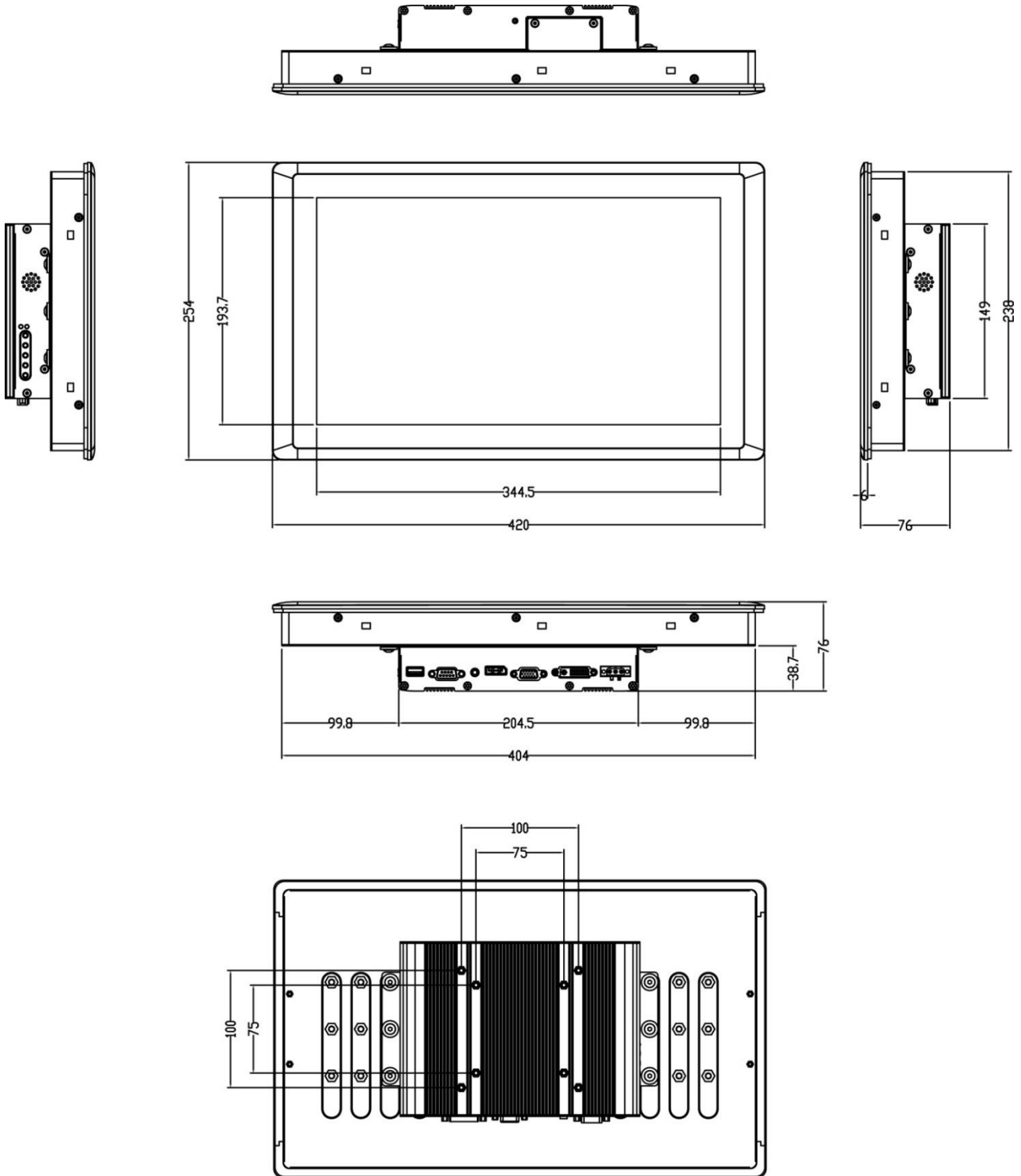
Certification

- CE
- FCC Class A

Dimension

CV-W115/M1001

Unit: mm



1.1.8 CV-117/M1001

Key Features

- 17" TFT SXGA 5:4 LCD with Resistive 5-wire / Projected Capacitive Touch
- Designed with Aluminum Die-Casting Front Frame
- 1x USB, 1x COM, 1x VGA, 1x DVI-D, 1x DisplayPort, 1x Audio
- IP 65 Compliant Front Panel
- Support Panel / Wall / VESA Mounting
- Convertible Display System (CDS) Supported
- Built-in Two 5W Internal Speakers

Hardware Specification

Display

- LCD Size: 17" (5:4)
- Max. Resolution: 1280 x 1024
- Brightness (cd/m²): 350
- Contrast Ratio: 800 : 1
- LCD Color: 16.7M
- Pixel Pitch (mm): 0.264 (H) x 0.264 (V)
- Viewing Angle (H-V): 160 / 140
- Backlight MTBF: 50000 hrs (LED Backlight)

Touch

- Resistive 5-wire Touch for CV-117R/M1001 Only
- Projected Capacitive Touch for CV-117C/M1001 Only

I/O Ports

- 1x VGA
- 1x DVI-D
- 1x DisplayPort
- 1x Audio Input
- 1x USB 2.0
- 1x COM Port (Resistive Touch Only)

(USB & COM Port are reserved for the connection to enable touch usage only)

Other Features

- Audio: AMP 5W + 5W (Internal Speaker)
- OSD Function: LCD On/Off, Auto, Menu, Up and Down
- Multi-language OSD Function

Power

- 1x 3-pin Terminal Block Connector with Power Input 9~48VDC
- 1x Optional Power Adapter AC/DC 12V/5A, 60W

Environment

- Operating Temperature: Ambient with Air Flow: -5°C to 60°C (with Industrial Grade Peripherals)
- Storage Temperature: -20°C to 75°C
- Relative humidity: 80% RH @ 50°C (Non-Condensing)
- IP Level: IP 65 Compliant Front Panel

Physical

- Dimension (WxHxD): 450 x 350 x 73 mm
- Weight: 6.76 kg
- Construction Front Panel: Die-cast Flat Surface
- Mounting: Panel / Wall / VESA Mounting

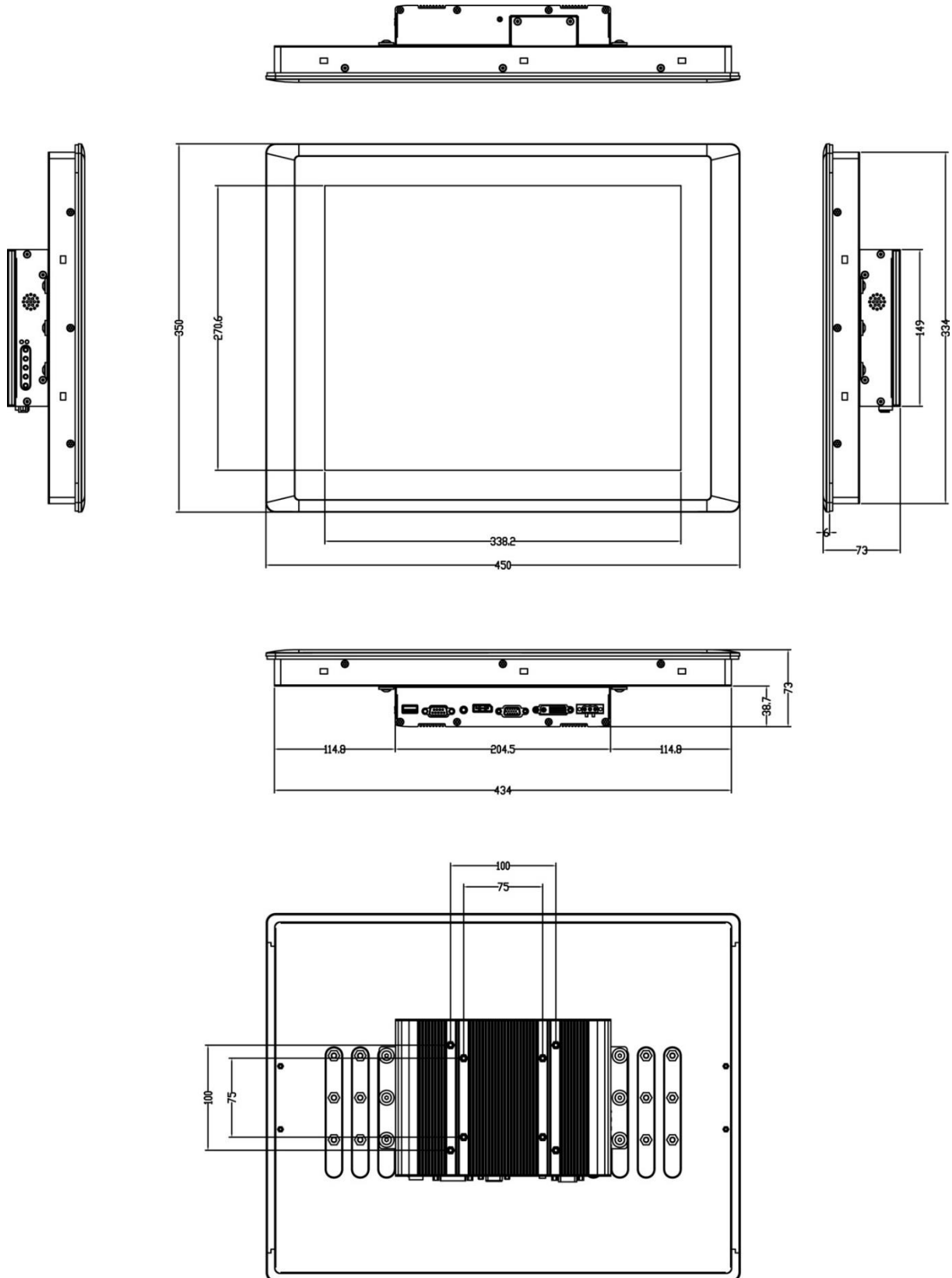
Certification

- CE
- FCC Class A

Dimension

CV-117/M1001

Unit: mm



1.1.9 CV-119/M1001

Key Features

- 19" TFT SXGA 5:4 LCD with Resistive 5-wire / Projected Capacitive Touch
- Designed with Aluminum Die-Casting Front Frame
- 1x USB, 1x COM, 1x VGA, 1x DVI-D, 1x DisplayPort, 1x Audio
- IP 65 Compliant Front Panel
- Support Panel / Wall / VESA Mounting
- Convertible Display System (CDS) Supported
- Built-in Two 5W Internal Speakers

Hardware Specification

Display

- LCD Size: 19" (5:4)
- Max. Resolution: 1280 x 1024
- Brightness (cd/m²): 350
- Contrast Ratio: 1000 : 1
- LCD Color: 16.7M
- Pixel Pitch (mm): 0.294 (H) x 0.294 (V)
- Viewing Angle (H-V): 170 / 160
- Backlight MTBF: 50000 hrs (LED Backlight)

Touch

- Resistive 5-wire Touch for CV-119R/M1001 Only
- Projected Capacitive Touch for CV-119C/M1001 Only

I/O Ports

- 1x VGA
- 1x DVI-D
- 1x DisplayPort
- 1x Audio Input
- 1x USB 2.0
- 1x COM Port (Resistive Touch Only)

(USB & COM Port are reserved for the connection to enable touch usage only)

Other Features

- Audio: AMP 5W + 5W (Internal Speaker)
- OSD Function: LCD On/Off, Auto, Menu, Up and Down
- Multi-language OSD Function

Power

- 1x 3-pin Terminal Block Connector with Power Input 9~48VDC
- 1x Optional AC/DC 12V/5A, 60W Power Adapter

Environment

- Operating Temperature: Ambient with Air Flow: 0°C to 50°C (with Industrial Grade Peripherals)
- Storage Temperature: -20°C to 60°C
- Relative humidity: 80% RH @ 50°C (Non-Condensing)
- IP Level: IP 65 Compliant Front Panel

Physical

- Dimension (WxHxD): 510 x 389.3 x 73 mm
- Weight: 8.08 kg
- Construction Front Panel: Die-cast Flat Surface
- Mounting: Panel / Wall / VESA Mounting

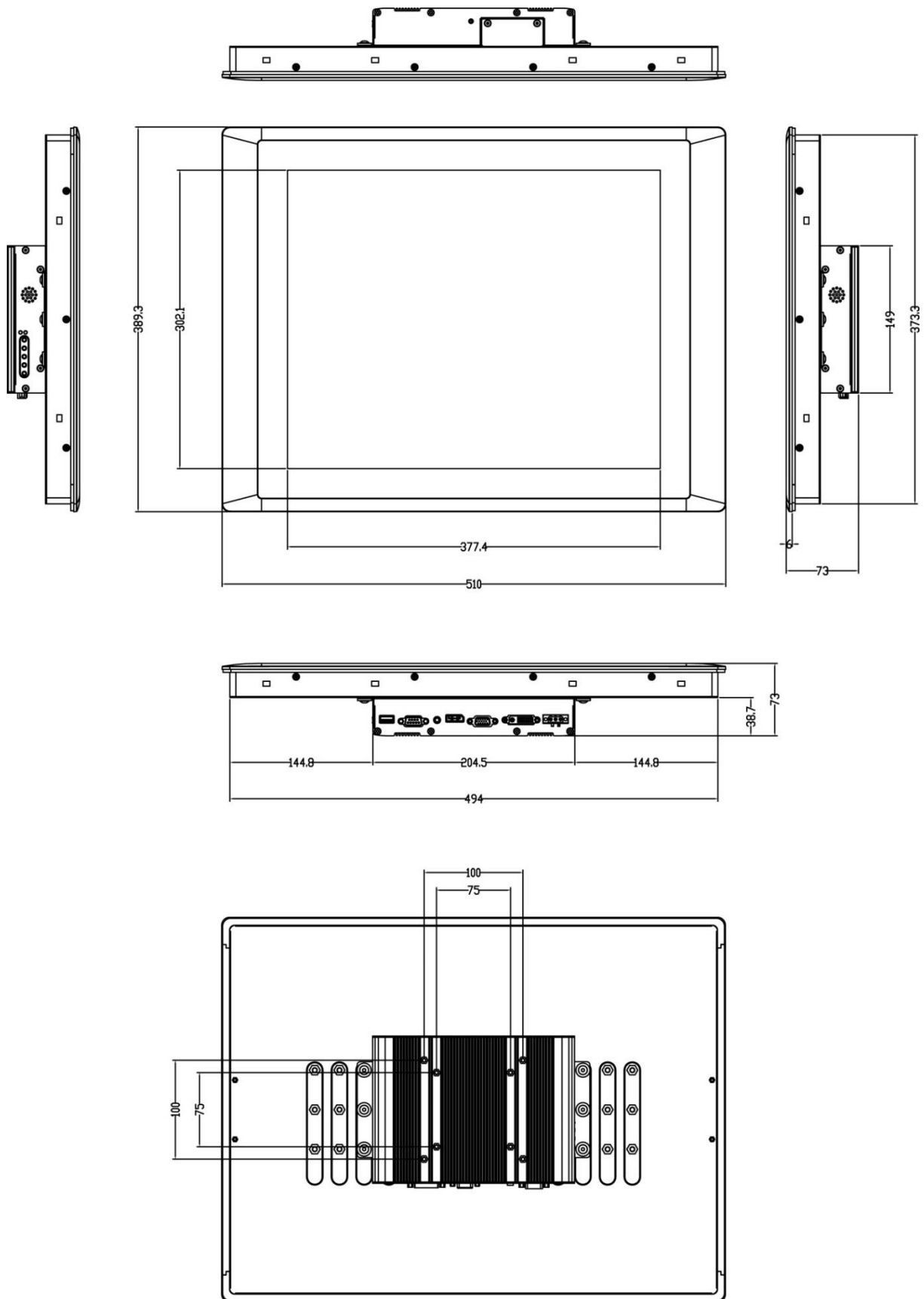
Certification

- CE
- FCC Class A

Dimension

CV-119/M1001

Unit: mm



1.1.10 CV-W121/M1001

Key Features

- 21.5" TFT Full HD 16:9 LCD with Resistive 5-wire / Projected Capacitive Touch
- Designed with Aluminum Die-Casting Front Frame
- 1x USB, 1x COM, 1x VGA, 1x DVI-D, 1x DisplayPort, 1x Audio
- IP 65 Compliant Front Panel
- Support Panel / Wall / VESA Mounting
- Convertible Display System (CDS) Supported
- Built-in Two 5W Internal Speakers

Hardware Specification

Display

- LCD Size: 21.5" (16:9)
- Max. Resolution: 1920 x 1080
- Brightness (cd/m²): 300
- Contrast Ratio: 5000 : 1
- LCD Color: 16.7M
- Pixel Pitch (mm): 0.24825 (H) x 0.24825 (V)
- Viewing Angle (H-V): 178 / 178
- Backlight MTBF: 50000 hrs (LED Backlight)

Touch

- Resistive 5-wire Touch for CV-W121R/M1001 Only
- Projected Capacitive Touch for CV-W121C/M1001 Only

I/O Ports

- 1x VGA
- 1x DVI-D
- 1x DisplayPort
- 1x Audio Input
- 1x USB 2.0
- 1x COM Port (Resistive Touch Only)

(USB & COM Port are reserved for the connection to enable touch usage only)

Other Features

- Audio: AMP 5W + 5W (Internal Speaker)
- OSD Function: LCD On/Off, Auto, Menu, Up and Down
- Multi-language OSD Function

Power

- 1x 3-pin Terminal Block Connector with Power Input 9~48VDC
- 1x Optional Power Adapter AC/DC 12V/5A, 60W

Environment

- Operating Temperature: Ambient with Air Flow: 0°C to 60°C (with Industrial Grade Peripherals)
- Storage Temperature: -20°C to 60°C
- Relative humidity: 80% RH @ 50°C (Non-Condensing)
- IP Level: IP 65 Compliant Front Panel

Physical

- Dimension (WxHxD): 550 x 330.5 x 73 mm
- Weight: 6.68 kg
- Construction Front Panel: Die-cast Flat Surface
- Mounting: Panel / Wall / VESA Mounting

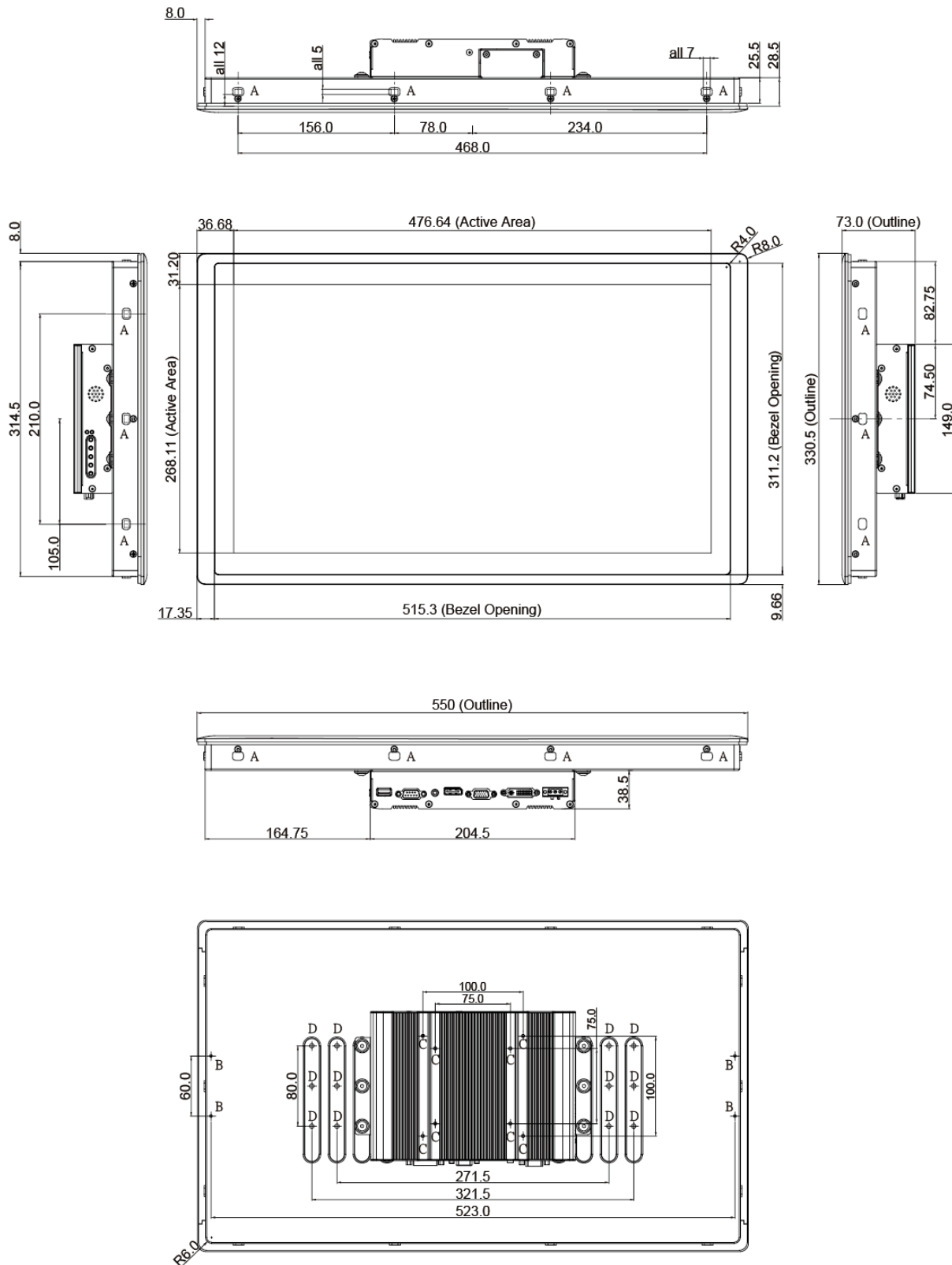
Certification

- CE
- FCC Class A

Dimension

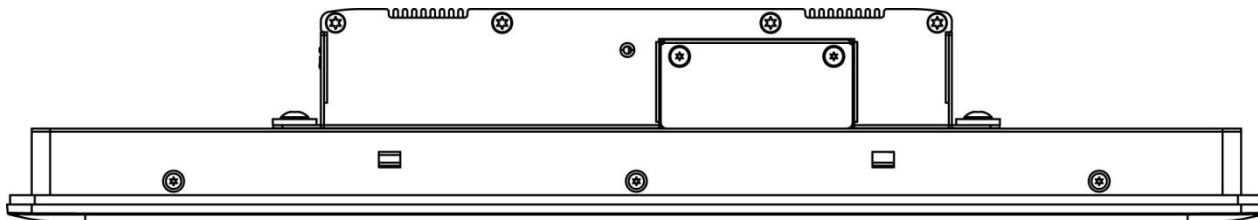
CV-W121/M1001

Unit: mm



1.2 System I/O

1.2.1 Front



1.2.2 Rear

DC IN

Used to plug a DC power input with terminal block.

VGA

Use the rear panel standard 15-pin female VGA connector to connect the monitor to the system graphics interface.

DVI-D

This 24-pin port is for PC (Personal Computer) DVI-D digital signal connection.

DisplayPort

The DisplayPort connector connects to a display device with DisplayPort interface.

Audio-in

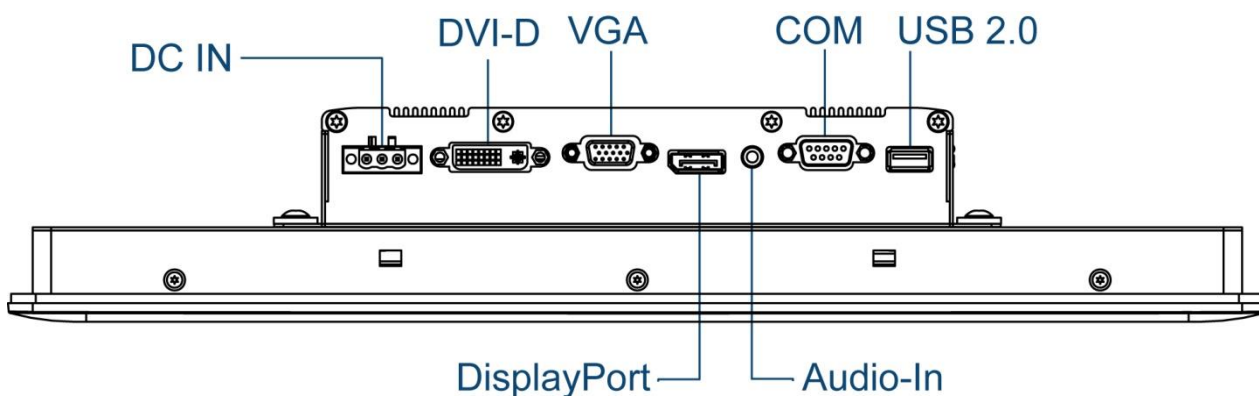
This port connects PC audio source by the bundled audio cable.

USB for Touch Panel Connector

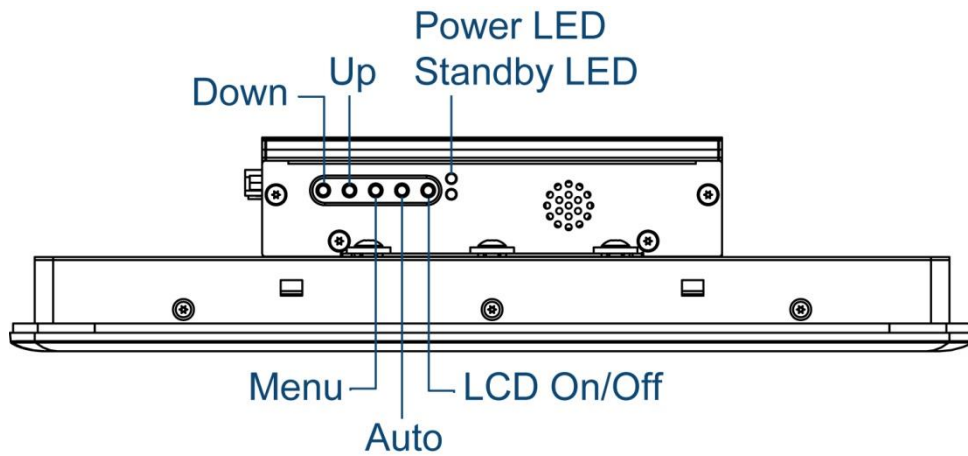
Use the rear panel standard USB touch panel connector to connect the monitor to the system interface.

COM Port for Touch Panel Connector (Resistive Touch Only)

Use the rear panel standard RS-232 DB-9 female touch panel connector to connect the monitor to the system interface.



1.2.3 Side (Left)



1.2.4 Side (Right)

OSD (On Screen Display) Function: LCD On/Off

Press to turn-on or turn-off the display.

Auto

Press to auto adjust the optimal frequency of horizontal and vertical.

Menu

Press this button to turn on/off the OSD main menu.
Press this button to activate selected items.

Up

To increase the value of selected item.

Down

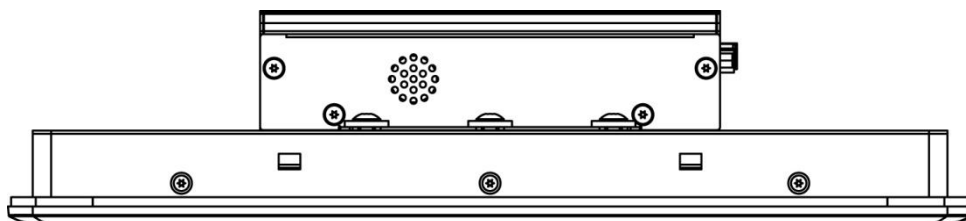
To decrease the value of selected item.

Power LED

Indicates the power status of the monitor.

Stand by LED

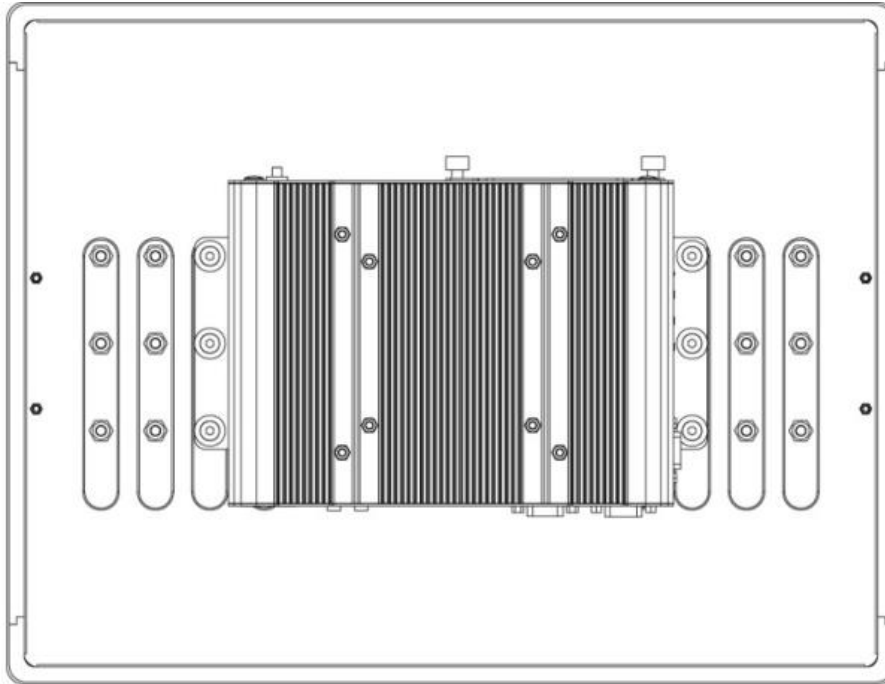
Indicates the stand by mode of the monitor.



1.2.5 Top

VESA Mounting Hole

These are mounting holes for VESA mount (75x75mm and 100x100mm)





Chapter 2

OSD Operation

2.1 OSD Function Description

OSD Menu	Description
 <p data-bbox="384 685 564 719">Luminance</p>	<ul data-bbox="810 472 1158 667" style="list-style-type: none"> • Brightness • Contrast • Gamma • SuperResolution
 <p data-bbox="416 1016 533 1050">Picture</p>	<ul data-bbox="810 801 1062 996" style="list-style-type: none"> • Phase • Clock • H. Position • V. Position
 <p data-bbox="429 1348 520 1382">Color</p>	<ul data-bbox="810 1131 1190 1326" style="list-style-type: none"> • Color Temperature • Red • Green • Blue
 <p data-bbox="360 1677 588 1711">OSD Settings</p>	<ul data-bbox="810 1460 1126 1655" style="list-style-type: none"> • Horizontal • Vertical • Transparency • OSD Time Out
 <p data-bbox="426 2002 528 2036">Setup</p>	<ul data-bbox="810 1794 1046 1989" style="list-style-type: none"> • Language • Mute • Input • Reset



Chapter 3

System Setup

3.1 Connecting with CV Display Module



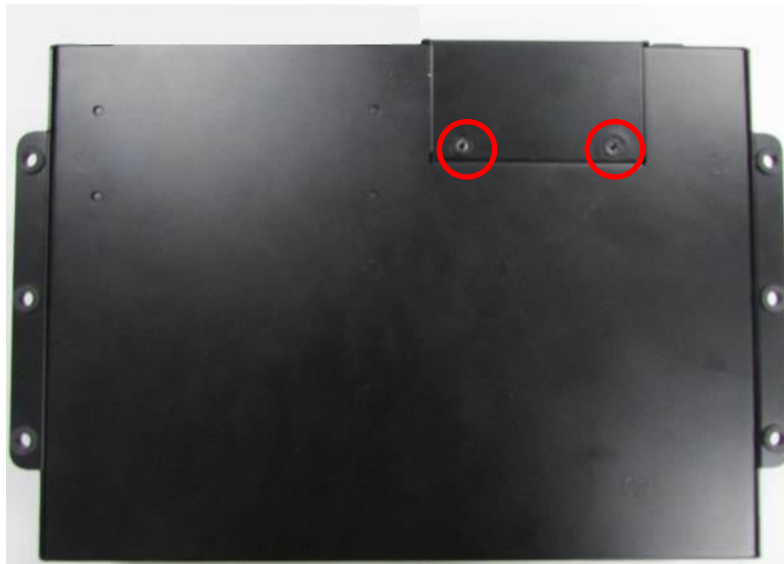
WARNING

In order to prevent electric shock or system damage, before removing the chassis cover, please turn off power and disconnect the unit from the power source.

1. Locate the module connector slot and loosen 1 screw.



2. Turn over the module and loose 2 screws at the back of the connector cover.



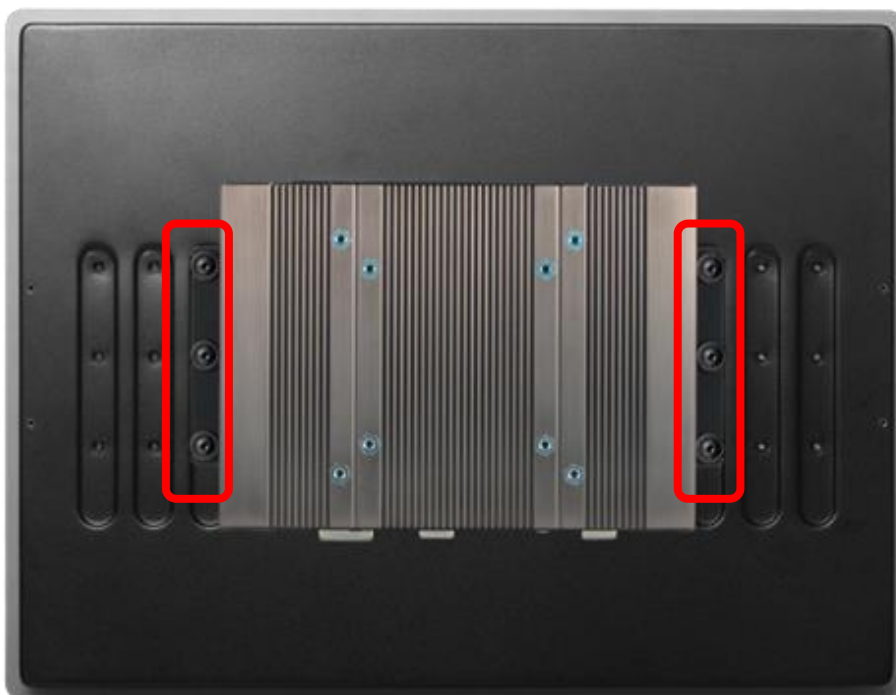
The photos shows the male connector (on display module) and female connector (on PC module)



3. Connect the modules.



4. Have the studs screwed to the display module through the holes of the PC module.



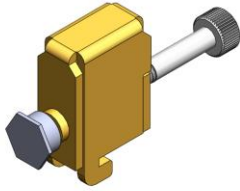


Appendix

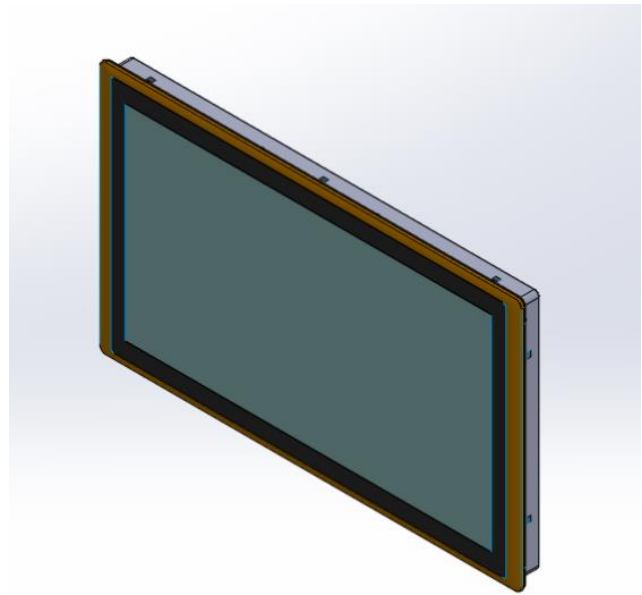
Panel Mount Procedures

A.1 Mounting Solution Guide For Panel Mount

1. Accessories provided by Cincoze are as follows.



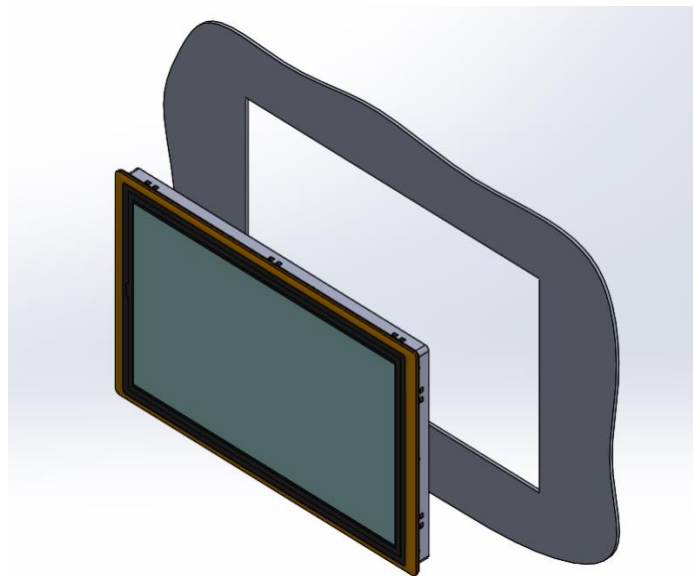
Mounting Kits



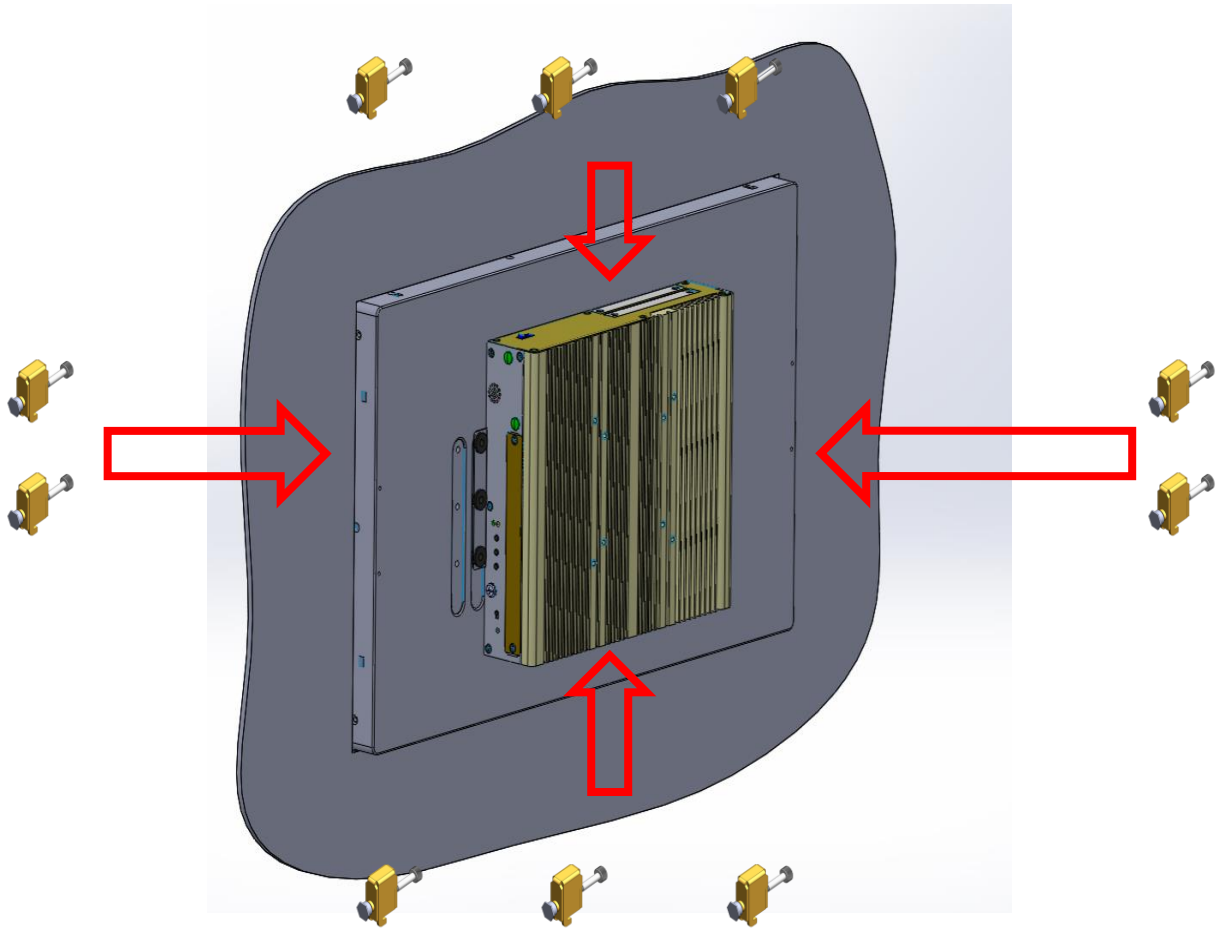
Panel Mount PPC

Before assembly, please prepare panel mount PPC and customer's fixture.

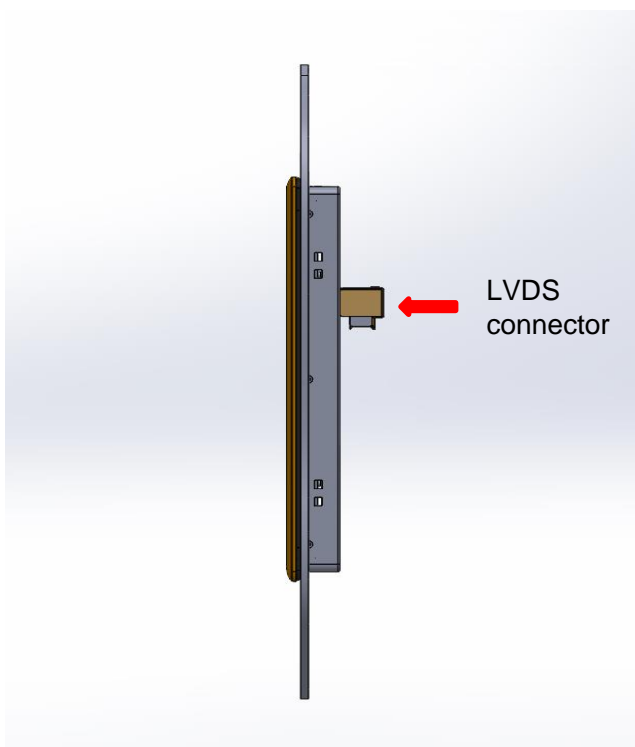
Panel Mount with customer's fixture
(Front View)



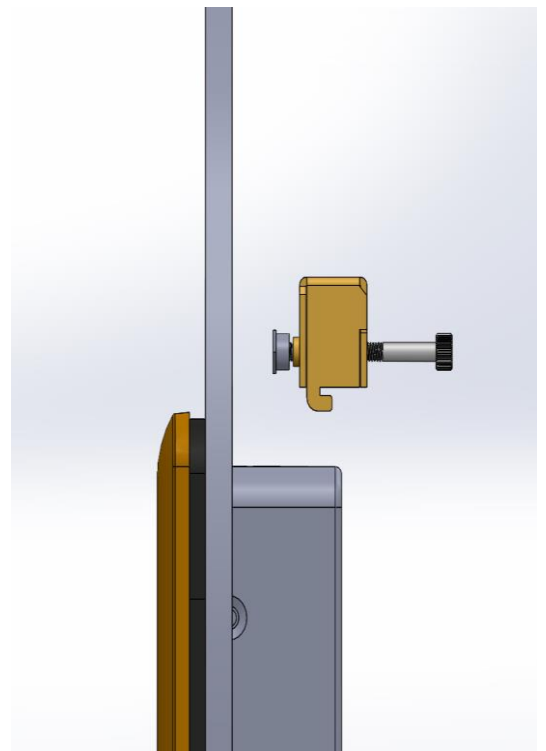
2. All mounting kits displayed are to be inserted into holes.



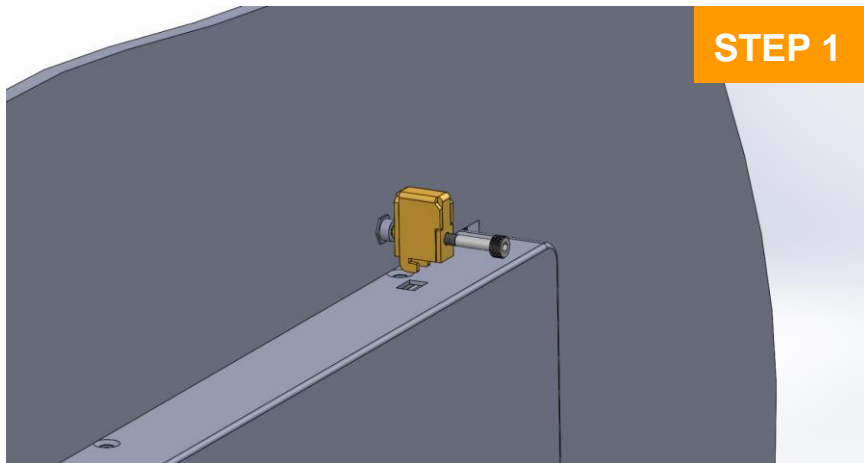
3. Installation preparation and steps.



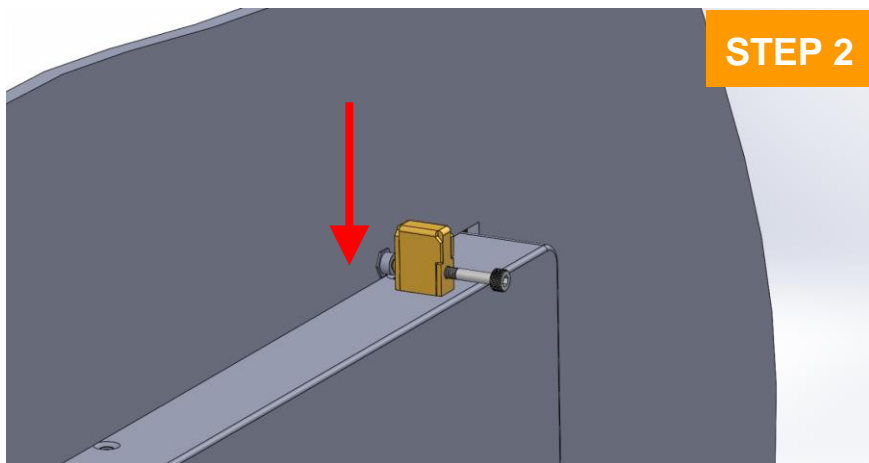
Panel mount side view with LVDS connector of CV series



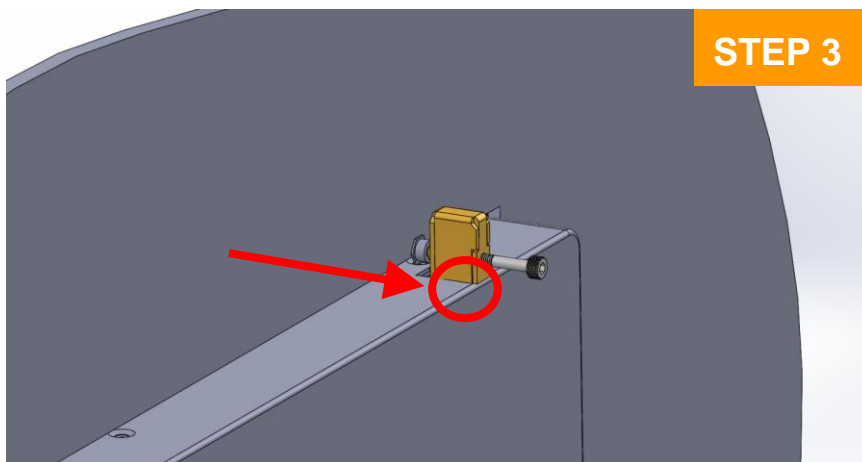
Before Mounting Kits are installed



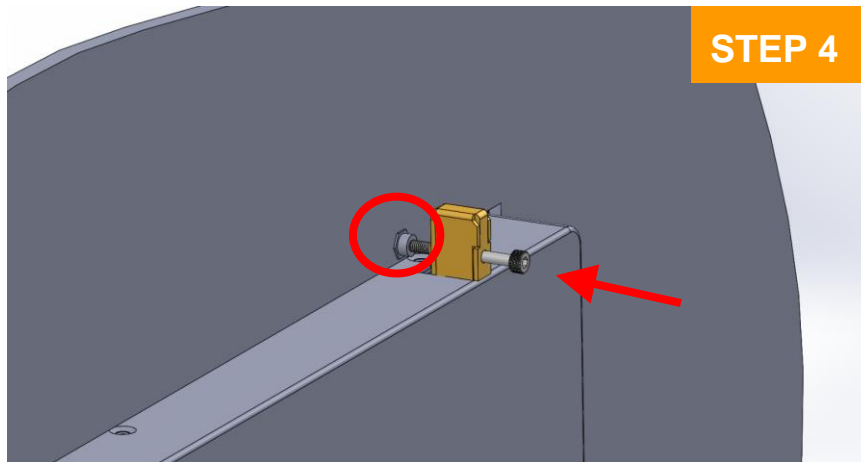
Position panel mount kits



Insert the panel mounting kit into bottom hole

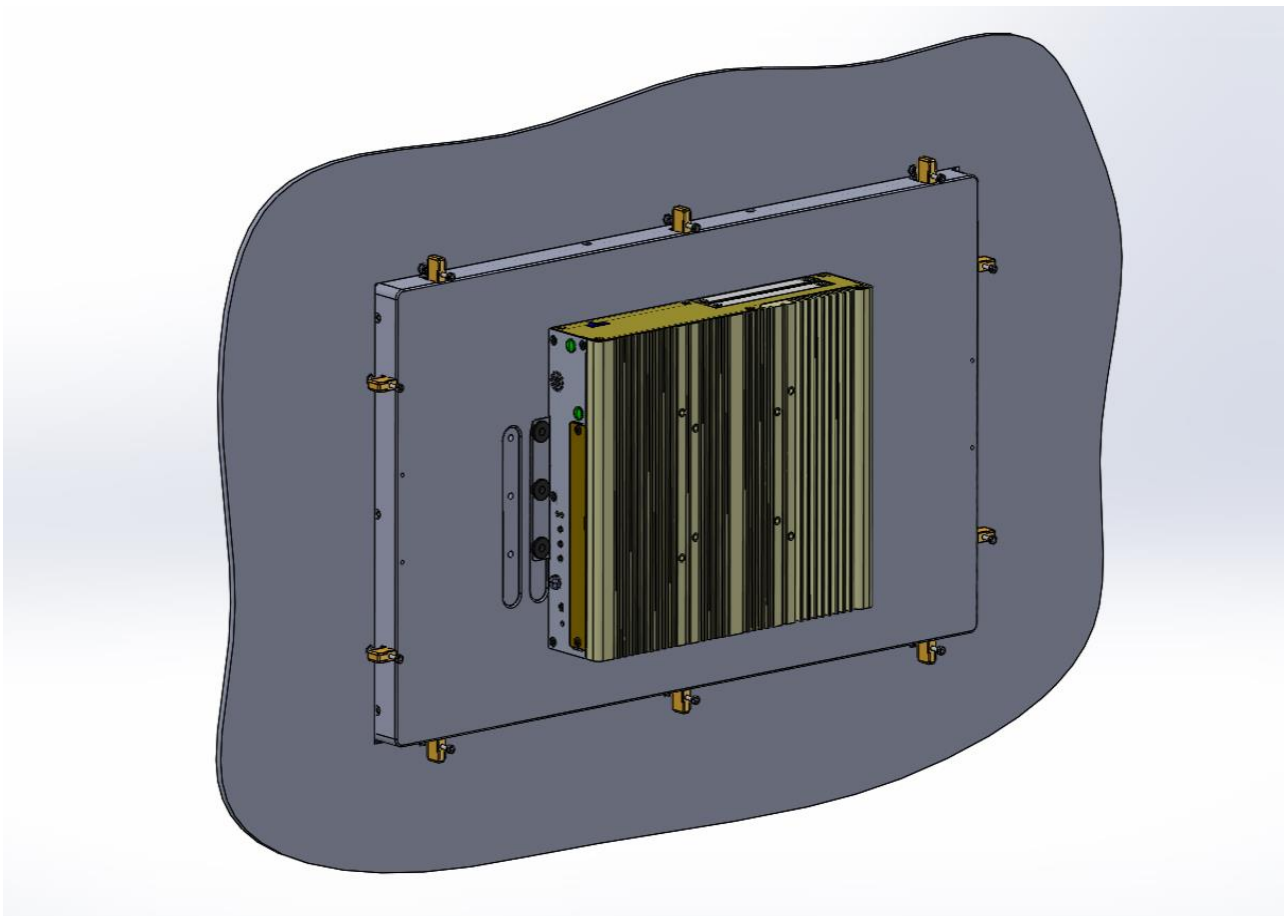


Slide the kit toward back



Tighten the screw forward until the front screw just touches the surface

4. Apply all mount kits to the rest of holes. And you have completed the panel mount installation, as shown below.





www.cincoze.com

© 2014 Cincoze Co., Ltd. All rights reserved.

The Cincoze logo is a registered trademark of Cincoze Co., Ltd.

All other logos appearing in this catalog are the intellectual property of the respective company, product, or organization associated with the logo.

All product specifications and information are subject to change without notice.