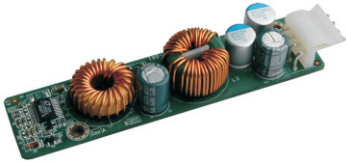
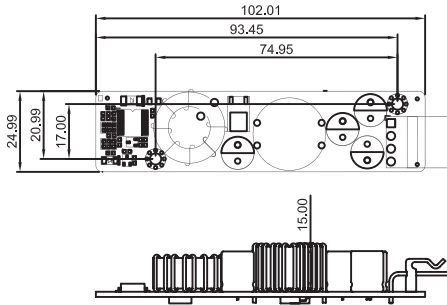


IDD-936160 DC/DC Converter Module



Dimensions (Unit: mm)



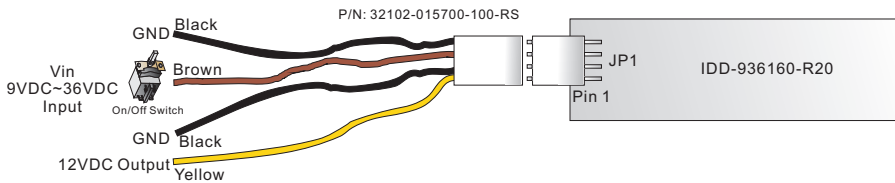
Input Voltage Range

9 V DC ~ 36 V DC

Output Capacity

12 V @ 5 A
Total output 60 watts

Physical Connection



JP1 Connector Pinouts

PIN NO.	DESCRIPTION
1	12 V DC Output
2	GND
3	Vin (9 V~36 V DC Input)
4	GND

Copyright Notice

The information in this document is subject to change without prior notice in order to improve reliability, design, and function and does not represent a commitment on the part of the manufacturer.

In no event will the manufacturer be liable for direct, indirect, special, incidental, or consequential damages arising out of the use or inability to use the product or documentation, even if advised of the possibility of such damages.

This document contains proprietary information protected by copyright. All rights are reserved. No part of this manual may be reproduced by any mechanical, electronic, or other means in any form without prior written permission of the manufacturer.