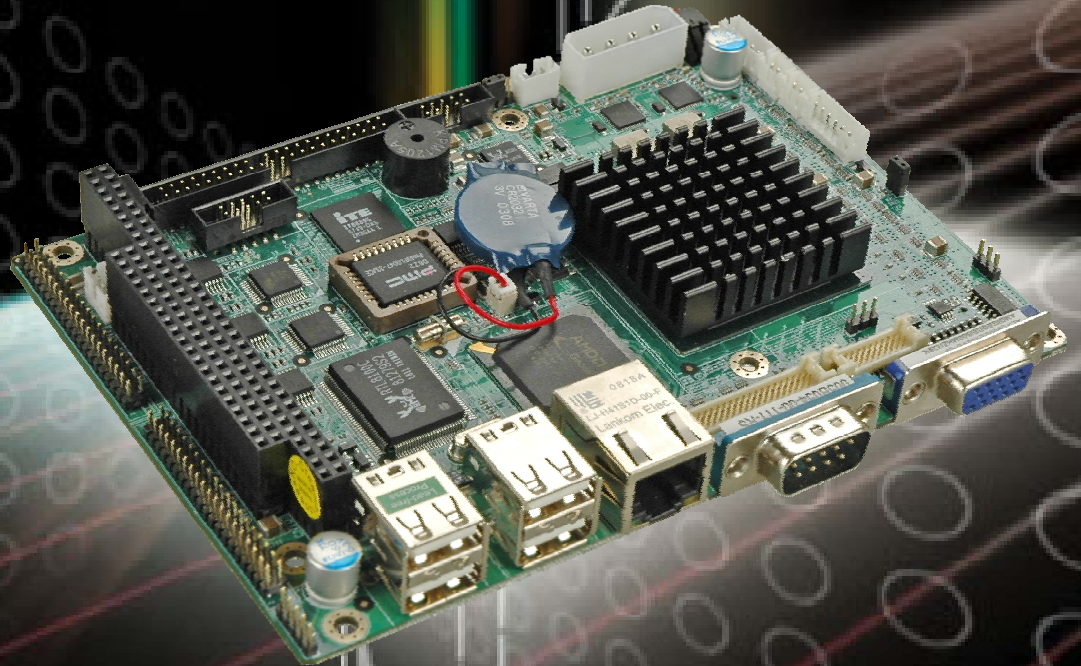




IEI Technology Corp.



**MODEL:
WAFER-LX2-800**

**AMD Geode™ LX 800 3.5" Single Board Computer
Eight serial ports, Audio, PC/104 Expansion and
supports CompactFlash® and IDE**

User Manual

Rev. 1.22 – 14 February, 2011



Revision

Date	Version	Changes
14 February, 2011	1.22	Modified COM2 Function Select Jumper (JP3) settings
7 April, 2010	1.21	Modified COM1 Pin 9 Jumper (JP1) and COM2 Function Select Jumper (JP3) settings
11 May, 2009	1.20	Released as WAFER-LX2_UMN_v1.20 for WAFER-LX2-800-R12
09 September, 2009	1.11	Released as WAFER-LX2_UMN_v1.11 <ul style="list-style-type: none">Updated RJ-45 Ethernet pinouts
15 August, 2008-	1.10	Released as WAFER-LX2_UMN_v1.10 <ul style="list-style-type: none">Added JP7 for CF card slave/master controlChanged address mapping images.
15 August, 2007	1.01	Released as WAFER-LX2_UMN_v1.01 <ul style="list-style-type: none">Corrected Section 5.6.4: Four Serial Port Connector Cable installationAdded "Appendix G: HAZARDOUS MATERIALS DISCLOSURE"
15 November, 2006	1.0	Initial release (Released as WAFER-LX2_UMN_v1.0)

Manual Conventions

 **WARNING!**

Warnings appear where overlooked details may cause damage to the equipment or result in personal injury. Warnings should be taken seriously. Warnings are easy to recognize. The word “warning” is written as “**WARNING**,” both capitalized and bold and is followed by text. The text is the warning message. A warning message is shown below:

 **WARNING:**

This is an example of a warning message. Failure to adhere to warning messages may result in permanent damage to the WAFER-LX2 or personal injury to the user. Please take warning messages seriously.

 **CAUTION!**

Cautionary messages should also be heeded to help reduce the chance of losing data or damaging the WAFER-LX2. Cautions are easy to recognize. The word “caution” is written as “**CAUTION**,” both capitalized and bold and is followed. The italicized text is the cautionary message. A caution message is shown below:

**CAUTION:**

This is an example of a caution message. Failure to adhere to cautions messages may result in permanent damage to the WAFER-LX2. Please take caution messages seriously.

**NOTE:**

These messages inform the reader of essential but non-critical information. These messages should be read carefully as any directions or instructions contained therein can help avoid making mistakes. Notes are easy to recognize. The word “note” is written as “**NOTE**,” both capitalized and bold and is followed by text. The text is the cautionary message. A note message is shown below:

**NOTE:**

This is an example of a note message. Notes should always be read. Notes contain critical information about the WAFER-LX2. Please take note messages seriously.

Copyright

COPYRIGHT NOTICE

The information in this document is subject to change without prior notice in order to improve reliability, design and function and does not represent a commitment on the part of the manufacturer.

In no event will the manufacturer be liable for direct, indirect, special, incidental, or consequential damages arising out of the use or inability to use the product or documentation, even if advised of the possibility of such damages.

This document contains proprietary information protected by copyright. All rights are reserved. No part of this manual may be reproduced by any mechanical, electronic, or other means in any form without prior written permission of the manufacturer.

TRADEMARKS

IBM PC is a registered trademark of International Business Machines Corporation. INTEL is a registered trademark of INTEL Corporation. Other product names mentioned herein are used for identification purposes only and may be trademarks and/or registered trademarks of their respective owners.

Packing List

**NOTE:**

If any of the components listed in the checklist below are missing, please do not proceed with the installation. Contact the IEI reseller or vendor you purchased the WAFER-LX2 from or contact an IEI sales representative directly. To contact an IEI sales representative, please send an email to sales@iei.com.tw.

The items listed below should all be included in the WAFER-LX2 package.

- 1 x WAFER-LX2 single board computer
- 1 x Audio cable
- 1 x IDE flat cable 44p/44p
- 2 x 4 COM port cable
- 1 x Mini jumper pack
- 1 x Utility CD
- 1 x QIG (quick installation guide)

Images of the above items are shown in **Chapter 3**.

Table of Contents

1	INTRODUCTION.....	1
1.1	WAFER-LX2 OVERVIEW.....	2
1.1.1	<i>WAFER-LX2 Applications.....</i>	2
1.1.2	<i>WAFER-LX2 Benefits.....</i>	2
1.1.3	<i>WAFER-LX2 Features.....</i>	3
1.2	WAFER-LX2 OVERVIEW.....	4
1.2.1	<i>WAFER-LX2 Connectors.....</i>	5
1.2.2	<i>Technical Specifications.....</i>	6
2	DETAILED SPECIFICATIONS	8
2.1	OVERVIEW.....	9
2.2	DIMENSIONS.....	9
2.2.1	<i>Board Dimensions.....</i>	9
2.2.2	<i>External Interface Panel Dimensions.....</i>	9
2.3	DATA FLOW.....	10
2.4	CPU SUPPORT.....	11
2.4.1	<i>AMD® Geode™ LX 800 500MHz Overview.....</i>	11
2.4.2	<i>AMD® Geode™ LX 800 Memory Support.....</i>	12
2.4.3	<i>AMD® Geode™ LX 800 500MHz Display Support.....</i>	12
2.4.4	<i>AMD® Geode™ LX 800 500MHz Graphics processor.....</i>	12
2.4.5	<i>AMD® Geode™ LX 800 500MHz Power Management.....</i>	14
2.5	SYSTEM CHIPSET.....	14
2.5.1	<i>GeodeLink™ Interface Unit.....</i>	14
2.5.2	<i>AMD® Geode™ CS5536 ATA-6 Controller.....</i>	15
2.5.3	<i>AMD® Geode™ CS5536 Audio Codec 97 (AC'97) Controller.....</i>	15
2.5.4	<i>AMD® Geode™ CS5536 Flash Interface.....</i>	17
2.5.5	<i>AMD® Geode™ CS5536 USB Controller.....</i>	17
2.5.6	<i>AMD® Geode™ CS5536 Serial Communications.....</i>	17
2.5.7	<i>AMD® Geode™ CS5536 Real Time Clock.....</i>	18
2.5.8	<i>BIOS.....</i>	18
2.6	GEODELINK™ PCI BRIDGE.....	18

2.6.1 Overview	18
2.6.2 10/100M Ethernet	19
2.6.3 PCI to ISA Bridge	20
2.7 ENVIRONMENTAL AND POWER SPECIFICATIONS	20
2.7.1 System Monitoring	20
2.7.2 Operating Temperature and Temperature Control.....	21
2.7.3 Power Consumption.....	21
3 UNPACKING	22
3.1 ANTI-STATIC PRECAUTIONS	23
3.2 UNPACKING.....	23
3.2.1 Unpacking Precautions.....	23
3.3 UNPACKING CHECKLIST	24
3.3.1 Package Contents.....	24
4 CONNECTOR PINOUTS.....	26
4.1 PERIPHERAL INTERFACE CONNECTORS.....	27
4.1.1 WAFER-LX2 Layout.....	27
4.1.2 Peripheral Interface Connectors	28
4.1.3 External Interface Panel Connectors.....	29
4.2 INTERNAL PERIPHERAL CONNECTORS	30
4.2.1 AT Power Connector.....	30
4.2.2 ATX Power Supply Enable Connector	31
4.2.3 Audio Connector (10-pin).....	32
4.2.4 Backlight Inverter Connector	33
4.2.5 Battery Connector.....	34
4.2.6 Compact Flash Socket.....	35
4.2.7 GPIO Connector	36
4.2.8 IDE Connector(44-pin).....	37
4.2.9 LED Connector	39
4.2.10 PC/104 Slot.....	40
4.2.11 PC/104 Power Input Connector.....	42
4.2.12 Power Button Connector.....	43
4.2.13 Reset Button Connector	43
4.2.14 Serial Port Connector (COM 2, COM 3 and COM 4).....	44

WAFER-LX2 3.5" Embedded SBC

4.2.15	<i>Serial Port Connector (COM 5, COM 6, COM 7 and COM 8)</i>	46
4.2.16	<i>TFT LCD LVDS Connector</i>	48
4.2.17	<i>TFT LCD TTL Connector</i>	49
4.3	EXTERNAL PERIPHERAL INTERFACE CONNECTORS.....	50
4.3.1	<i>External Peripheral Interface Connector Overview</i>	50
4.3.2	<i>RJ-45 Ethernet Connector</i>	51
4.3.3	<i>Serial Port Connector (COM 1)</i>	52
4.3.4	<i>USB Combo Port</i>	53
4.3.5	<i>VGA Connector</i>	53
5	INSTALLATION	55
5.1	ANTI-STATIC PRECAUTIONS.....	56
5.2	INSTALLATION CONSIDERATIONS.....	57
5.2.1	<i>Installation Notices</i>	57
5.2.2	<i>Installation Checklist</i>	58
5.3	SODIMM INSTALLATION AND CF CARD INSTALLATION.....	59
5.3.1	<i>SODIMM Installation</i>	59
5.3.2	<i>CF Card Installation</i>	60
5.4	JUMPER SETTINGS.....	61
5.4.1	<i>AT Power Select Jumper Settings</i>	62
5.4.2	<i>Clear CMOS Jumper</i>	63
5.4.3	<i>CF Card Setup</i>	64
5.4.4	<i>COM 1 Pin 9 Setting Jumper</i>	65
5.4.5	<i>COM 2 Function Select Jumper</i>	66
5.4.6	<i>LCD Voltage Selection</i>	67
5.4.7	<i>LCD Clock Select Jumper</i>	68
5.5	CHASSIS INSTALLATION.....	69
5.5.1	<i>Airflow</i>	69
5.5.2	<i>Motherboard Installation</i>	70
5.6	INTERNAL PERIPHERAL DEVICE CONNECTIONS.....	70
5.6.1	<i>Peripheral Device Cables</i>	70
5.6.2	<i>ATA Flat Cable Connection</i>	70
5.6.3	<i>Audio Kit Installation</i>	71
5.6.4	<i>Four Serial Port Connector Cable</i>	72
5.7	EXTERNAL PERIPHERAL INTERFACE CONNECTION.....	73

6	AWARD BIOS	75
6.1	INTRODUCTION.....	76
6.1.1	<i>Starting Setup</i>	76
6.1.2	<i>Using Setup</i>	76
6.1.3	<i>Getting Help</i>	77
6.1.4	<i>Unable to Reboot After Configuration Changes</i>	77
6.1.5	<i>Main BIOS Menu</i>	77
6.2	STANDARD CMOS FEATURES	80
6.2.1	<i>IDE Primary Master/Slave</i>	82
6.3	ADVANCED BIOS FEATURES	86
6.4	ADVANCED CHIPSET FEATURES	92
6.4.1	<i>Flat Panel Configuration</i>	94
6.5	INTEGRATED PERIPHERALS.....	96
6.5.1	<i>IT8888 ISA Decode IO</i>	100
6.5.2	<i>IT8888 ISA Decode Memory</i>	103
6.6	POWER MANAGEMENT SETUP	105
6.7	PNP/PCI CONFIGURATIONS	106
7	SOFTWARE DRIVERS	112
7.1	AVAILABLE SOFTWARE DRIVERS	113
7.2	VGA DRIVER	115
7.3	AUDIO DRIVER INSTALLATION	125
7.4	LAN DRIVER	132
7.5	ISA DRIVER	136
A	BIOS OPTIONS	144
B	GPIO CONNECTION.....	148
B.1	GPIO SETTINGS AND DEFAULT VALUES.....	149
B.1.1	<i>GPIO Settings</i>	149
B.1.2	<i>Default Settings</i>	149
B.2	ASSEMBLY LANGUAGE SAMPLES.....	150
B.2.1	<i>GPIO Initialization Procedure</i>	150
B.2.2	<i>General Purpose Output Procedure</i>	150
B.2.3	<i>General Purpose Input Procedure</i>	151

WAFER-LX2 3.5" Embedded SBC

C	WATCHDOG TIMER	152
D	ADDRESS MAPPING.....	155
	D.1 I/O ADDRESS MAPPINGS	156
	D.2 MEMORY ADDRESS MAPPING.....	157
	D.3 IRQ MAPPING TABLE	158
E	EXTERNAL AC'97 AUDIO CODEC	159
	E.1 INTRODUCTION	160
	<i>E.1.1 Accessing the AC'97 CODEC</i>	<i>160</i>
	<i>E.1.2 Driver Installation.....</i>	<i>160</i>
	E.2 SOUND EFFECT CONFIGURATION	160
	<i>E.2.1 Accessing the Sound Effects Manager.....</i>	<i>160</i>
	<i>E.2.2 Sound Effect Manager Configuration Options.....</i>	<i>162</i>
F	HAZARDOUS MATERIALS DISCLOSURE	165
	F.1 HAZARDOUS MATERIAL DISCLOSURE TABLE FOR IPB PRODUCTS CERTIFIED AS ROHS COMPLIANT UNDER 2002/95/EC WITHOUT MERCURY	166

List of Figures

Figure 1-1: WAFER-LX2.....	2
Figure 1-2: WAFER-LX2 Overview.....	4
Figure 1-3: WAFER-LX2 Solder Side Overview.....	5
Figure 2-1: WAFER-LX2 Dimensions (mm).....	9
Figure 2-2: External Interface Panel Dimensions (mm).....	10
Figure 2-3: Data Flow Block Diagram.....	11
Figure 4-1: Connector and Jumper Locations.....	27
Figure 4-2: Connector and Jumper Locations (Solder Side).....	28
Figure 4-3: AT Power Connector Location.....	30
Figure 4-4: ATX Power Supply Enable Connector Location.....	31
Figure 4-5: Audio Connector Pinouts (10-pin).....	32
Figure 4-6: Panel Backlight Connector Pinout Locations.....	33
Figure 4-7: Battery Connector Location.....	34
Figure 4-8: CF Card Socket Location.....	35
Figure 4-9: GPIO Connector Pinout Locations.....	37
Figure 4-10: Secondary IDE Device Connector Locations.....	38
Figure 4-11: LED Connector Locations.....	39
Figure 4-12: PC/104 Slot Location.....	40
Figure 4-13: PC/104 Power Input Connector Pinouts.....	42
Figure 4-14: Power Button Connector Location.....	43
Figure 4-15: Reset Button Connector Locations.....	44
Figure 4-16: COM 2 to COM 4 Connector Pinout Locations.....	45
Figure 4-17: COM 5 to COM 8 Connector Pinout Locations.....	47
Figure 4-18: TFT LCD LVDS Connector Pinout Locations.....	48
Figure 4-19: TFT LCD TTL Connector Pinout Locations.....	49
Figure 4-20: WAFER-LX2 On-board External Interface Connectors.....	51
Figure 4-21: J7 Connector.....	52

WAFER-LX2 3.5" Embedded SBC

Figure 4-22: COM1 Pinout Locations	53
Figure 4-23: VGA Connector	54
Figure 5-1: SODIMM Installation	59
Figure 5-2: CF Card Installation.....	61
Figure 5-3: AT Power Select Jumper Location	63
Figure 5-4: CN22 Clear CMOS Jumper.....	64
Figure 5-5: CF Card Setup Jumper Location.....	65
Figure 5-6: COM 1 Pin 9 Setting Jumper Location	66
Figure 5-7: COM 2 Function Select Jumper Location	67
Figure 5-8: LCD Voltage Selection Jumper Location	68
Figure 5-9: LCD Clock Select Jumper Select Jumper Location	69
Figure 5-10: IDE Cable Connection	71
Figure 5-11: IDE Cable Connection	72
Figure 5-12: Four Serial Port Connector Cable Connection.....	73
Figure 7-1: AMD LX/GX CD Main Menu	114
Figure 7-2: AMD LX/GX CD Driver Menu.....	115
Figure 7-3: Access Windows Control Panel.....	116
Figure 7-4: Double Click the System Icon	117
Figure 7-5: Double Click the Device Manager Tab.....	118
Figure 7-6: Device Manager List	119
Figure 7-7: Expand the Display Adapters Category	120
Figure 7-8: Update Driver	121
Figure 7-9: Upgrade Device Driver Wizard	122
Figure 7-10: Search for Suitable Driver.....	123
Figure 7-11: Locate Driver Files.....	124
Figure 7-12: Location Browsing Window.....	125
Figure 7-13: Access Windows Control Panel.....	126
Figure 7-14: Double Click the System Icon	127
Figure 7-15: Double Click the Device Manager Tab.....	128
Figure 7-16: Device Manager List	129
Figure 7-17: Search for Suitable Driver.....	130
Figure 7-18: Locate Driver Files.....	131

Figure 7-19: Location Browsing Window.....	132
Figure 7-20: Locate the Setup Program Icon	133
Figure 7-21: Preparing Setup Screen.....	133
Figure 7-22: Install Wizard Welcome Screen.....	134
Figure 7-23: Installing Screen	135
Figure 7-24: Restart the Computer	136
Figure 7-25: Access Windows Control Panel.....	137
Figure 7-26: Double Click the System Icon	138
Figure 7-27: Double Click the Device Manager Tab.....	139
Figure 7-28: Device Manager List.....	140
Figure 7-29: Search for Suitable Driver.....	141
Figure 7-30: Locate Driver Files.....	142
Figure 7-31: Location Browsing Window.....	143

List of Tables

Table 1-1: Technical Specifications	7
Table 2-1: Geode LX Graphics Features	14
Table 2-2: Supported HDD Specifications	15
Table 2-3: Power Consumption	21
Table 3-1: Package List Contents	25
Table 4-1: Peripheral Interface Connectors.....	29
Table 4-2: Rear Panel Connectors.....	29
Table 4-3: AT Power Connector Pinouts	31
Table 4-4: ATX Power Supply Enable Connector Pinouts	32
Table 4-5: Audio Connector Pinouts (10-pin).....	33
Table 4-6: Panel Backlight Connector Pinouts	34
Table 4-7: Battery Connector Pinouts.....	35
Table 4-8: CF Card Socket Pinouts	36
Table 4-9: GPIO Connector Pinouts	37
Table 4-10: Secondary IDE Connector Pinouts.....	39
Table 4-11: LED Connector Pinouts	39
Table 4-12: PC/104 Slot Connector Pinouts	42
Table 4-13: PC/104 Power Input Connector Pinouts	43
Table 4-14: Power Button Connector Pinouts.....	43
Table 4-15: Reset Button Connector Pinouts.....	44
Table 4-16: COM 2 to COM 4 Connector Pinouts.....	46
Table 4-17: COM 5 to COM 8 Connector Pinouts.....	48
Table 4-18: TFT LCD LVDS Port Connector Pinouts	49
Table 4-19: TFT LCD TTL Port Connector Pinouts	50
Table 4-20: RJ-45 Ethernet Connector Pinouts.....	51
Table 4-21: J7 Connector LEDs	52
Table 4-22: RS-232 Serial Port (COM 1) Pinouts	52

Table 4-23: USB Connector Pinouts.....	53
Table 4-24: VGA Connector Pinouts	54
Table 5-1: Jumpers.....	62
Table 5-2: AT Power Select Jumper Settings.....	62
Table 5-3: CN22 Clear CMOS Jumper Settings	64
Table 5-4: CF Card Setup Jumper Settings	65
Table 5-5: COM 1 Pin 9 Setting Jumper Settings.....	66
Table 5-6: COM 2 Function Select Jumper Settings.....	67
Table 5-7: LCD Voltage Selection Jumper Settings.....	68
Table 5-8: LCD Clock Select Jumper Settings	69
Table 5-9: IEI Provided Cables.....	70
Table 6-1: BIOS Navigation Keys.....	77

BIOS Menus

BIOS Menu 1: Award BIOS CMOS Setup Utility	78
BIOS Menu 2: Standard CMOS Features	80
BIOS Menu 3: IDE Settings.....	83
BIOS Menu 4: Advanced BIOS Features.....	86
BIOS Menu 5: Advanced Chipset Features	92
BIOS Menu 6: Flat Panel Configuration	94
BIOS Menu 7: Integrated Peripherals.....	97
BIOS Menu 8: IT8888 ISA Decode IO.....	101
BIOS Menu 9: IT8888 ISA Decode Memory.....	103
BIOS Menu 10: Power Management Setup.....	105
BIOS Menu 11: PnP/PCI Configurations	107
BIOS Menu 12: IRQ Resources	108
BIOS Menu 13: Memory Resources.....	110

Chapter

1

Introduction

1.1 WAFER-LX2 Overview

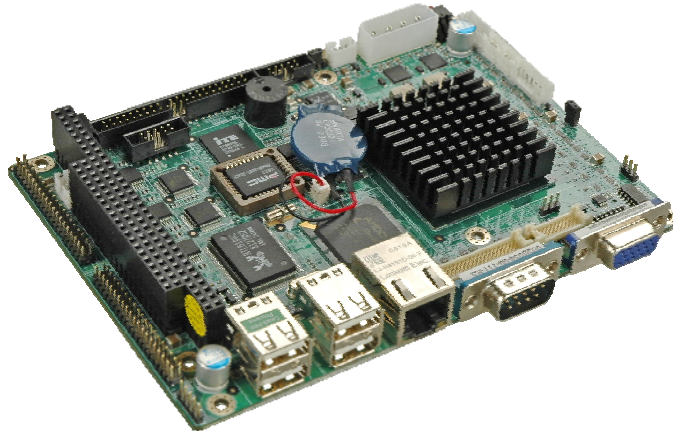


Figure 1-1: WAFER-LX2

The 3.5" WAFER-LX2 AMD Geode LX800 low power single board computer (SBC) is fully equipped with advanced multi-mode I/Os. The WAFER-LX2 has eight serial ports and a PC/104 for expansion and increased connectivity. The WAFER-LX2 is designed for system manufacturers, integrators, and VARs that want performance, reliability, and quality at a reasonable price.

1.1.1 WAFER-LX2 Applications

The WAFER-LX2 is designed for applications in the following areas:

- Kiosks and Point of Sales
- Restaurants
- Human Machine Interface (HMI) applications
- Marine, GPS and transportation applications
- Financial, retail and kiosk applications

1.1.2 WAFER-LX2 Benefits

Some of the WAFER-LX2 benefits include:

- Reduced hardware costs
- Reduced software costs
- Reduced maintenance costs

WAFER-LX2 3.5" Embedded SBC

- Client crash prevention
- Central resource control
- Security protection

1.1.3 WAFER-LX2 Features

Some of the WAFER-LX2 features are listed below:

- 3.5" form factor
- RoHS compliant
- AMD LX-800 processor installed
- Low power consumption (6 Watts)
- Two high performance 10/100 megabit Ethernet controllers on-board
- Two SATA channels with transfer rates up to 150MB/s on-board
- Four USB 2.0 devices on-board
- Integrated audio

1.2 WAFER-LX2 Overview



NOTE:

The LED light is optional customization. The LED Light must be pre-ordered and does not come on the standard system.

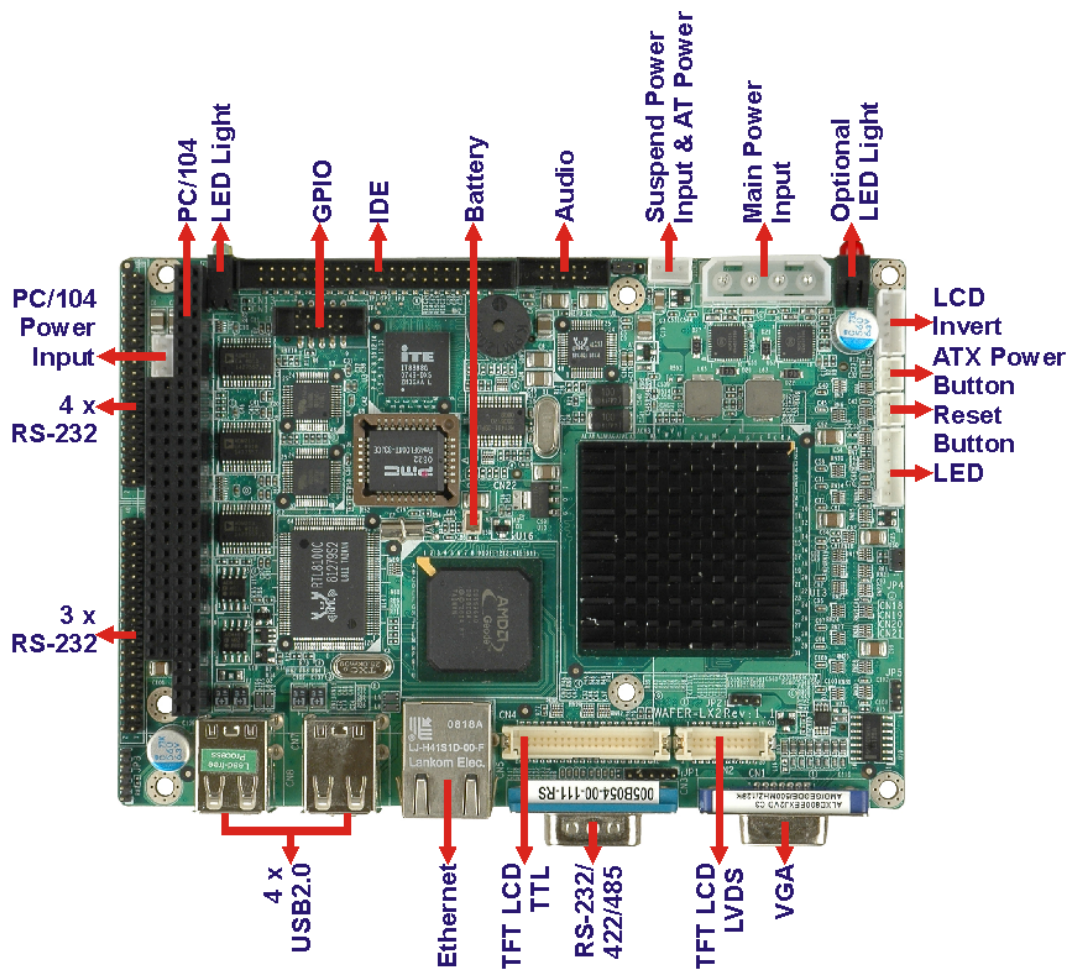


Figure 1-2: WAFER-LX2 Overview

WAFER-LX2 3.5" Embedded SBC

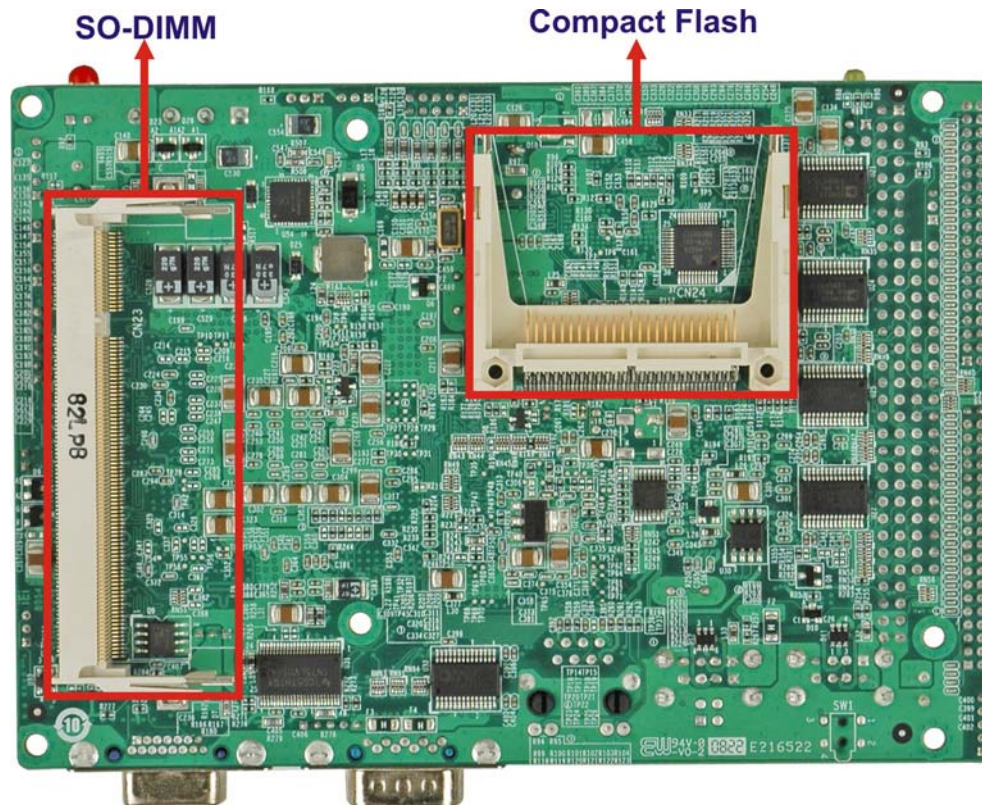


Figure 1-3: WAFER-LX2 Solder Side Overview

1.2.1 WAFER-LX2 Connectors

The WAFER-LX2 has the following connectors on-board:

- 1 x AT power connector
- 1 x ATX power function connector
- 1 x Audio connector
- 1 x Battery connector
- 1 x Compact Flash (CF) connector (solder side)
- 1 x External LED connector
- 1 x Fan connector
- 1 x General purpose input/output (GPIO) connector
- 1 x IDE Interface connectors (44-pin)
- 1 x Inverter power connector
- 1 x PC/104 slot
- 1 x PC/104 power connector

- 1 x Reset button connector
- 2 x Serial port connectors
- 1 x Suspend power input connector
- 1 x TFT LCD LVDS interface connector
- 1 x TFT LCD TFT interface connector
- 1 x SO-DIMM socket

The WAFER-LX2 has the following connectors on the board rear panel:

- 1 x Ethernet connectors
- 2 x Dual USB connector
- 1 x Serial port connector
- 1 x VGA connector

The WAFER-LX2 has the following on-board jumpers:

- COM-1 pin-9 signal select
- LCD Vcc select
- COM-2 function select
- AT Power select
- LCD clock select
- CF Card setup

1.2.2 Technical Specifications

WAFER-LX2 technical specifications are listed in **Table 1-1**. Detailed descriptions of each specification can be found in **Chapter 2**.

Specification	WAFER-LX2
Form Factor	3.5" form factor
CPU	AMD® Geode™ LX800 500Mhz
Southbridge Chipset	AMD® Geode™ CS5536
Display	CRT integrated in AMD® Geode™ LX800

WAFER-LX2 3.5" Embedded SBC

TTL/LVDS	24-bit TTL or 18-bit single channel LVDS
Memory	Supports one 1GB DDR 333/400 200-pin SO-DIMM SDRAM module
BIOS	Award BIOS
SSD	Compact Flash (CF)
Audio	AC'97 Codec Realtek ALC203
LAN	10/100 Base-T dual RTL8100C
COM	Eight RS-232 or Seven RS-232 and one RS-422/RS-485
USB2.0	Four USB 1.1 or USB 2.0 devices supported
IDE	One 44-pin IDE connects to two Ultra ATA33/66/100 devices
Watchdog Timer	Software programmable 1-255 sec.
Digital I/O	8-bit digital I/O, 4-bit input/4-bit output
Expansion	One PC/104 slot
Power Supply	+5V \pm 5% AT/ATX power support
Temperature	0°C - 60°C
Humidity (operating)	5%~95% non-condensing
Dimensions	145mm x 102mm
Weight (GW/NW)	670g/230g

Table 1-1: Technical Specifications

Chapter

2

Detailed Specifications

WAFER-LX2 3.5" Embedded SBC

2.1 Overview

This chapter describes the specifications and on-board features of the WAFER-LX2 in detail.

2.2 Dimensions

2.2.1 Board Dimensions

The dimensions of the board are listed below:

- **Length:** 146.06mm
- **Width:** 102mm

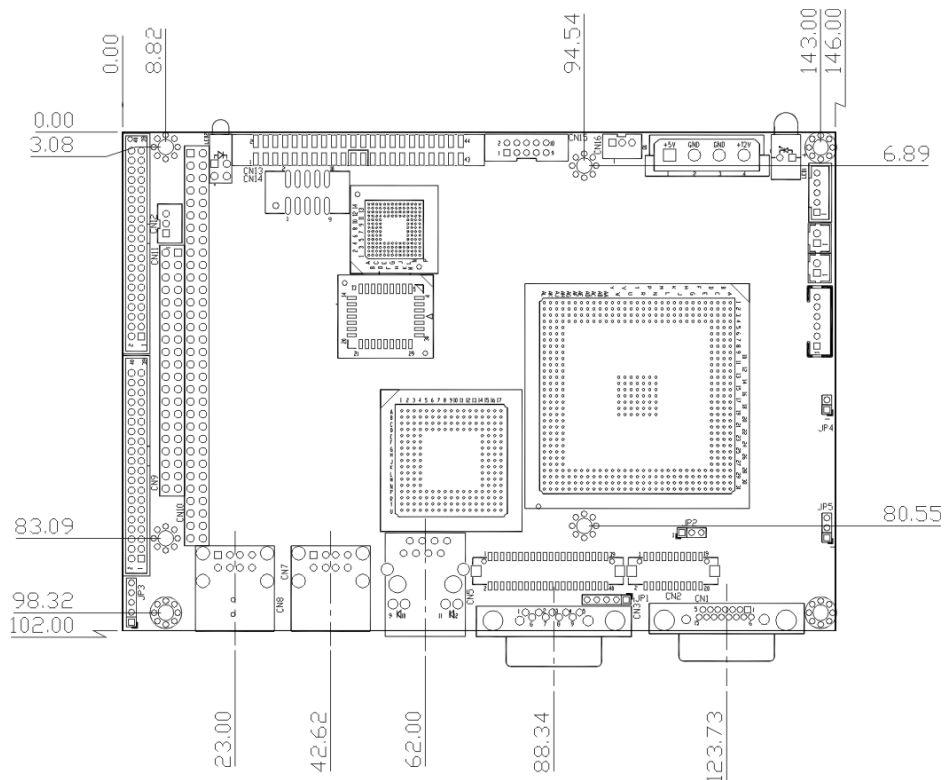


Figure 2-1: WAFER-LX2 Dimensions (mm)

2.2.2 External Interface Panel Dimensions

External peripheral interface connector panel dimensions are shown in **Figure 2-2**.

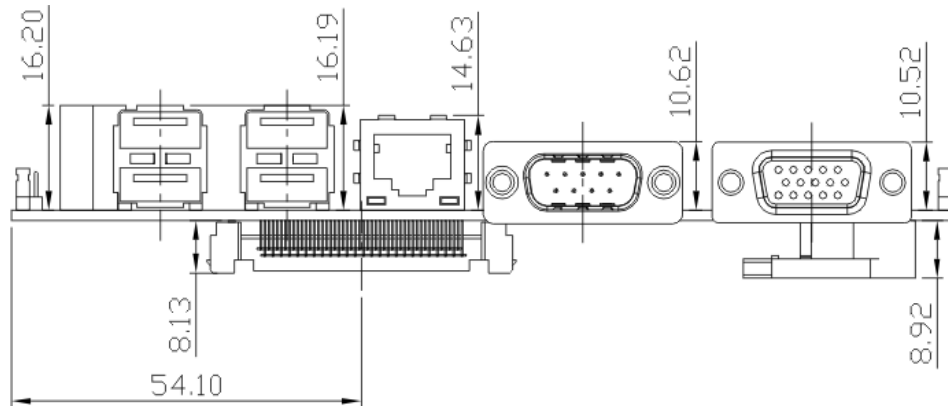


Figure 2-2: External Interface Panel Dimensions (mm)

2.3 Data Flow

The WAFER-LX2 motherboard comes with an AMD® Geode™ LX800 CPU and an AMD® Geode™ CS5536 linked together by the GeodeLink™ Interface Unit. **Figure 2-3** shows the data flow between the system chipset, the CPU and other components installed on the motherboard.

WAFER-LX2 3.5" Embedded SBC

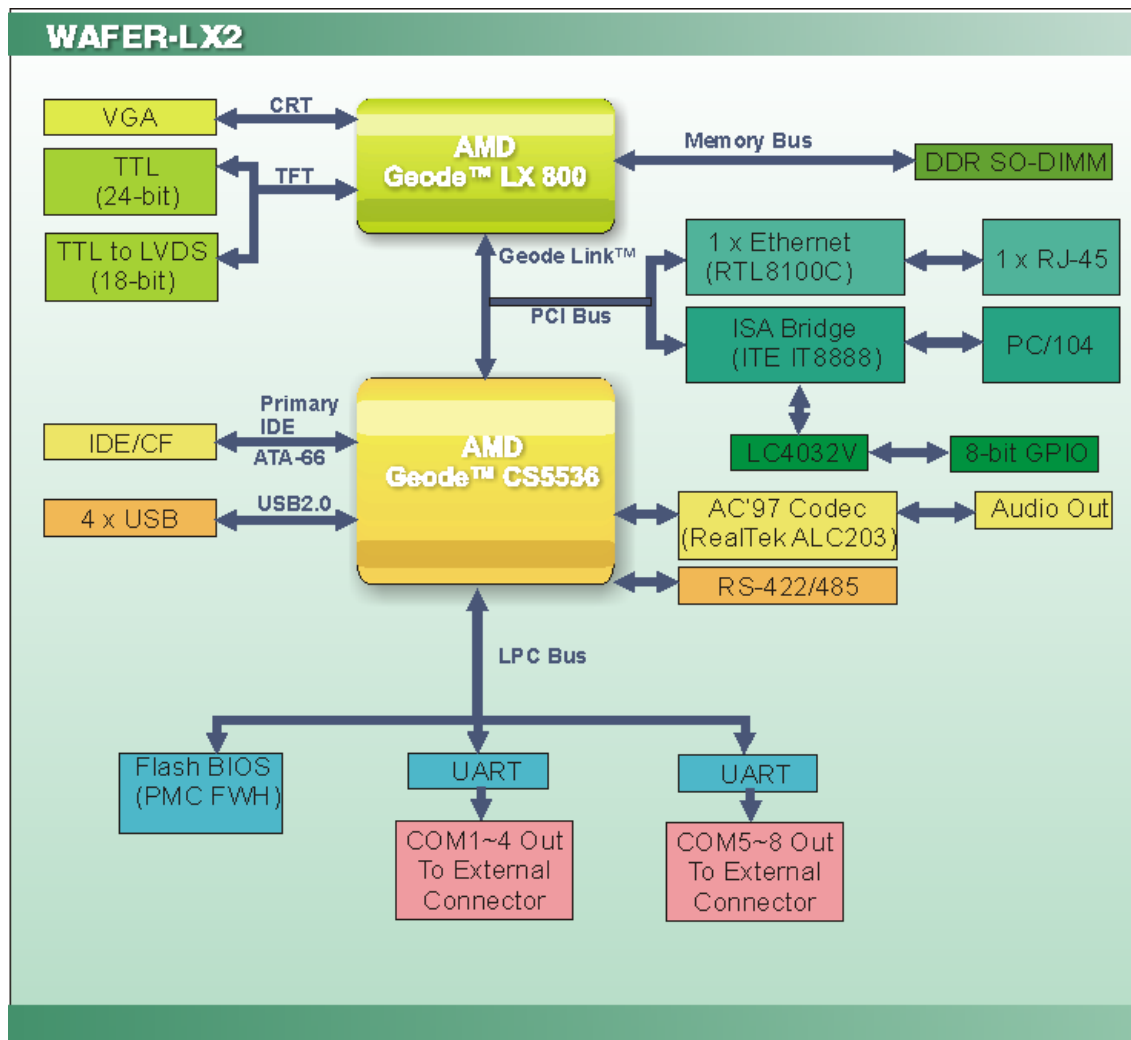


Figure 2-3: Data Flow Block Diagram

2.4 CPU Support

The WAFER-LX2 series motherboards all come with a preinstalled AMD® Geode™ LX 800 500MHz CPU.

2.4.1 AMD® Geode™ LX 800 500MHz Overview

The specifications for the 500MHz AMD® Geode™ LX 800 are listed below

- x86/x87-compatible core
- Processor frequency up to 500 MHz

- 64K I/64K D L1 cache and 128K L2 cache
- Split I/D cache/TLB (Translation Look-Aside Buffer)
- Integrated FPU that supports the Intel MMX® and AMD 3DNow!™ Technology instruction sets
- 9 GB/s internal GeodeLink™ Interface Unit (GLIU)
- Security Block
 - 128-bit AES (CBC/ECB)
- True Random Number Generator

2.4.2 AMD® Geode™ LX 800 Memory Support

The AMD® Geode™ LX 800 supports 64-bit DDR memory modules with frequencies up to 400MHz. The WAFER-LX2 has one 200-pin DDR SO-DIMM SDRAM socket that supports one 64-bit 333 MHz or 400MHz DDR SO-DIMM memory module with a maximum capacity of 1GB.

2.4.3 AMD® Geode™ LX 800 500MHz Display Support

The AMD® Geode™ LX 800 supports both CRT and TFT in a dual display mode. The following display specifications.

- Supported Standards
 - High Definition (HD)
 - Standard Definition (SD)
- Supported Resolution
 - 1920x1440 in CRT mode
 - 1600x1200 in TFT mode
- VESA 1.1 and 2.0 VIP/VDA support

2.4.4 AMD® Geode™ LX 800 500MHz Graphics processor

The AMD® Geode™ LX 800 BitBLT/vector engine graphics processor supports pattern generation, source expansion, pattern/source transparency, 256 ternary raster operations, alpha blenders to support alpha- BLTs, incorporated BLT FIFOs, a GeodeLink interface and the ability to throttle BLTs according to video timing. New features added to the Graphics Processor include:

WAFER-LX2 3.5" Embedded SBC

- Command buffer interface
- Hardware accelerated rotation BLTs
- Color depth conversion
- Paletized color
- Full 8x8 color pattern buffer
- Separate base addresses for all channels
- Monochrome inversion

Table 2-1: Geode LX Graphics Features lists a complete list of Geode LX graphics features. For more details, please refer to the AMD website or the Geode LX series data book available from AMD.

Feature	AMD Geode™ LX Processor
Color Depth	8, 16, 32 bpp (A) RGB 4 and 8-bit indexed
ROPs	256 (2-src, dest and pattern)
BLT Buffers	FIFOs in Graphics Processor
BLT Splitting	Managed by hardware
Video Synchronized BLT/Vector	Throttle by VBLANK
Bresenham Lines	Yes
Patterned (stippled) Lines	Yes
Screen to Screen BLT	Yes
Screen to Screen BLT with mono expansion	Yes
Memory to Screen BLT	Yes (throttled rep movs writes)
Accelerated Text	No
Pattern Size (Mono)	8x8 pixels
Pattern Size (Color)	8x8 pixels
Monochrome Pattern	Yes (with inversion)
Dithered Pattern (4 color)	No
Color Pattern	8, 16, 32 bpp
Transparent Pattern	Monochrome
Solid Fill	Yes
Pattern Fill	Yes
Transparent Source	Monochrome
Color Key Source Transparency	Y with mask

Variable Source Stride	Yes
Variable Destination Stride	Yes
Destination Write Bursting	Yes
Selectable BLT Direction	Vertical and Horizontal
Alpha BLT	Yes (constant α , α/pix , or sep. α channel)
VGA Support	Decodes VGA Register
Pipeline Depth	Unlimited
Accelerated Rotation BLT	8, 16, 32 bpp
Color Depth Conversion	5:6:5, 1:5:5:5, 4:4:4:4, 8:8:8:8

Table 2-1: Geode LX Graphics Features

2.4.5 AMD® Geode™ LX 800 500MHz Power Management

The power management for the 500MHz AMD® Geode™ LX 800 is listed below:

- 1.8W Typical (3.9W TDP) @ 500MHz
- GeodeLink active hardware power management
- Hardware support for standard ACPI software power management
- I/O companion SUSP#/SUSPA# power controls
- Lower power I/O
- Wakeup on SMI/INTR

2.5 System Chipset

The WAFER-LX2 series motherboards all have a preinstalled AMD® Geode™ CS5536 system chipset. The system chipset features are listed below.

- 82xx Legacy Devices
- System Management Bus (SMB) Controller
- 8 Multi-Function General Purpose Timers (MFGPTs)
- Power Management Controller
- ACPI v2.0 compliant

2.5.1 GeodeLink™ Interface Unit

- 64-bit, 66MHz operation

WAFER-LX2 3.5" Embedded SBC

- PCI VSM (Virtual System Module) that makes the interface transparent to applications software and BIOS
- Programmable routing descriptors, use and activity monitors, and SSMI (Synchronous System Management Interrupt)

2.5.2 AMD® Geode™ CS5536 ATA-6 Controller

The single WAFER-LX2 IDE connector supports two ATA-6 HDDs. An ATA-6 (Ultra ATA/100) compliant IDE controller on the AMD® Geode™ CS5536 has a maximum transfer rate of 100MB/s. ATA-6 includes advancements in error checking and ATA-6 drives are compatible with future interface additions.

The onboard ATA-6 controller is able to support the following IDE HDDs:

- **Ultra ATA/100**, with data transfer rates up to 100MB/s
- **Ultra ATA/66**, with data transfer rates up to 66MB/s
- **Ultra ATA/33**, with data transfer rates up to 33MB/s

Specification	Ultra ATA/100	Ultra ATA/66	Ultra ATA/100
IDE devices	2	2	2
PIO Mode	0 – 4	0 – 4	0 – 4
PIO Max Transfer Rate	16.6 MB/s	16.6 MB/s	16.6 MB/s
DMA/UDMA designation	UDMA 3 - 4	UDMA 3 – 4	UDMA 2
DMA/UDMA Max Transfer	100MB/s	66MB/s	33MB/s
Controller Interface	5V	5V	5V

Table 2-2: Supported HDD Specifications

2.5.3 AMD® Geode™ CS5536 Audio Codec 97 (AC'97) Controller

The AC'97 specification v2.3 compliant controller on the chipset is interfaced to a 20-bit DAC and 18-bit ADC full-duplex AC'97 2.3 stereo RealTek ALC203 codec. The ALC203 is then connected to a 10-pin audio connector to which an audio kit can easily be connected.

The codec meets performance requirements for audio on PC99/2001 systems. Some of the codec features are listed below.

- Meets Microsoft WHQL/WLP 2.0 audio requirements
- 20-bit DAC and 18-bit ADC resolution
- 18-bit Stereo full-duplex CODEC with independent and variable sampling rate
- Complies with AC'97 2.3 specifications
 - LINE/HP-OUT, MIC-IN and LINE-IN sensing
 - 14.318MHz -> 24.576MHz PLL saves crystal
 - 12.288MHz BITCLK input can be consumed
 - Integrated PCBEEP generator to save buzzer
 - Interrupt capability
 - Page registers and Analog Plug & Play
- Support of S/PDIF out is fully compliant with AC'97 rev2.3 specifications
- Three analog line-level stereo inputs with 5-bit volume control: LINE_IN, CD, AUX
- High quality differential CD input
- Two analog line-level mono input: PCBEEP, PHONE-IN
- Supports double sampling rate (96KHz) of DVD audio playback
- Two software selectable MIC inputs
- +6/12/20/30dB boost preamplifier for MIC input
- Stereo output with 6-bit volume control
- Mono output with 5-bit volume control
- Headphone output with 50mW/20Ohm amplifier
- 3D Stereo Enhancement
- Multiple CODEC extension capability
- External Amplifier Power Down (EAPD) capability
- Power management and enhanced power saving features
- Stereo MIC record for AEC/BF application
- DC Voltage volume control
- Auxiliary power to support Power Off CD
- Adjustable VREFOUT control
- 2 GPIO pins with smart GPIO volume control
- 2 Universal Audio Jacks (UAJ)® for front panel
- Supports 32K/44.1K/48K/96KHz S/PDIF output

WAFER-LX2 3.5" Embedded SBC

- Supports 32K/44.1K/48KHz S/PDIF input
- Power support: Digital: 3.3V; Analog: 3.3V/5V
- Standard 48-Pin LQFP Package
- EAX™ 1.0 & 2.0 compatible
- Direct Sound 3D™ compatible
- A3D™ compatible
- I3DL2 compatible
- HRTF 3D Positional Audio
- Sensaura™ 3D Enhancement (optional)
- 10 Bands of Software Equalizer
- Voice Cancellation and Key Shifting in Karaoke mode
- AVRack® Media Player

2.5.4 AMD® Geode™ CS5536 Flash Interface

The WAFER-LX2 CompactFlash socket supports standard CF Type I and CF Type II cards. The chipset flash interface is multiplexed with an IDE interface and can be connected to an array of industry standard NAND Flash or NOR Flash devices.

2.5.5 AMD® Geode™ CS5536 USB Controller

Four external USB ports on the WAFER-LX2 board are interfaced to the chipset USB controller. Four USB 1.1 or USB 2.0 devices can be connected simultaneously to the WAFER-LX2. The chipset USB controller has the following specifications:

- 4 USB ports
- USB 1.1 and USB 2.0 compliant
- 3 host ports
- 1 host/device

2.5.6 AMD® Geode™ CS5536 Serial Communications

Eight high-speed UART serial port connectors, seven RS-232 and one that can be configured as RS-232, RS-422 or RS-485, are connected to the system chipset low pin count (LPC) port via the LPC bus. The specifications for the serial ports are listed below.

- 16C550 UART with 16-byte FIFO buffer
- 115.2Kbps transmission rate

2.5.7 AMD® Geode™ CS5536 Real Time Clock

The system chipset has a battery backed up 256-byte real-time clock (RTC) with CMOS RAM.

2.5.8 BIOS

The BIOS flash memory chip on the WAFER-LX2 has a licensed copy of AWARD BIOS loaded onto it. The BIOS flash memory chip is connected to the chipset via the LPC bus.

The flash BIOS features are listed below:

- SMIBIOS (DMI) compliant
- Console redirection function support
- PXE (Pre-Boot Execution Environment) support
- USB booting support

2.6 GeodeLink™ PCI Bridge

2.6.1 Overview

The GeodeLink™ PCI Bridge (GLPCI) module provides a PCI interface for GeodeLink Interface Unit-based designs. The GLPCI module is composed of six major blocks:

- GeodeLink Interface
- FIFO/Synchronization
- Transaction Forwarding
- PCI Bus Interface
- PCI Arbiter

The GeodeLink and PCI Bus Interface blocks provide adaptation to the respective buses. The Transaction Forwarding block provides bridging logic. Some of the features of the GeodeLink™ PCI Bridge are listed below:

- PCI Version 2.2 compliance

WAFER-LX2 3.5" Embedded SBC

- 32-bit, 66 MHz PCI bus operation
- Target support for fast back-to-back transactions
- Arbiter support for three external PCI bus masters
- Write gathering and write posting for in-bound write requests
- Virtual PCI header support
- Delayed transactions for in-bound read requests
- Zero wait state operation within a PCI burst
- Dynamic clock stop/start support for GLIU and PCI clock domains (this is not CLKRUN support)
- Capable of handling out of bound transactions immediately after reset

2.6.2 10/100M Ethernet

A highly integrated and cost-effective single-chip, fast RealTek RTL8100C 10/100M Ethernet controller is interfaced through first the PCI bus and then through the GeodeLink™ PCI Bridge to the CPU and system chipset. The RealTek RTL8100C controller provides 10Mbps or 100Mbps Ethernet connectivity to the WAFER-LX2. Some of the features of the RealTek RTL8100C are listed below.

- 10Mbps and 100Mbps operation
- Supports 10Mbps and 100Mbps N-way auto-negotiation
- Supports 25MHz Crystal or 25MHz OSC as the internal clock source
- Complies with PC99/PC2001 standards
- Supports ACPI power management
- Provides PCI bus master data transfer
- Provides PCI memory space or I/O space mapped data transfer
- Supports PCI clock speed of 16.75MHz-40MHz
- Advanced power saving mode
- Supports Wake-on-LAN and remote wake-up (AMD Magic Packet™, Link Change, and Microsoft® Wake-up frame)
- Half/Full duplex capability
- Supports Full Duplex Flow Control (IEEE 802.3x)
- Provides interface to 93C46 EEPROM to store resource configuration and ID parameters
- Provides PCI clock run pin

- Provides LED pins for network operation status indication
- 2.5/3.3V power supply with 5V tolerant I/Os

2.6.3 PCI to ISA Bridge

An ITE IT8888G PCI to ISA bridge single function device connects the onboard WAFER-LX2 ISA bus PC/104 connector and the GPIO connector to the GeodeLink™ PCI bridge. The IT8888G has a PCI specification v2.1 compliant 32-bit PCI bus interface and supports both PCI Bus master and slave. The PCI interface supports both programmable positive and full subtractive decoding schemes. Some of the features of the IT8888G PCI to ISA bridge are listed below.

- PCI Interface
- Programmable PCI Address Decoders
- PC/PCI DMA Controller
- Distributed DMA Controller
- ISA Interface
- SM Bus
- 1 analog line-level mono output: MONO_OUT
- Power-on Serial Bus Configuration
- Serial IRQ
- Versatile power-on strapping options
- Supports NOGO function
- Single 33 MHz Clock Input
- +3.3V PCI I/F with +5V tolerant I/O buffers
- +5V ISA I/F and core Power Supply

2.7 Environmental and Power Specifications

2.7.1 System Monitoring

The WAFER-LX2 is capable of self-monitoring various aspects of its operating status including:

- CPU, chipset, and battery voltage, +3.3V, +5V, and +12V
- RPM of cooling fans

WAFER-LX2 3.5" Embedded SBC

- CPU and board temperatures (by the corresponding embedded sensors)

2.7.2 Operating Temperature and Temperature Control

The maximum and minimum operating temperatures for the WAFER-LX2 are listed below.

- Minimum Operating Temperature: 0°C (32°F)
- Maximum Operating Temperature: 60°C (140°F)

A cooling fan and heat sink must be installed on the CPU. Thermal paste must be smeared on the lower side of the heat sink before it is mounted on the CPU. Heat sinks are also mounted on the northbridge and southbridge chipsets to ensure the operating temperature of these chips remain low.

2.7.3 Power Consumption

Table 2-3 shows the power consumption parameters for the WAFER-LX2 when an AMD Geode LX 800 processor is running with one 512MB DDR333 memory module.

Voltage	Current
+5V	1.33A

Table 2-3: Power Consumption



Chapter

3

Unpacking

WAFER-LX2 3.5" Embedded SBC

3.1 Anti-static Precautions



WARNING:

Failure to take ESD precautions during the installation of the WAFER-LX2 may result in permanent damage to the WAFER-LX2 and severe injury to the user.

Electrostatic discharge (ESD) can cause serious damage to electronic components, including the WAFER-LX2. Dry climates are especially susceptible to ESD. It is therefore critical that whenever the WAFER-LX2, or any other electrical component is handled, the following anti-static precautions are strictly adhered to.

- **Wear an anti-static wristband:** - Wearing a simple anti-static wristband can help to prevent ESD from damaging the board.
- **Self-grounding:**- Before handling the board touch any grounded conducting material. During the time the board is handled, frequently touch any conducting materials that are connected to the ground.
- **Use an anti-static pad:** When configuring the WAFER-LX2, place it on an anti-static pad. This reduces the possibility of ESD damaging the WAFER-LX2.
- **Only handle the edges of the PCB:-** When handling the PCB, hold the PCB by the edges.

3.2 Unpacking

3.2.1 Unpacking Precautions

When the WAFER-LX2 is unpacked, please do the following:

- Follow the anti-static precautions outlined in **Section 3.1**.
- Make sure the packing box is facing upwards so the WAFER-LX2 does not fall out of the box.
- Make sure all the components shown in **Section 3.3** are present.

3.3 Unpacking Checklist





NOTE:

If some of the components listed in the checklist below are missing, please do not proceed with the installation. Contact the IEI reseller or vendor you purchased the WAFER-LX2 from or contact an IEI sales representative directly. To contact an IEI sales representative, please send an email to sales@iei.com.tw.

3.3.1 Package Contents

The WAFER-LX2 is shipped with the following components:

Quantity	Item	Image
1	WAFER-LX2	
1	Audio Cable	

WAFER-LX2 3.5" Embedded SBC

1	IDE cable	
2	4 COM Port Cable	
1	mini jumper Pack	
1	Quick Installation Guide	
1	Utility CD	

Table 3-1: Package List Contents

Chapter

4

Connector Pinouts

WAFER-LX2 3.5" Embedded SBC

4.1 Peripheral Interface Connectors

Section 4.1.2 shows peripheral interface connector locations. Section 4.1.2 lists all the peripheral interface connectors seen in Section 4.1.2.

4.1.1 WAFER-LX2 Layout

Figure 4-1 shows the on-board peripheral connectors, rear panel peripheral connectors and on-board jumpers.

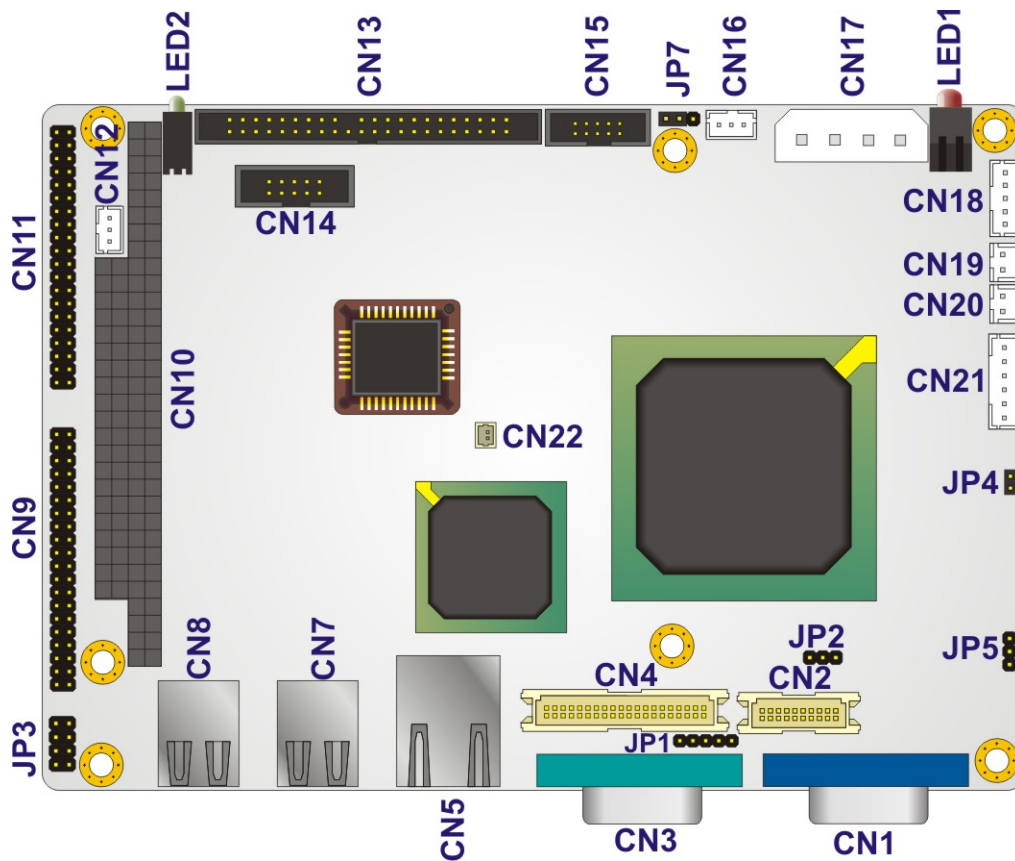


Figure 4-1: Connector and Jumper Locations

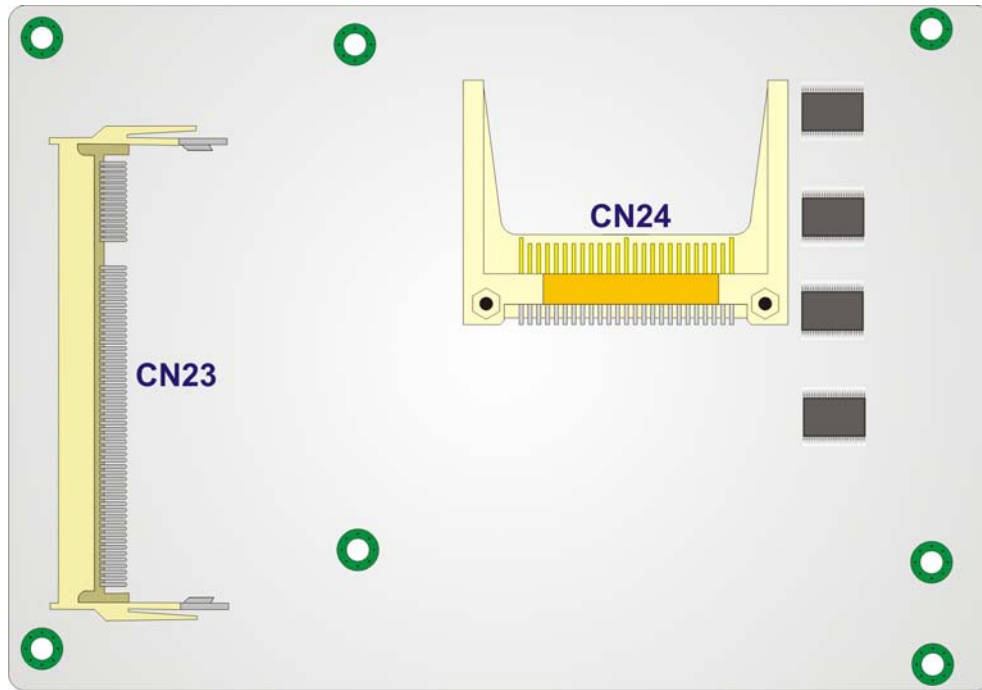


Figure 4-2: Connector and Jumper Locations (Solder Side)

4.1.2 Peripheral Interface Connectors

Table 4-1 shows a list of the peripheral interface connectors on the WAFER-LX2. Detailed descriptions of these connectors can be found below.

Connector	Type	Label
AT power connector	4-pin header	CN17
ATX enable connector	3-pin header	CN16
Power button connector	2-pin header	CN19
Audio connector	10-pin header	CN15
Battery connector	2-pin header	CN22
Compact Flash (CF) connector	50-pin header	CN24

WAFER-LX2 3.5" Embedded SBC

GPIO connector	10-pin header	CN14
IDE Interface connector	44-pin header	CN13
Inverter power connector	5-pin header	CN18
LED connector	6-pin header	CN21
PC/104 power input connector	3-pin header	CN10
PC/104 slot	104-pin slot	CN12
Reset button connector	2-pin header	CN20
Serial port connector (COM 2 – COM 4)	40-pin header	CN9
Serial port connector (COM 5 – COM 8)	40-pin header	CN11
TFTLCD LVDS connector	20-pin header	CN2
TFT LCD TTL connector	40-pin header	CN4

Table 4-1: Peripheral Interface Connectors

4.1.3 External Interface Panel Connectors

Table 4-2 lists the rear panel connectors on the WAFER-LX2. Detailed descriptions of these connectors can be found in **Section 4.3** on **page 50**.

Connector	Type	Label
Ethernet connector	RJ-45	CN5
RS-232 serial port connector	9-pin male	CN3
USB port	USB port	CN7
USB port	USB port	CN8
VGA port connector	15-pin female	CN1

Table 4-2: Rear Panel Connectors

4.2 Internal Peripheral Connectors

Internal peripheral connectors are found on the motherboard and are only accessible when the motherboard is outside of the chassis. This section has complete descriptions of all the internal, peripheral connectors on the WAFER-LX2.

4.2.1 AT Power Connector

CN Label:	CN17
CN Type:	4-pin AT power connector (1x4)
CN Location:	See Figure 4-3
CN Pinouts:	See Table 4-3

The 4-pin AT power connector is connected to an AT power supply.

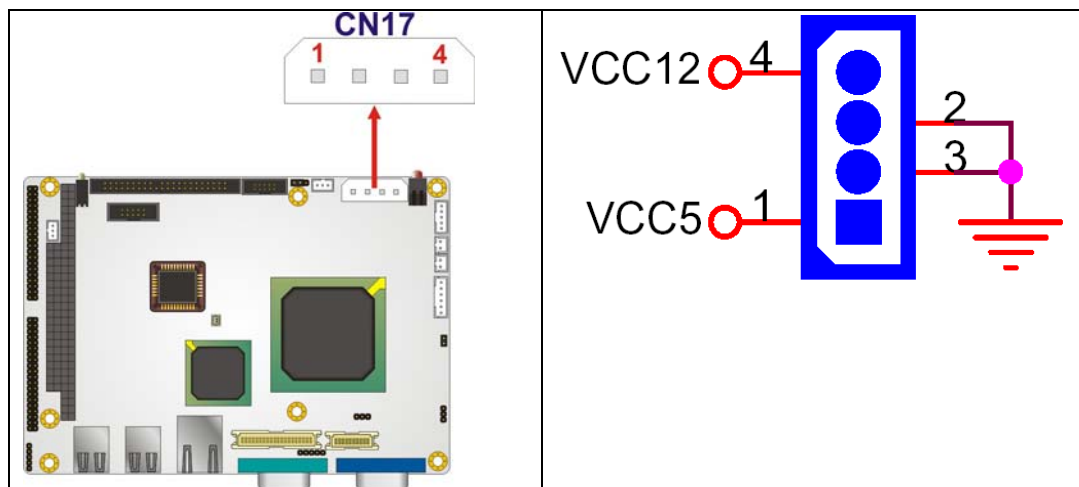


Figure 4-3: AT Power Connector Location

WAFER-LX2 3.5" Embedded SBC

PIN NO.	DESCRIPTION
1	+5V
2	GND
3	GND
4	+12V

Table 4-3: AT Power Connector Pinouts

4.2.2 ATX Power Supply Enable Connector

- CN Label:** CN16
- CN Type:** 3-pin wafer (1x3)
- CN Location:** See **Figure 4-4**
- CN Pinouts:** See **Table 4-4**

The ATX power supply enable connector enables the WAFER-LX2 to be connected to an ATX power supply. In default mode, the WAFER-LX2 can only use an AT power supply. To enable an ATX power supply the AT Power Select jumper must also be configured. Please refer to Chapter 3 for more details.

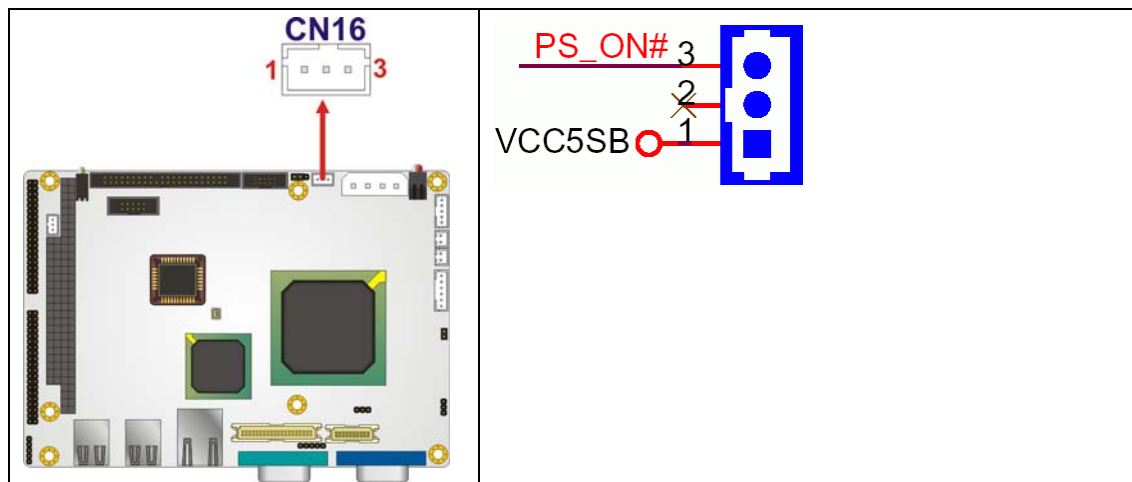


Figure 4-4: ATX Power Supply Enable Connector Location

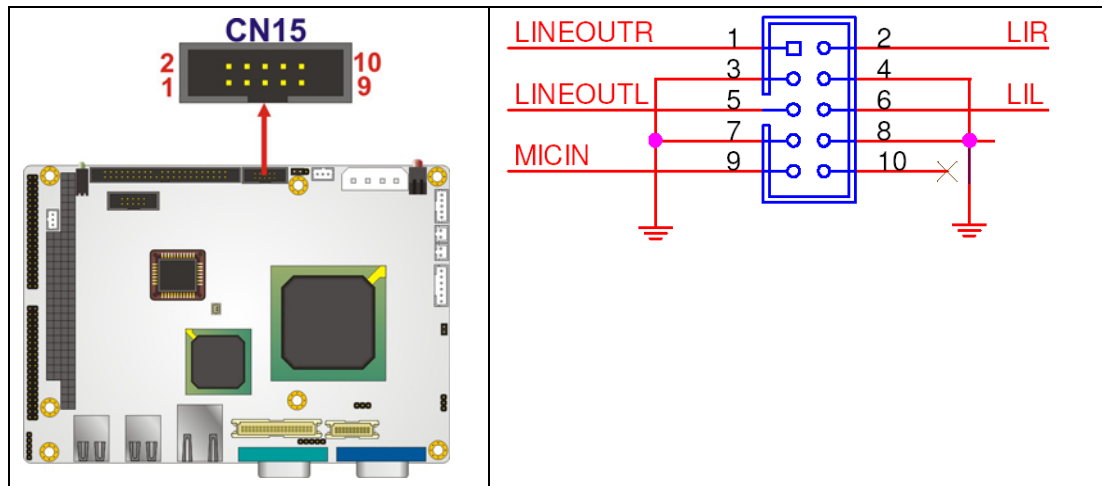
PIN NO.	DESCRIPTION
1	+5VSB
2	NC
3	PSON#

Table 4-4: ATX Power Supply Enable Connector Pinouts

4.2.3 Audio Connector (10-pin)

- CN Label:** CN15
- CN Type:** 10-pin header
- CN Location:** See **Figure 4-5**
- CN Pinouts:** See **Table 4-5**

The 10-pin audio connector is connected to external audio devices including speakers and microphones for the input and output of audio signals to and from the system.


Figure 4-5: Audio Connector Pinouts (10-pin)

PIN NO.	DESCRIPTION	PIN NO.	DESCRIPTION
1	Line out R	2	Line in R
3	GND	4	GND

WAFER-LX2 3.5" Embedded SBC

5	Line out L	6	Line in L
7	GND	8	GND
9	MIC in	10	NC

Table 4-5: Audio Connector Pinouts (10-pin)

4.2.4 Backlight Inverter Connector

- CN Label:** CN18
- CN Type:** 5-pin wafer (1x5)
- CN Location:** See **Figure 4-6**
- CN Pinouts:** See **Table 4-6**

The backlight inverter connector provides the backlight on the LCD display connected to the WAFER-LX2 with +12V of power.

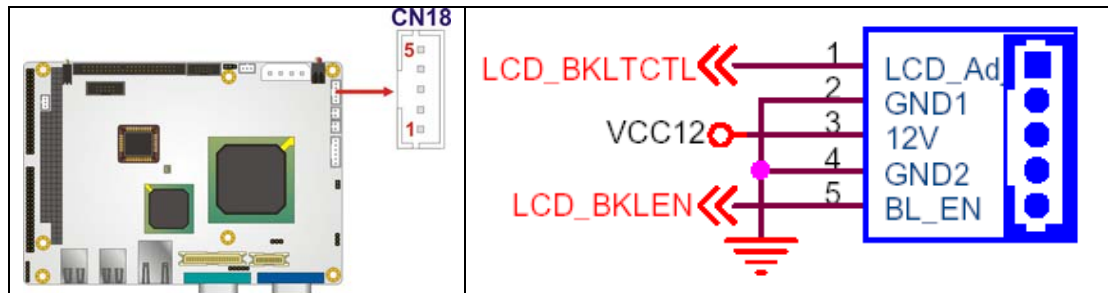


Figure 4-6: Panel Backlight Connector Pinout Locations

PIN NO.	DESCRIPTION
1	LCD_Adj
2	GROUND
3	+12V
4	GROUND
5	BACKLIGHT ENABLE

Table 4-6: Panel Backlight Connector Pinouts

4.2.5 Battery Connector

- CN Label:** CN22
- CN Type:** 2-pin wafer (1x2)
- CN Location:** See **Figure 4-7**
- CN Pinouts:** See **Table 4-7**

The battery connector is connected to a backup battery. The battery connector is also used to reset the CMOS memory if the incorrect BIOS settings have been made and the system cannot boot up.

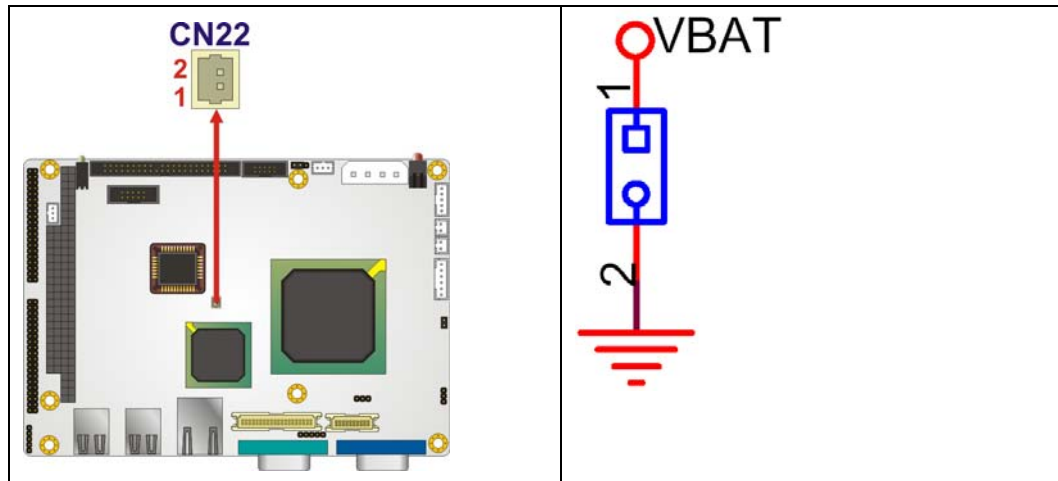


Figure 4-7: Battery Connector Location

WAFER-LX2 3.5" Embedded SBC

PIN NO.	DESCRIPTION
1	Battery+
2	Ground

Table 4-7: Battery Connector Pinouts

4.2.6 Compact Flash Socket

- CN Label:** CN24 (solder side)
- CN Type:** 50-pin header (2x25)
- CN Location:** See Figure 4-8
- CN Pinouts:** See Table 4-8

A CF Type I or Type II memory card is inserted to the CF socket on the solder side of the WAFER-LX2.

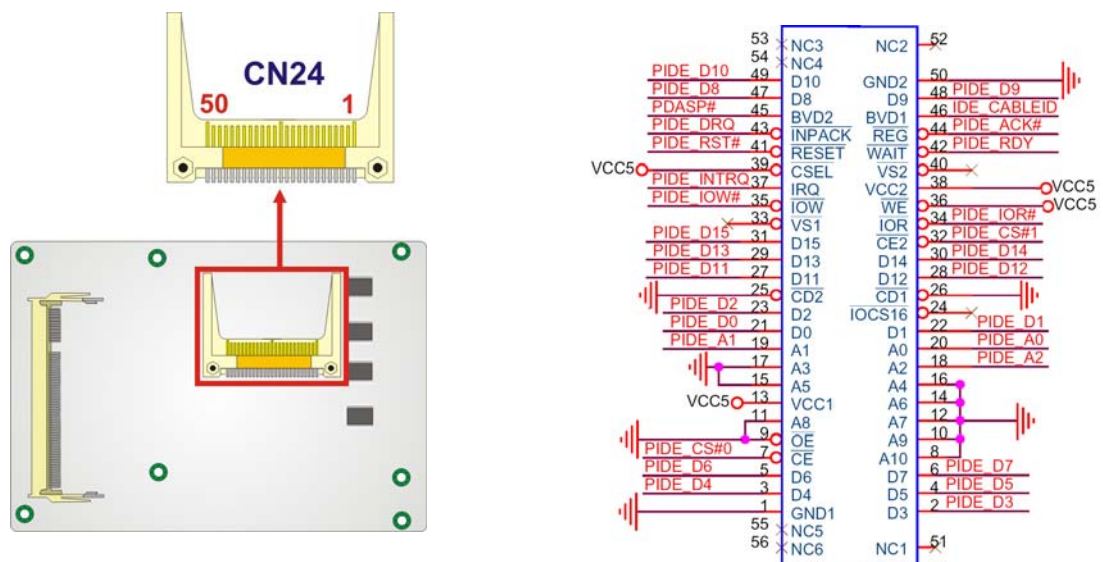


Figure 4-8: CF Card Socket Location

PIN NO.	DESCRIPTION	PIN NO.	DESCRIPTION
49	PIDE_D10	50	Ground

47	PIDE_D8	48	PIDE_D9
45	PDASP#	46	IDE_CABLEID
43	PIDE_DRQ	44	PIDE_ACK#
41	PIDE_RST#	42	PIDE_RDY
39	VCC5	40	N/C
37	PIDE_INTRQ	38	VCC5
35	PIDE_IOW#	36	VCC5
33	N/C	34	PIDE_IOR#
31	PIDE_D15	32	PIDE_CS#1
29	PIDE_13	30	PIDE_D14
27	PIDE_D11	28	PIDE_D12
25	Ground	26	Ground
23	PIDE_D2	24	N/C
21	PIDE_D0	22	PIDE_D1
19	PIDE_A1	20	PIDE_A0
17	Ground	18	PIDE_A2
15	Ground	16	Ground
13	VCC5	14	Ground
11	Ground	12	Ground
9	Ground	10	Ground
7	PIDE_CS#0	8	Ground
5	PIDE_D6	6	PIDE_D7
3	PIDE_D4	4	PIDE_D5
1	Ground 1	2	PIDE_D3

Table 4-8: CF Card Socket Pinouts

4.2.7 GPIO Connector

- CN Label:** CN14
- CN Type:** 10-pin header (2x5)
- CN Location:** See **Figure 4-9**
- CN Pinouts:** See **Table 4-9**

WAFER-LX2 3.5" Embedded SBC

The GPIO connector can be connected to external I/O control devices including sensors, lights, alarms and switches.

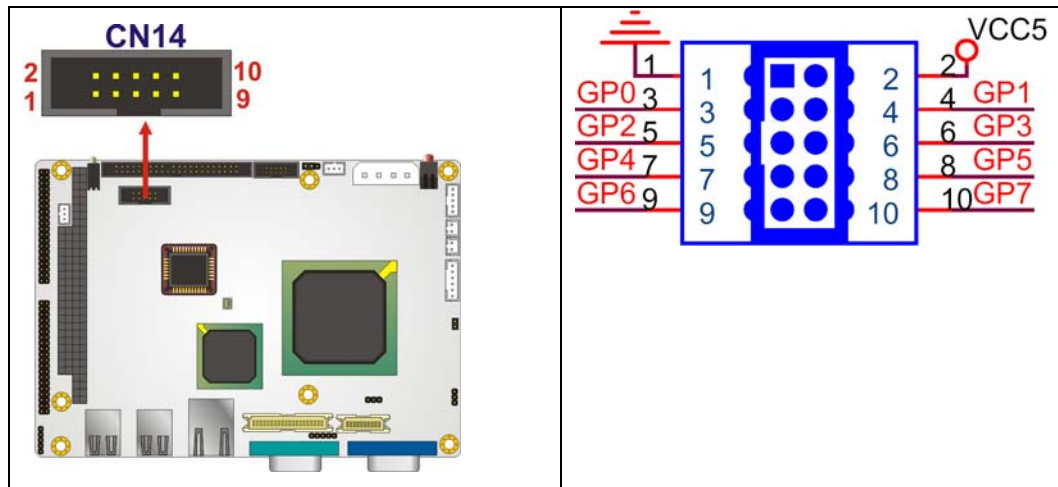


Figure 4-9: GPIO Connector Pinout Locations

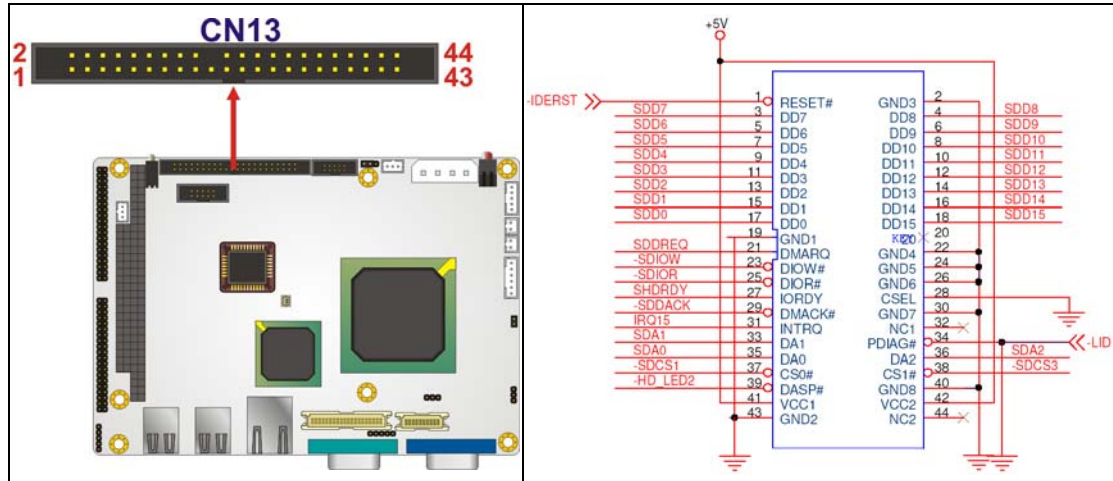
PIN NO.	DESCRIPTION	PIN NO.	DESCRIPTION
1	GND	2	+5V
3	GP0	4	GP1
5	GP2	6	GP3
7	GP4	8	GP5
9	GP6	10	GP7

Table 4-9: GPIO Connector Pinouts

4.2.8 IDE Connector(44-pin)

- CN Label:** CN13
- CN Type:** 44-pin header (2x22)
- CN Location:** See Figure 4-10
- CN Pinouts:** See Table 4-10

One 44-pin IDE device connector on the WAFER-LX2 supports connectivity to two hard disk drives.


Figure 4-10: Secondary IDE Device Connector Locations

PIN NO.	DESCRIPTION	PIN NO.	DESCRIPTION
1	RESET#	2	GROUND
3	DATA 7	4	DATA 8
5	DATA 6	6	DATA 9
7	DATA 5	8	DATA 10
9	DATA 4	10	DATA 11
11	DATA 3	12	DATA 12
13	DATA 2	14	DATA 13
15	DATA 1	16	DATA 14
17	DATA 0	18	DATA 15
19	GROUND	20	N/C
21	IDE DRQ	22	GROUND
23	IOW#	24	GROUND
25	IOR#	26	GROUND
27	IDE CHRDY	28	GROUND
29	IDE DACK	30	GROUND-DEFAULT
31	INTERRUPT	32	N/C
33	SA1	34	N/C
35	SA0	36	SA2
37	HDC CS0#	38	HDC CS1#
39	HDD ACTIVE#	40	GROUND

WAFER-LX2 3.5" Embedded SBC

41	VCC	42	VCC
43	GROUND	44	N/C

Table 4-10: Secondary IDE Connector Pinouts

4.2.9 LED Connector

- CN Label:** CN21
- CN Type:** 6-pin wafer (1x6)
- CN Location:** See Figure 4-11
- CN Pinouts:** See Table 4-11

The LED connector connects to an HDD indicator LED and a power LED on the system chassis to inform the user about HDD activity and the power on/off status of the system.

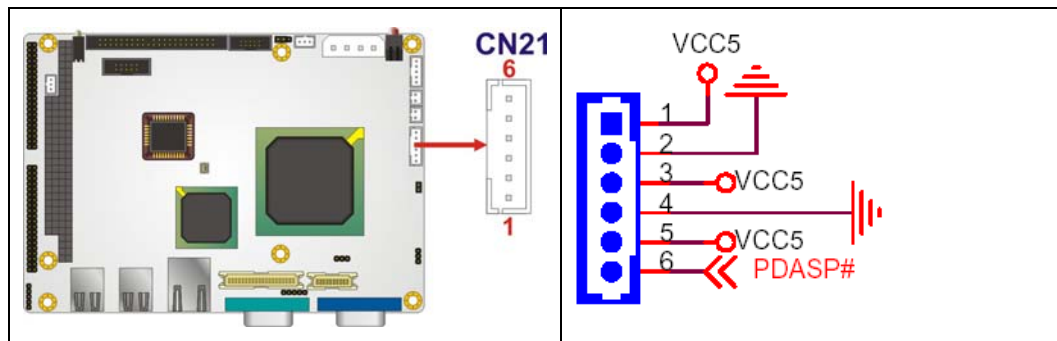


Figure 4-11: LED Connector Locations

PIN NO.	DESCRIPTION
1	+5V
2	GND
3	Power LED+
4	Power LED-
5	HDD LED+
6	HDD LED-

Table 4-11: LED Connector Pinouts

4.2.10 PC/104 Slot

- CN Label:** CN10
- CN Type:** 104-pin PC/104 slot
- CN Location:** See **Figure 4-12**
- CN Pinouts:** See **Table 4-12**

The PC/104 slot enables a PC/104 compatible expansion module to be connected to the board.

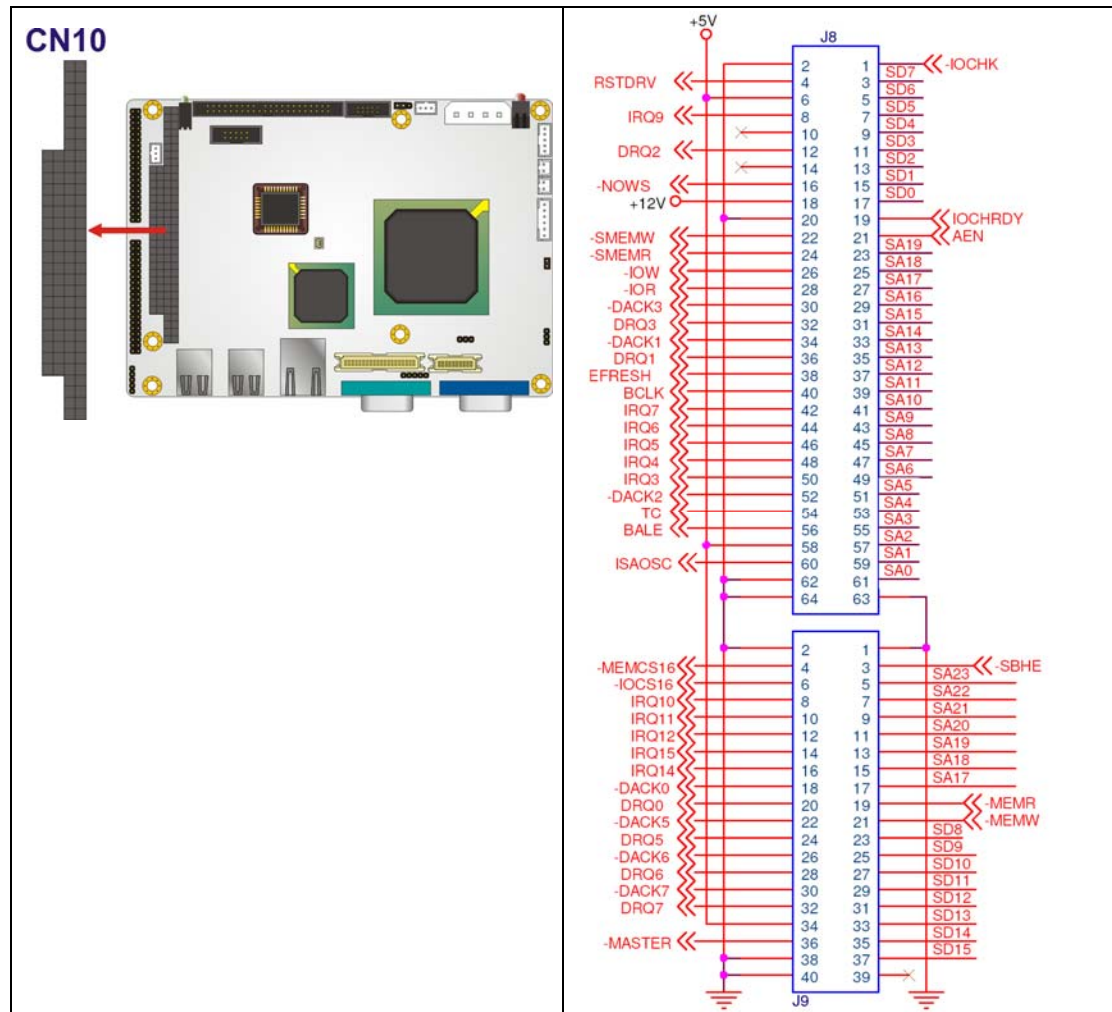


Figure 4-12: PC/104 Slot Location

WAFER-LX2 3.5" Embedded SBC

Pin No.	Column A	Column B	Column C	Column D
1	IOCHK-	GROUND	GROUND	GROUND
2	SD7	RSTDRV	SBHE-	MCS16-
3	SD6	+5V	SA23	IOCS16-
4	SD5	IRQ9	SA22	IRQ10
5	SD4	-5V	SA21	IRQ11
6	SD3	DREQ2	SA20	IRQ12
7	SD2	-12V	SA19	IRQ15
8	SD1	ZWS-	SA18	IRQ14
9	SD0	+12V	SA17	DACK0-
10	IOCHRDY	GROUND	MEMR-	DREQ0
11	AEN	SMEMW-	MEMW-	DACK5-
12	SA19	SMEMR-	SD8	DRREQ5
13	SA18	IOW-	SD9	DACK6-
14	SA17	IOR-	SD10	DREQ6
15	SA16	DACK3-	SD11	DACK7-
16	SA15	DREQ3	SD12	DREQ7
17	SA14	DACK1-	SD13	+5V
18	SA13	DREQ1	SD14	MASTER-
19	SA12	REFRESH-	SD15	GROUND
20	SA11	ISACLK	NC	GROUND
21	SA10	IRQ7		
22	SA9	IRQ6		
23	SA8	IRQ5		
24	SA7	IRQ4		
25	SA6	IRQ3		
26	SA5	DACK2-		
27	SA4	TC		
28	SA3	BALE		

29	SA2	+5V		
30	SA1	ISA_OSC		
31	SA0	GROUND		
32	GROUND	GROUND		

Table 4-12: PC/104 Slot Connector Pinouts

4.2.11 PC/104 Power Input Connector

- CN Label:** CN12
- CN Type:** 3-pin wafer (1x3)
- CN Location:** See **Figure 4-13**
- CN Pinouts:** See **Table 4-13**

The PC/104 power input connector provides power to the PC/104 expansion module installed on the PC/104 slot.

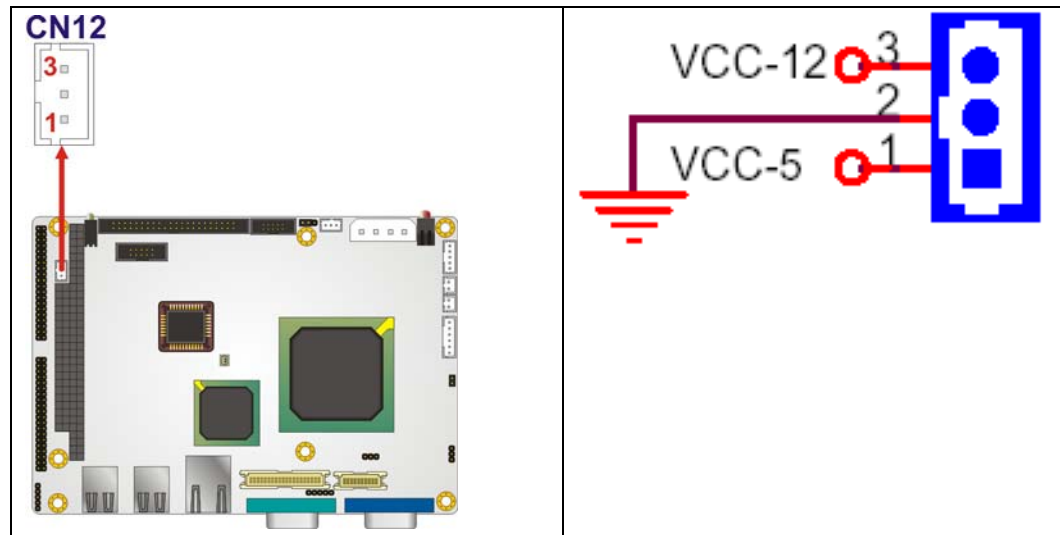


Figure 4-13: PC/104 Power Input Connector Pinouts

PIN NO.	DESCRIPTION
1	-5V
2	GND

WAFER-LX2 3.5" Embedded SBC

3	-12V
---	------

Table 4-13: PC/104 Power Input Connector Pinouts

4.2.12 Power Button Connector

CN Label:	CN19
CN Type:	2-pin wafer (1x2)
CN Location:	See Figure 4-14
CN Pinouts:	See Table 4-14

The power button connector is connected to a power switch on the system chassis to enable users to turn the system on and off.

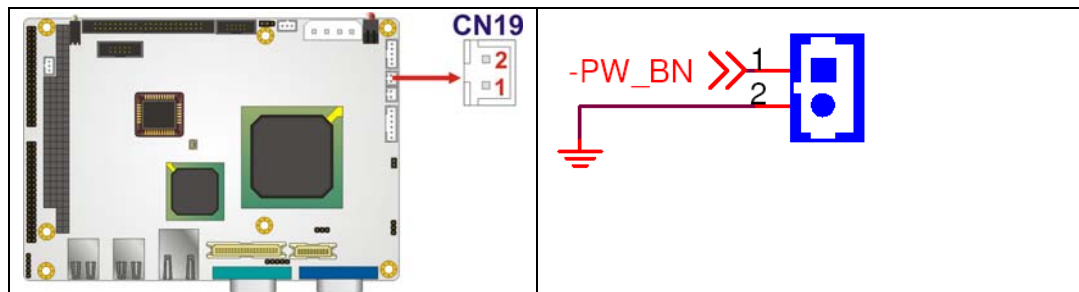


Figure 4-14: Power Button Connector Location

PIN NO.	DESCRIPTION
1	Power Switch
2	GND

Table 4-14: Power Button Connector Pinouts

4.2.13 Reset Button Connector

CN Label:	CN20
CN Type:	2-pin wafer (1x2)
CN Location:	See Figure 4-15

CN Pinouts: See **Table 4-15**

The reset button connector is connected to a reset switch on the system chassis to enable users to reboot the system when the system is turned on.

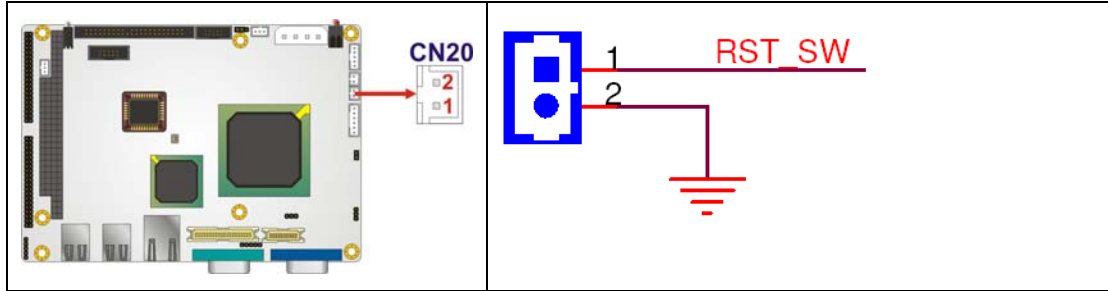


Figure 4-15: Reset Button Connector Locations

PIN NO.	DESCRIPTION
1	Reset Switch
2	GND

Table 4-15: Reset Button Connector Pinouts

4.2.14 Serial Port Connector (COM 2, COM 3 and COM 4)

- CN Label:** CN9
- CN Type:** 40-pin header (2x20)
- CN Location:** See **Figure 4-16**
- CN Pinouts:** See **Table 4-16**

The 40-pin serial port connector contains the following three serial ports, COM 2, COM 3 and COM 4. COM 3 and COM 4 are RS-232 serial communications channels. COM 2 is a multi function channel. In default mode COM 2 is an RS-232 serial communication channel but, with the COM 2 function select jumper, can be configured as either an RS-422 or RS-485 serial communications channel. The serial port locations are specified below.

WAFER-LX2 3.5" Embedded SBC

- COM 2 is located on pin 1 to pin 20
 - RS-422/485: pin 1 to pin 7
 - RS-232: pin 11 to pin 20
- COM 3 is located on pin 21 to pin 30
- COM 4 is located on pin 31 to pin 40

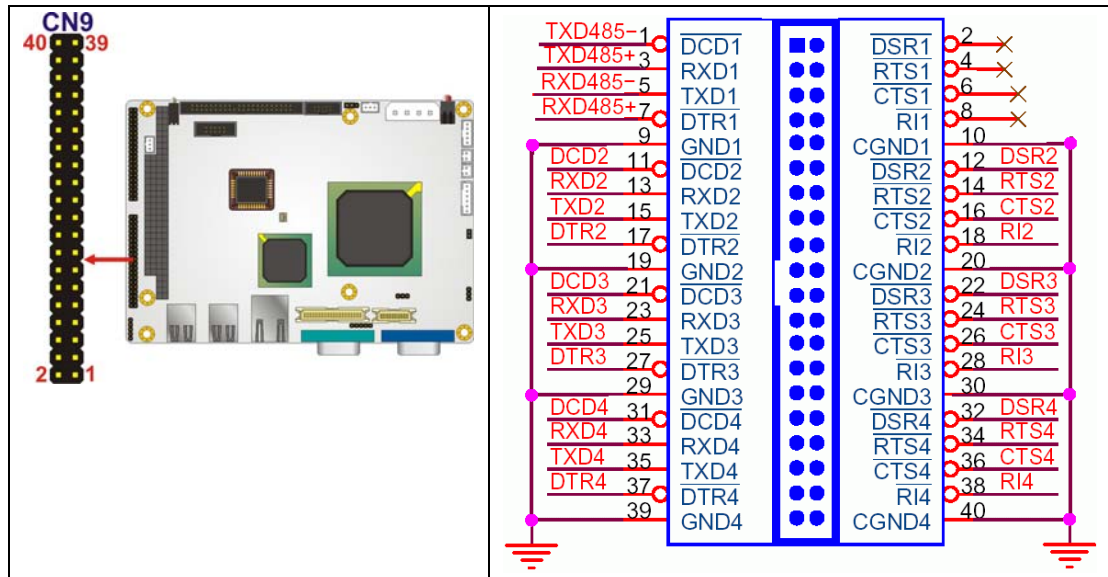


Figure 4-16: COM 2 to COM 4 Connector Pinout Locations

PIN NO.	DESCRIPTION	PIN NO.	DESCRIPTION
1	TXD485-	2	N/C
3	TXD485+	4	N/C
5	RXD485+	6	N/C
7	RXD485-	8	N/C
9	GND	10	GND
11	DCD2	12	DSR2
13	RXD2	14	RTS2
15	TXD2	16	CTS2
17	DTR2	18	RI2
19	GND	20	GND
21	DCD3	22	DSR3
23	RXD3	24	RTS3
25	TXD3	26	CTS3

27	DTR3	28	RI 3
29	GND	30	GND
31	DCD4	32	DSR4
33	RXD4	34	RTS4
35	TXD4	36	CTS4
37	DTR4	38	RI 4
39	GND	40	GND

Table 4-16: COM 2 to COM 4 Connector Pinouts

4.2.15 Serial Port Connector (COM 5, COM 6, COM 7 and COM 8)

- CN Label:** CN11
- CN Type:** 40-pin header (2x20)
- CN Location:** See **Figure 4-16**
- CN Pinouts:** See **Table 4-16**

The 40-pin serial port connector contains the following four serial ports, COM 5, COM 6, COM 7 and COM 8. All four serial ports are RS-232 serial communications channels. The serial port locations are specified below.

- COM 5 is located on pin 1 to pin 10
- COM 6 is located on pin 11 to pin 20
- COM 7 is located on pin 21 to pin 30
- COM 8 is located on pin 31 to pin 40

WAFER-LX2 3.5" Embedded SBC

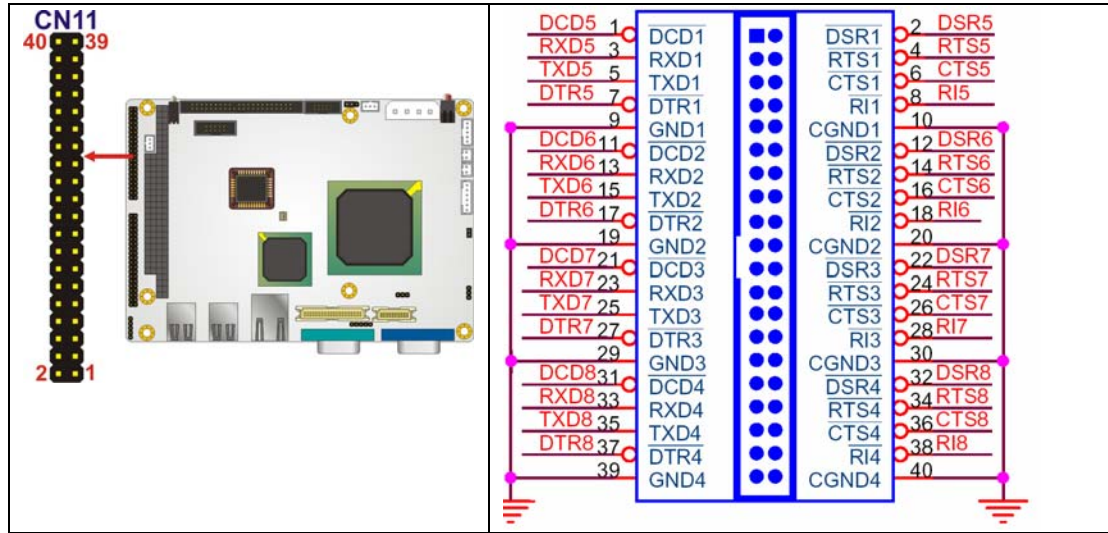


Figure 4-17: COM 5 to COM 8 Connector Pinout Locations

PIN NO.	DESCRIPTION	PIN NO.	DESCRIPTION
1	DCD5	2	DSR5
3	RXD5	4	RTS5
5	TXD5	6	CTS5
7	DTR5	8	RI 5
9	GND	10	GND
11	DCD6	12	DSR6
13	RXD6	14	RTS6
15	TXD6	16	CTS6
17	DTR6	18	RI 6
19	GND	20	GND
21	DCD7	22	DSR7
23	RXD7	24	RTS7
25	TXD7	26	CTS7
27	DTR7	28	RI 7
29	GND	30	GND
31	DCD8	32	DSR8
33	RXD8	34	RTS8
35	TXD8	36	CTS8
37	DTR8	38	RI 8

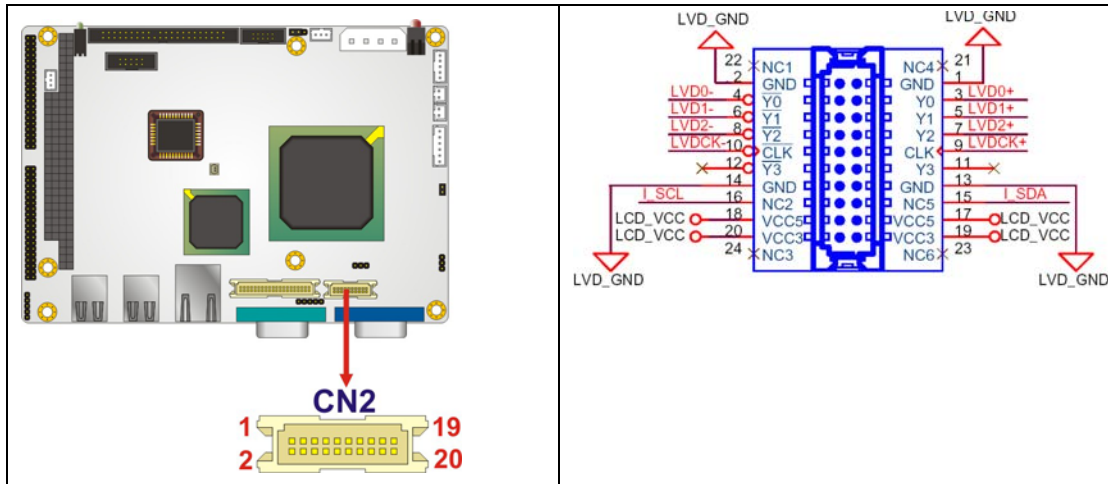
39	GND	40	GND
----	-----	----	-----

Table 4-17: COM 5 to COM 8 Connector Pinouts

4.2.16 TFT LCD LVDS Connector

- CN Label:** CN2
- CN Type:** 20-pin crimp (2x10)
- CN Location:** See **Figure 4-18**
- CN Pinouts:** See **Table 4-18**

The 20-pin TFT LCD LVDS can be connected to a TFT LCD screen directly.


Figure 4-18: TFT LCD LVDS Connector Pinout Locations

PIN NO.	DESCRIPTION	PIN NO.	DESCRIPTION
1	GND	2	GND
3	D0+	4	D0-
5	D1+	6	D1-
7	D2+	8	D2-
9	CLK+	10	CLK-
11	NC	12	NC
13	GND	14	GND

WAFER-LX2 3.5" Embedded SBC

15	SDATA	16	SCLK
17	LCD_Vcc	18	LCD_Vcc
19	LCD_Vcc	20	LCD_Vcc

Table 4-18: TFT LCD LVDS Port Connector Pinouts

4.2.17 TFT LCD TTL Connector

- CN Label:** CN4
- CN Type:** 40-pin crimp (2x20)
- CN Location:** See Figure 4-19
- CN Pinouts:** See Table 4-19

The TFT LCD LVDS can be connected to a TFT LCD screen directly.

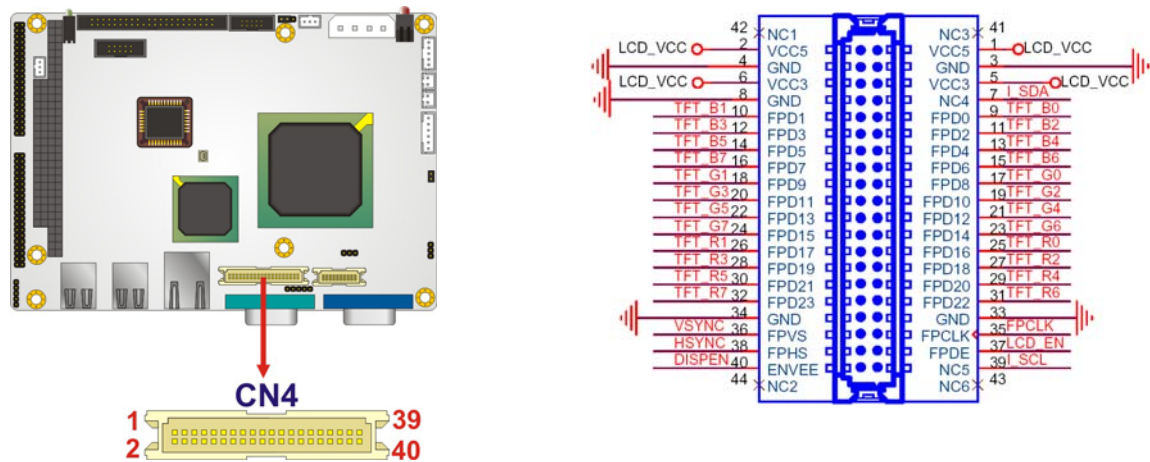


Figure 4-19: TFT LCD TTL Connector Pinout Locations

PIN NO.	DESCRIPTION	PIN NO.	DESCRIPTION
1	LCD_Vcc	2	LCD_Vcc
3	GND	4	GND
5	LCD_Vcc	6	LCD_Vcc
7	SDA	8	GND
9	B0	10	B1

11	B2	12	B3
13	B4	14	B5
15	B6	16	B7
17	G0	18	G1
19	G2	20	G3
21	G4	22	G5
23	G6	24	G7
25	R0	26	R1
26	R2	28	R3
29	R4	30	R5
31	R6	32	R7
33	GND	34	GND
35	CLK	36	VSYNC
37	LCD_EN	38	HSYNC
39	SCL	40	DISP_EN

Table 4-19: TFT LCD TTL Port Connector Pinouts

4.3 External Peripheral Interface Connectors

4.3.1 External Peripheral Interface Connector Overview

The WAFER-LX2 external peripheral interface connectors are listed below and shown in Figure 4-20:

- 1 x RJ-45 Ethernet connector
- 1 x Serial communications port
- 2 x USB combo port
- 1 x VGA port

WAFER-LX2 3.5" Embedded SBC

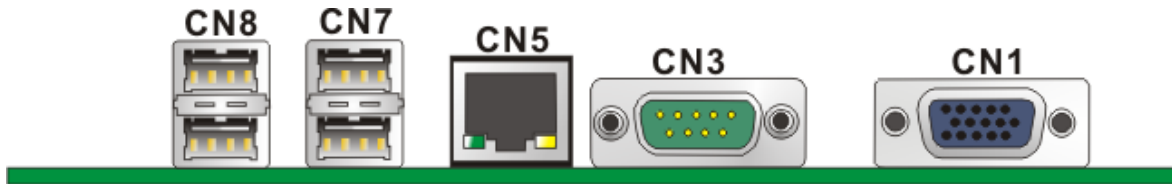


Figure 4-20: WAFER-LX2 On-board External Interface Connectors

4.3.2 RJ-45 Ethernet Connector

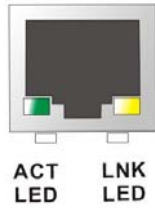
CN Label:	CN5
CN Type:	RJ-45
CN Location:	See Figure 4-20
CN Pinouts:	See Table 4-20

The RJ-45 Ethernet connector on the WAFER-LX2 provides connectivity to a 10/100 megabit Ethernet connection between the WAFER-LX2 and a Local Area Network (LAN) through a network hub.

PIN NO.	DESCRIPTION
1	TX+
2	TX-
3	RX+
4	N/C
5	N/C
6	RX-
7	N/C
8	N/C

Table 4-20: RJ-45 Ethernet Connector Pinouts

The RJ-45 Ethernet connector has two status LEDs, one green and one yellow. The green LED indicates activity on the port and the yellow LED indicates the port is linked.


Figure 4-21: J7 Connector

SPEED LED		LINK LED	
Status	Description	Status	Description
GREEN	ON: 100MB OFF: 10MB	YELLOW	ON: Linked Flashing: Activity

Table 4-21: J7 Connector LEDs

4.3.3 Serial Port Connector (COM 1)

CN Label: CN3

CN Type: DB-9 connector

CN Location: See **Figure 4-20**

CN Pinouts: See **Table 4-22** and **Figure 4-22**

The 9-pin DB-9 COM 1 serial port connector is connected to RS-232 serial communications devices.

PIN NO.	DESCRIPTION	PIN NO.	DESCRIPTION
1	DCD1	2	RXD1
3	TXD1	4	DTR1
5	GND	6	DSR1
7	RTS1	8	CTS1
9	COM_RI 1		

Table 4-22: RS-232 Serial Port (COM 1) Pinouts

WAFER-LX2 3.5" Embedded SBC

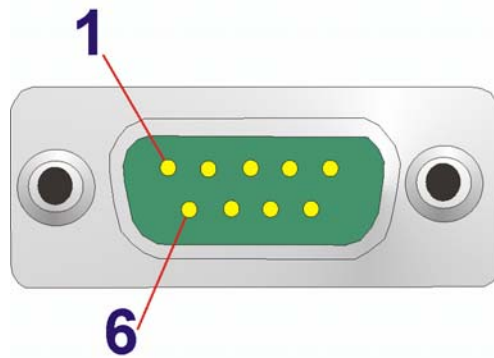


Figure 4-22: COM1 Pinout Locations

4.3.4 USB Combo Port

- CN Label:** CN7 and CN8
- CN Type:** USB Combo port
- CN Location:** See Figure 4-20
- CN Pinouts:** See Table 4-23

The two USB combo ports provide connectivity to USB devices. The USB port support both USB 1.1 and USB 2.0.

PIN NO.	DESCRIPTION	PIN NO.	DESCRIPTION
1	VCC_USB	2	DATA1-
3	DATA1+	4	GND
5	VCC_USB	6	DATA2-
7	DATA2+	8	GND

Table 4-23: USB Connector Pinouts

4.3.5 VGA Connector

- CN Label:** CN1
- CN Type:** DB15
- CN Location:** See Figure 4-20

CN Pinouts: See **Figure 4-23** and **Table 4-24**

The standard 15-pin female DB15 VGA connector connects to a CRT or LCD monitor directly.

PIN	DESCRIPTION	PIN	DESCRIPTION	PIN	DESCRIPTION
1	RED	6	GROUND	11	NC
2	GREEN	7	GROUND	12	DDCDAT
3	BLUE	8	GROUND	13	HSYNC
4	NC	9	NC	14	VSYNC
5	GROUND	10	GROUND	15	DDCCLK

Table 4-24: VGA Connector Pinouts

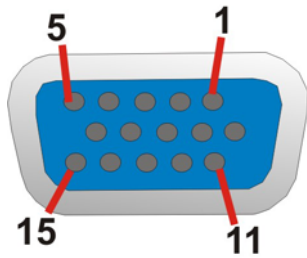


Figure 4-23: VGA Connector

Chapter

5

Installation

5.1 Anti-static Precautions



WARNING:

Failure to take ESD precautions during the installation of the WAFER-LX2 may result in permanent damage to the WAFER-LX2 and severe injury to the user.

Electrostatic discharge (ESD) can cause serious damage to electronic components, including the WAFER-LX2. Dry climates are especially susceptible to ESD. It is therefore critical that whenever the WAFER-LX2, or any other electrical component is handled, the following anti-static precautions are strictly adhered to.

- **Wear an anti-static wristband:** - Wearing a simple anti-static wristband can help to prevent ESD from damaging the board.
- **Self-grounding:**- Before handling the board touch any grounded conducting material. During the time the board is handled, frequently touch any conducting materials that are connected to the ground.
- **Use an anti-static pad:** When configuring the WAFER-LX2, place it on an anti-static pad. This reduces the possibility of ESD damaging the WAFER-LX2.
- **Only handle the edges of the PCB:-** When handling the PCB, hold the PCB by the edges.

5.2 Installation Considerations



NOTE:

The following installation notices and installation considerations should be read and understood before the WAFER-LX2 is installed. All installation notices pertaining to the installation of the WAFER-LX2 should be strictly adhered to. Failing to adhere to these precautions may lead to severe damage of the WAFER-LX2 and injury to the person installing the motherboard.

5.2.1 Installation Notices



WARNING:

The installation instructions described in this manual should be carefully followed in order to prevent damage to the WAFER-LX2, WAFER-LX2 components and injury to the user.

Before and during the installation please DO the following:

- **Read the user manual:**
 - The user manual provides a complete description of the WAFER-LX2 installation instructions and configuration options.
- **Wear an electrostatic discharge cuff (ESD):**
 - Electronic components are easily damaged by ESD. Wearing an ESD cuff removes ESD from the body and helps prevent ESD damage.
- **Place the WAFER-LX2 on an antistatic pad:**
 - When installing or configuring the motherboard, place it on an antistatic pad. This helps to prevent potential ESD damage.
- **Turn all power to the WAFER-LX2 off:**

- When working with the WAFER-LX2, make sure that it is disconnected from all power supplies and that no electricity is being fed into the system.

Before and during the installation of the WAFER-LX2 DO NOT:

- Remove any of the stickers on the PCB board. These stickers are required for warranty validation.
- Use the product before verifying all the cables and power connectors are properly connected.
- Allow screws to come in contact with the PCB circuit, connector pins, or its components.

5.2.2 Installation Checklist

The following checklist is provided to ensure the WAFER-LX2 is properly installed.

- All the items in the packing list are present (see **Chapter 4**)
- A compatible memory module is properly inserted into the slot (see **Chapter 2**)
- The CF Type I or CF Type II card is properly installed into the CF socket
- The jumpers have been properly configured
- The WAFER-LX2 is installed into a chassis with adequate ventilation
- The correct power supply is being used
- The following devices are properly connected
 - Audio kit
 - Power supply
 - Serial port cables
- The following external peripheral devices are properly connected to the chassis:
 - VGA screen
 - RS-232 serial communications device
 - USB devices

5.3 SODIMM Installation and CF Card Installation

5.3.1 SODIMM Installation



WARNING:

Using an incorrectly specified SODIMM may cause permanent damage to the WAFER-LX2. Please make sure the purchased SODIMM complies with the memory specifications of the WAFER-LX2. SODIMM specifications compliant with the WAFER-LX2 are listed in Chapter 2.

To install a SODIMM into a SODIMM socket, please follow the steps below and refer Figure 5-1.

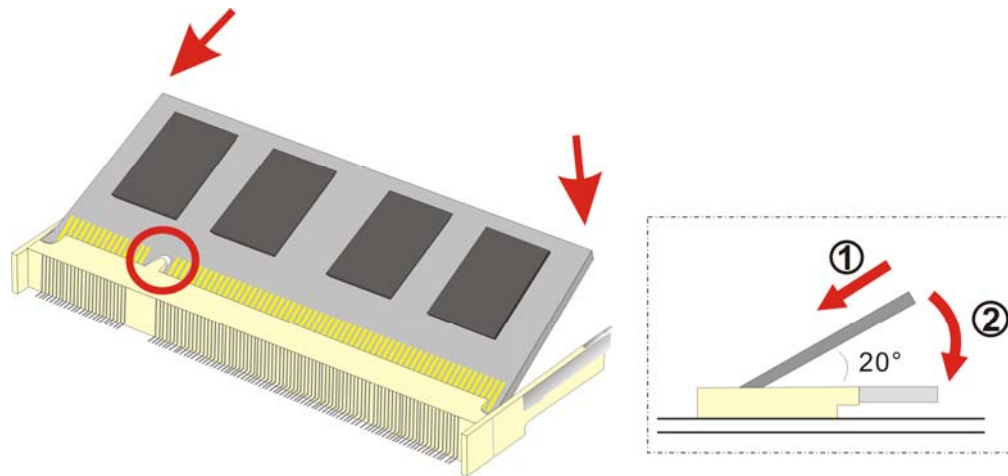


Figure 5-1: SODIMM Installation

- Step 1:** **Locate the SODIMM socket.** Place the WAFER-LX2 on an anti-static pad with the solder side facing up.
- Step 2:** **Align the SODIMM with the socket.** The SODIMM must be oriented in such a way that the notch in the middle of the SODIMM must be aligned with the plastic bridge in the socket.

- Step 3:** Insert the **SODIMM**. Push the SODIMM chip into the socket at an angle. (See **Figure 5-1**)
- Step 4:** Open the **SODIMM socket arms**. Gently pull the arms of the SODIMM socket out and push the rear of the SODIMM down. (See **Figure 5-1**)
- Step 5:** Secure the **SODIMM**. Release the arms on the SODIMM socket. They clip into place and secure the SODIMM in the socket.

5.3.2 CF Card Installation



Note:

The WAFER-LX2 can support both CF Type I cards and CF Type II cards. For the complete specifications of the supported CF cards please refer to Chapter 2.

To install the a CF card (Type 1 or Type 2) onto the WAFER-LX2, please follow the steps below:

- Step 1:** Locate the **CF card socket**. Place the WAFER-LX2 on an anti-static pad with the solder side facing up. Locate the CF card.
- Step 2:** Align the **CF card**. Make sure the CF card is properly aligned with the CF socket.
- Step 3:** Insert the **CF card**. Gently insert the CF card into the socket making sure the socket pins are properly inserted into the socket. See **Figure 5-2**.

WAFER-LX2 3.5" Embedded SBC

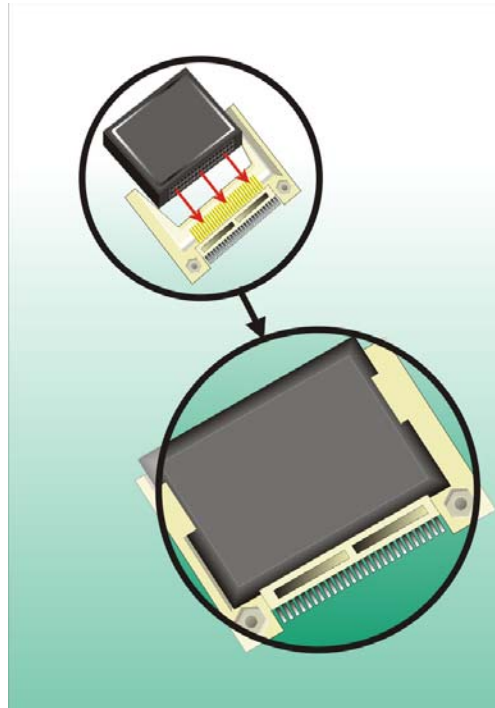


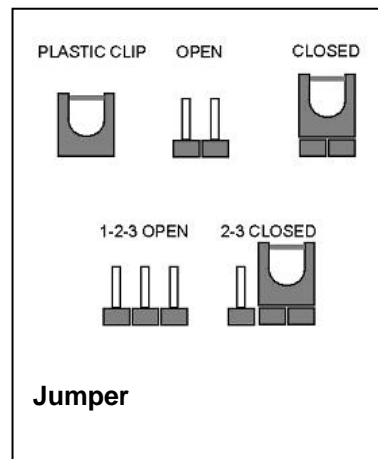
Figure 5-2: CF Card Installation

5.4 Jumper Settings



NOTE:

A jumper is a metal bridge that is used to close an electrical circuit. It consists of two metal pins and a small metal clip (often protected by a plastic cover) that slides over the pins to connect them. To CLOSE/SHORT a jumper means connecting the pins of the jumper with the plastic clip and to OPEN a jumper means removing the plastic clip from a jumper.



Before the WAFER-LX2 is installed in the system, the jumpers must be set in accordance with the desired configuration. The jumpers on the WAFER-LX2 are listed in Table 5-1.

Description	Label	Type
AT power select	JP4	2-pin header
CF mode select	JP7	3-pin header
COM 1 Pin 9 setting	JP1	5-pin header
COM 2 function select	JP3	8-pin header
LCD voltage select	JP2	3-pin header
LCD clock select	JP5	3-pin header

Table 5-1: Jumpers

5.4.1 AT Power Select Jumper Settings

- Jumper Label:** **JP4**
Jumper Type: 2-pin header
Jumper Settings: See **Table 5-2**
Jumper Location: See **Figure 5-3**

The AT Power Select jumper specifies the systems power mode as AT or ATX. AT Power Select jumper settings are shown in **Table 5-2**. If the AT power is used and the system is connected to an ATX power supply, the system will automatically turn on.

AT Power Select	Description	
Short	Use AT power	Default
Open	Use ATX power	

Table 5-2: AT Power Select Jumper Settings

The location of the AT Power Select jumper is shown in **Figure 5-3** below.

WAFER-LX2 3.5" Embedded SBC

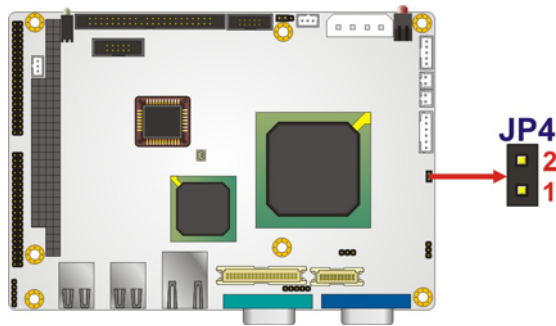


Figure 5-3: AT Power Select Jumper Location

5.4.2 Clear CMOS Jumper

Jumper Label:	CN22
Jumper Type:	2-pin header
Jumper Settings:	See Table 5-3
Jumper Location:	See Figure 5-4

If the WAFER-LX2 fails to boot due to improper BIOS settings, the CMOS can be cleared using the battery connector. Disconnect the battery from the connector for a few seconds then reconnect the battery. The CMOS should be cleared.

If the “CMOS Settings Wrong” message is displayed during the boot up process, the fault may be corrected by pressing the F1 to enter the CMOS Setup menu. Do one of the following:

- Enter the correct CMOS setting
- Load Optimal Defaults
- Load Failsafe Defaults.

After having done one of the above, save the changes and exit the CMOS Setup menu.

The clear CMOS jumper settings are shown in **Table 5-3**.

AT Power Select	Description	
Short	Keep CMOS Setup	Default
Open	Clear CMOS Setup	

Table 5-3: CN22 Clear CMOS Jumper Settings

The location of the clear CMOS jumper is shown in **Figure 5-4** below.

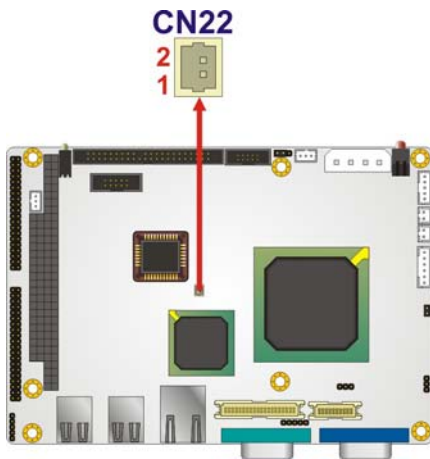


Figure 5-4: CN22 Clear CMOS Jumper

5.4.3 CF Card Setup

- Jumper Label:** JP7
- Jumper Type:** 3-pin header
- Jumper Settings:** See **Table 5-4**
- Jumper Location:** See **Figure 5-5**

The CF Card Setup jumper sets the CF Type I card or CF Type II cards as either the slave device or the master device. CF Card Setup jumper settings are shown in **Table 5-4**.

WAFER-LX2 3.5" Embedded SBC

CF Card Setup	Description	
Short 1-2	Master	
Short 2-3	Slave	Default

Table 5-4: CF Card Setup Jumper Settings

The CF Card Setup jumper location is shown in **Figure 5-5**.

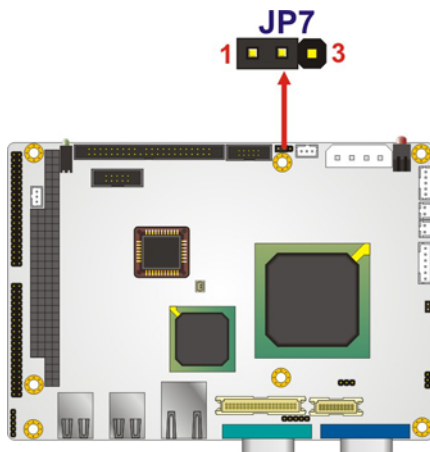


Figure 5-5: CF Card Setup Jumper Location

5.4.4 COM 1 Pin 9 Setting Jumper

Jumper Label:	JP1
Jumper Type:	5-pin header
Jumper Settings:	See Table 5-5
Jumper Location:	See Figure 5-6

The COM 1 Pin 9 Setting jumper configures pin 9 on COM 1 as either a +5V, +12V power source or as a ring-in (RI) line. The COM 1 Pin 9 Setting jumper selection options are shown in **Table 5-5**.

COM 1 RI Pin	Description	
Short 1 – 2	COM 1 Pin 9 use RI	Default
Short 2 – 3 or Short 3 – 4	COM 1 Pin 9 use +5V	
Short 4 – 5	COM 1 Pin 9 use +12V	

Table 5-5: COM 1 Pin 9 Setting Jumper Settings

The COM 1 Pin 9 Setting jumper location is shown in **Figure 5-6** below.

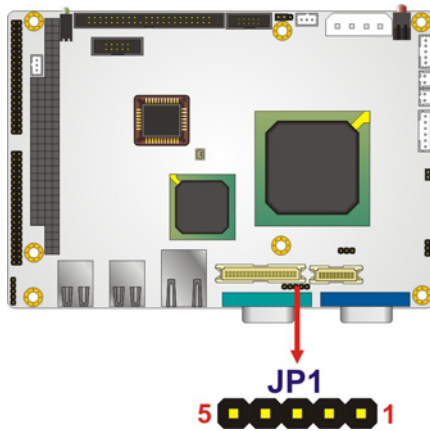


Figure 5-6: COM 1 Pin 9 Setting Jumper Location

5.4.5 COM 2 Function Select Jumper

- Jumper Label:** JP3
- Jumper Type:** 8-pin header
- Jumper Settings:** See **Table 5-8**
- Jumper Location:** See **Figure 5-9**

The COM 2 Function Select jumper sets the communication protocol used by the second serial communications port (COM 2) as RS-232, RS-422 or RS-485. The COM 2 Function Select settings are shown in **Table 5-8**.

WAFER-LX2 3.5" Embedded SBC

COM 2 Function Select	Description	
Short 1-2	RS-232	Default
Short 3-4 and 7-8	RS-422	
Short 5-6 and 7-8	RS-485	

Table 5-6: COM 2 Function Select Jumper Settings

The COM 2 Function Select jumper location is shown in **Figure 5-9**.

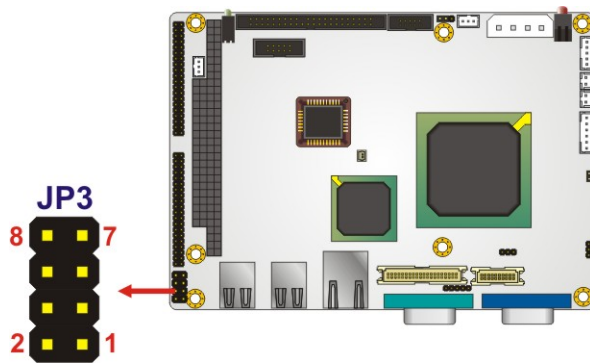


Figure 5-7: COM 2 Function Select Jumper Location

5.4.6 LCD Voltage Selection



WARNING:

Permanent damage to the screen and WAFER-LX2 may occur if the wrong voltage is selected with this jumper. Please refer to the user guide that came with the monitor to select the correct voltage.

Jumper Label:	JP2
Jumper Type:	3-pin header
Jumper Settings:	See Table 5-7
Jumper Location:	See Figure 5-8

The LCD Voltage Selection jumper allows the LCD screen voltage to be set. The LCD Voltage Selection jumper settings are shown in Table 5-7.

AT Power Select	Description	
Short 1-2	+ 3.3V LVDS	Default
Short 2-3	+5V LVDS	

Table 5-7: LCD Voltage Selection Jumper Settings

The LCD Voltage Selection jumper location. is shown in **Figure 5-8**.

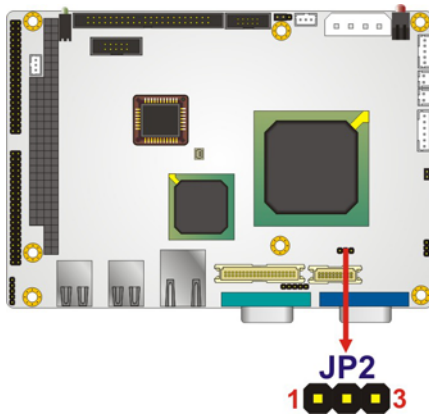


Figure 5-8: LCD Voltage Selection Jumper Location

5.4.7 LCD Clock Select Jumper

- Jumper Label:** JP5
- Jumper Type:** 3-pin header
- Jumper Settings:** See **Table 5-8**
- Jumper Location:** See **Figure 5-9**

The LCD Clock Select jumper enables the LCD clock to be inverted. The LCD Clock Select settings are shown in **Table 5-8**.

WAFER-LX2 3.5" Embedded SBC

LCD Clock Select	Description	
Short 1-2	Normal LCD Clock	Default
Short 2-3	Inverted LCD Clock	

Table 5-8: LCD Clock Select Jumper Settings

The LCD Clock Select jumper location is shown in Figure 5-9.

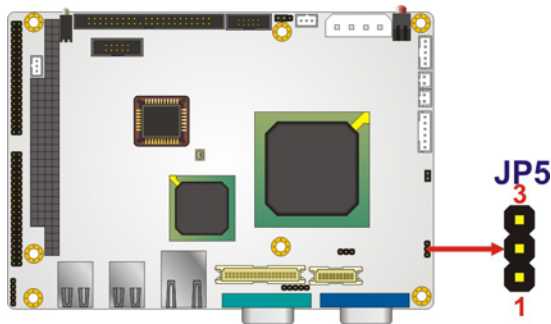


Figure 5-9: LCD Clock Select Jumper Select Jumper Location

5.5 Chassis Installation

5.5.1 Airflow



WARNING:

Airflow is critical to the cooling of the CPU and other onboard components. The chassis in which the WAFER-LX2 must have air vents to allow cool air to move into the system and hot air to move out.

The WAFER-LX2 must be installed in a chassis with ventilation holes on the sides allowing airflow to travel through the heat sink surface. In a system with an individual power supply unit, the cooling fan of a power supply can also help generate airflow through the board surface.

5.5.2 Motherboard Installation

To install the WAFER-LX2 motherboard into the chassis please refer to the reference material that came with the chassis.

5.6 Internal Peripheral Device Connections

5.6.1 Peripheral Device Cables

The cables listed in Table 5-9 are shipped with the WAFER-LX2.

Quantity	Type
1	ATA 66/100 flat cable
1	Audio cable
2	Four COM port cable

Table 5-9: IEI Provided Cables

5.6.2 ATA Flat Cable Connection

The ATA 66/100 flat cable connects to the WAFER-LX2 to one or two IDE devices. To connect an IDE HDD to the WAFER-LX2 please follow the instructions below.

Step 1: Locate the IDE connector. The location/s of the IDE device connector/s is/are shown in **Chapter 3**.

Step 2: Insert the connector. Connect the IDE cable connector to the onboard connector. See **Figure 5-10**. A key on the front of the cable connector ensures it can only be inserted in one direction.

WAFER-LX2 3.5" Embedded SBC

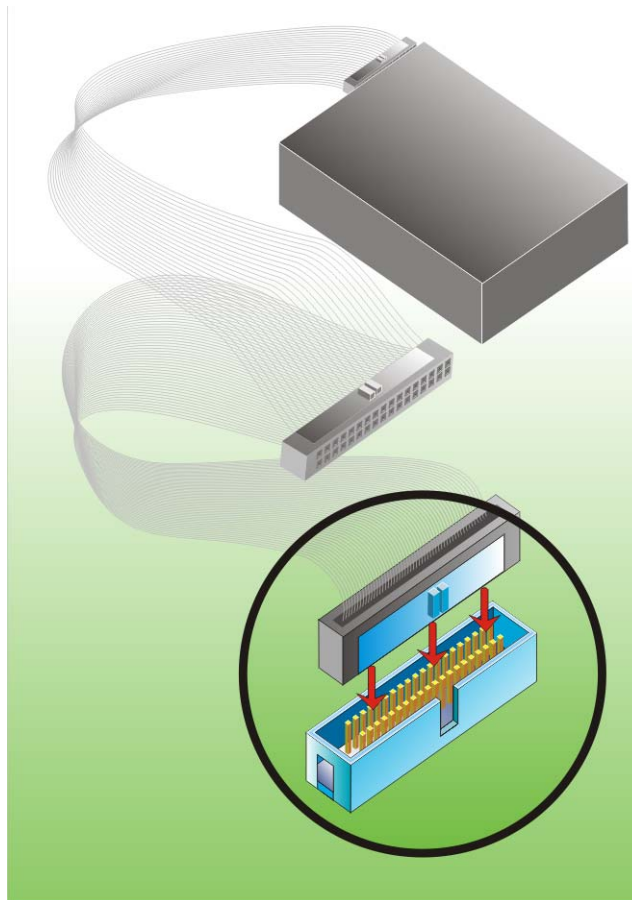


Figure 5-10: IDE Cable Connection

Step 3: **Connect the cable to an IDE device.** Connect the two connectors on the other side of the cable to one or two IDE devices. Make sure that pin 1 on the cable corresponds to pin 1 on the connector

5.6.3 Audio Kit Installation

The Audio Kit that came with the WAFER-LX2 connects to the 10-pin audio connector on the WAFER-LX2. The audio kit consists of three audio jacks. One audio jack, Mic In, connects to a microphone. The remaining two audio jacks, Line-In and Line-Out, connect to two speakers. To install the audio kit, please refer to the steps below:

Step 1: **Locate the audio connector.** The location of the 10-pin audio connector is shown in **Chapter 3**.

Step 2: **Align pin 1.** Align pin 1 on the onboard connector with pin 1 on the audio kit connector. Pin 1 on the audio kit connector is indicated with a white dot. See **Figure 5-11.**

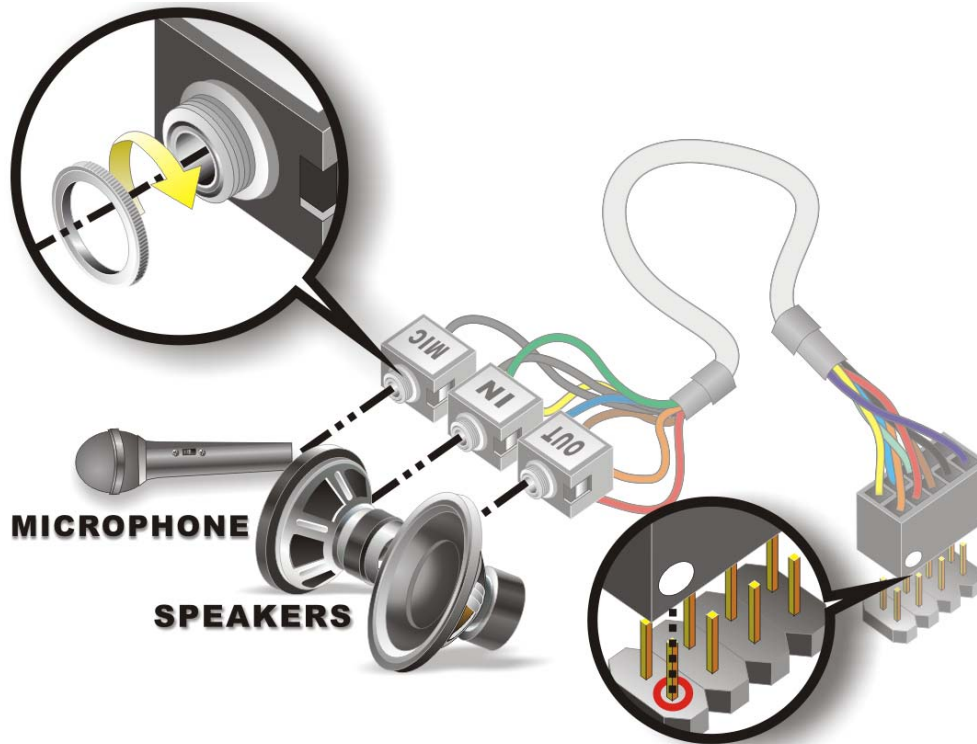


Figure 5-11: IDE Cable Connection

Step 3: **Connect the cable to an IDE device.** Connect the two connectors on the other side of the cable to one or two IDE devices. Make sure that pin 1 on the cable corresponds to pin 1 on the connector

5.6.4 Four Serial Port Connector Cable

The WAFER-LX2 is shipped with two four serial port connector cables. The four serial port connector cable connects four serial port connectors on the cable to the 40 pin serial port connectors on the WAFER-LX2. To connect the four serial port connector cable please follow the steps below.

Step 1: **Locate the serial port connector.** The location of the 40-pin serial port

WAFER-LX2 3.5" Embedded SBC

connector is shown in **Chapter 3**.

Step 2: Align the connectors. Correctly align pin 1 on the cable connector with pin 1 on the WAFER-LX2 serial port COM connector. See **Figure 5-12**.

Step 3: Insert the cable connectors Once the cable connector is properly aligned with the serial port COM connector on the WAFER-LX2, connect the cable connector to the onboard connectors. See **Figure 5-12**.

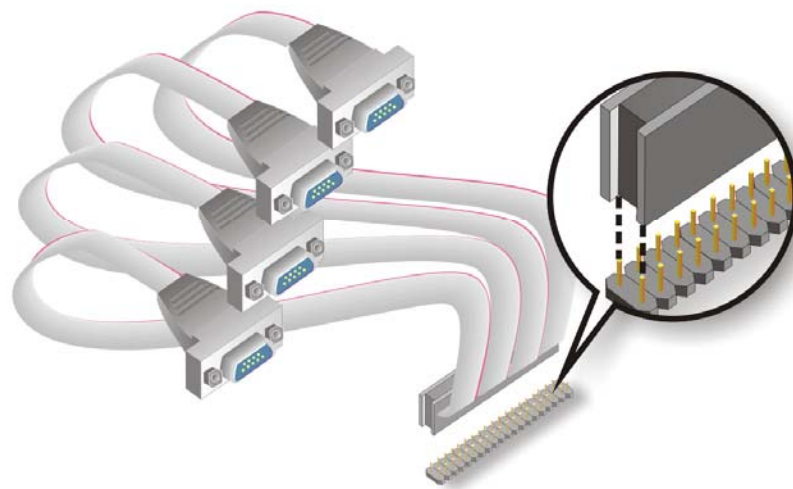


Figure 5-12: Four Serial Port Connector Cable Connection

Step 4: Attach DB-9 serial port connectors to the chassis. The four DB-9 serial port connectors can be inserted into four preformed holes in the chassis. Once inserted the DB-9 connectors should be secured to the chassis with the retention screws.

5.7 External Peripheral Interface Connection

The following external peripheral devices can be connected to the external peripheral interface connectors.



- Serial port devices
- USB devices
- VGA monitors
- RJ-45 Ethernet cable connectors

To install these devices, connect the corresponding cable connector from the actual device to the corresponding WAFER-LX2 external peripheral interface connector making sure the pins are properly aligned.

Chapter

6

AWARD BIOS

6.1 Introduction

A licensed copy of Phoenix Award BIOS is preprogrammed into the ROM BIOS. The BIOS setup program allows users to modify the basic system configuration. This chapter describes how to access the BIOS setup program and the configuration options that may be changed.

6.1.1 Starting Setup

The Phoenix Award BIOS is activated when the computer is turned on. The setup program can be activated in one of two ways.

1. Press the **DELETE** key as soon as the system is turned on or
2. Press the **DELETE** key when the “**Press Del to enter SETUP**” message appears on the screen.

If the message disappears, restart the computer and try again.

6.1.2 Using Setup

Use the arrow keys to highlight items, press **ENTER** to select, use the **PAGEUP** and **PAGEDOWN** keys to change entries, press **F1** for help and press **Esc** to quit. Navigation keys are shown below.

Key	Function
Up arrow	Move to the item above
Down arrow	Move to the item below
Left arrow	Move to the item on the left hand side
Right arrow	Move to the item on the right hand side
+ /Page up	Increase the numeric value or make changes
- /Page down	Decrease the numeric value or make changes
Esc	Main Menu – Quit and do not save changes into CMOS Status Page Setup Menu and Option Page Setup Menu -- Exit current page and return to Main Menu
F1	General help, only for Status Page Setup Menu and Option Page Setup Menu

WAFER-LX2 3.5" Embedded SBC

F2	Item help
F5	Previous values for the page menu items
F6	Fail-safe defaults for the current page menu items
F7	Optimized defaults for the current page menu items
F9	Menu in BIOS
F10	Save changes and Exit BIOS

Table 6-1: BIOS Navigation Keys

6.1.3 Getting Help

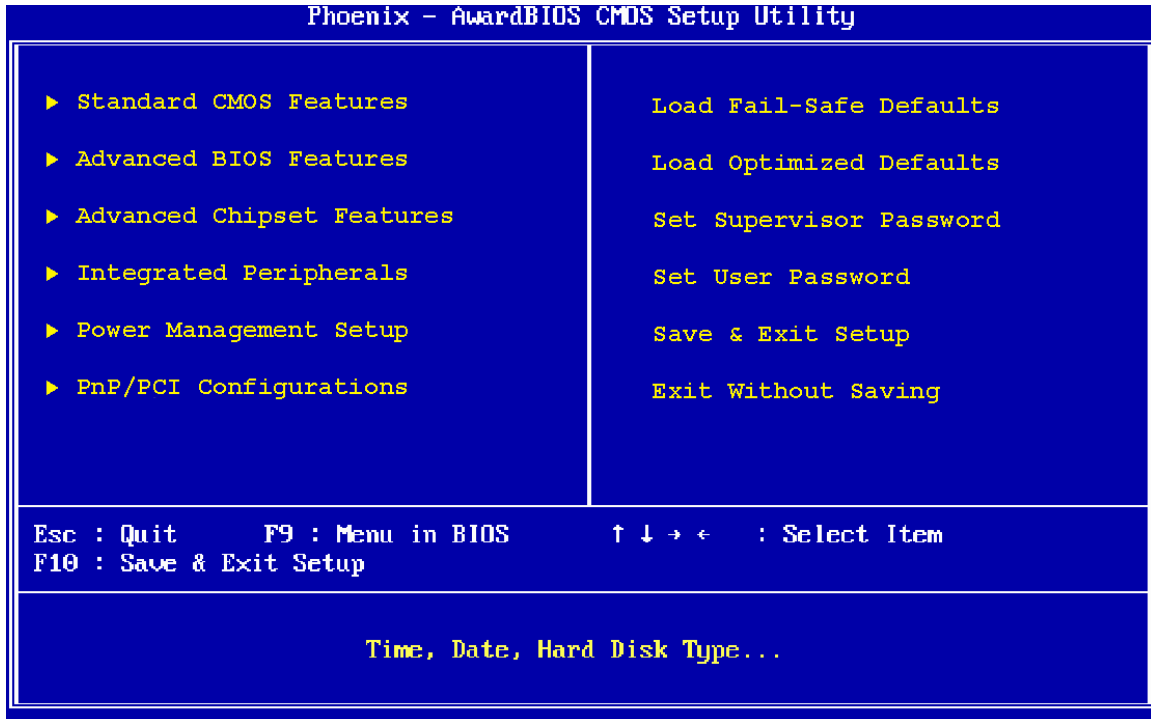
When **F1** is pressed a small help window describing the appropriate keys to use and the possible selections for the highlighted item appears. To exit the Help Window press **Esc** or the **F1** key again.

6.1.4 Unable to Reboot After Configuration Changes

If the system cannot be booted after changes are made, restore the CMOS defaults. The CPU card should come with a restore CMOS settings jumper. Refer to **Section ??** for more information.

6.1.5 Main BIOS Menu

Once the BIOS opens, the main menu (**BIOS Menu 1**) appears.



BIOS Menu 1: Award BIOS CMOS Setup Utility



NOTE:

The following sections will completely describe the menus listed below and the configuration options available to users.

The following menu options are seen in **BIOS Menu 1**.

- **Standard CMOS Features:** Changes the basic system configuration.
- **Advanced BIOS Features:** Changes the advanced system settings.
- **Advanced Chipset Features:** Changes the chipset configuration features.
- **Integrated Peripherals:** Changes the settings for integrated peripherals.
- **Power Management Setup:** Configures power saving options.
- **PnP/PCI Configurations:** Changes the advanced PCI/PnP settings.

The following user configurable options are also available in **BIOS Menu 1**:

→ Load Fail-Safe Defaults

Use the **Load Fail-Safe Defaults** option to load failsafe default values for each BIOS parameter in the setup menus. Press **F6** for this operation on any page.

→ Load Optimized Defaults

Use the **Load Optimized Defaults** option to load optimal default values for each BIOS parameter in the setup menus. Press **F7** for this operation on any page.

→ Set Supervisor Password

Use the **Set Supervisor Password** option to set the supervisor password. By default, no supervisor password is set. To install a supervisor password, select this field and enter the password. After this option is selected, a red dialogue box appears with "**Enter Password:**". Type the password and press **ENTER**. Retype the original password into the "**Confirm Password:**" dialogue box and press **ENTER**. To disable the password, simply press **ENTER** in the "**Enter Password:**" dialogue box, then press any key in the "**Password Disabled !!!**" dialogue box.

→ Set User Password

Use the **Set User Password** option to set the user password. By default no user password is set. To install a user password, select this field and enter the password. After this option is selected, a red dialogue box appears with "**Enter Password:**". Type the password and press **ENTER**. Retype the original password into the "**Confirm Password:**" dialogue box and press **ENTER**. To disable the password, simply press **ENTER** in the "**Enter Password:**" dialogue box, then press any key in the "**Password Disabled !!!**" dialogue box.

→ Save & Exit Setup

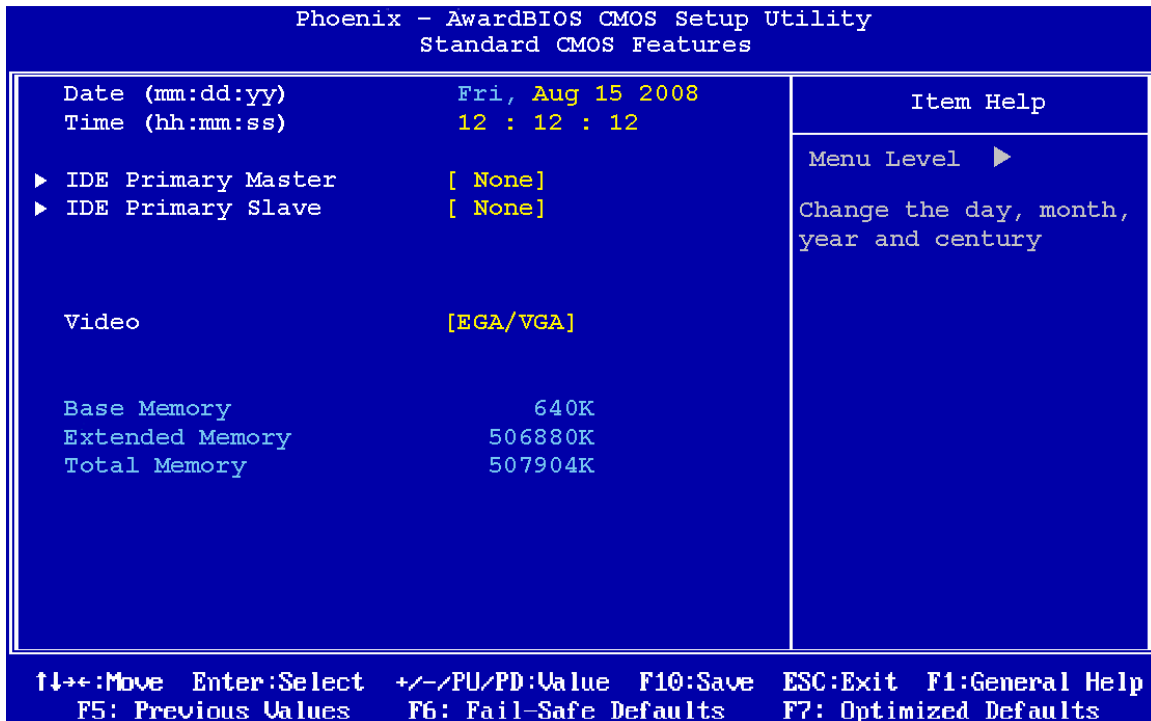
Use the **Save & Exit Setup** option to save any configuration changes made and exit the BIOS menus.

→ **Exit Without Saving**

Use the **Exit Without Saving** option to exit the BIOS menus without saving any configuration changes.

6.2 Standard CMOS Features

Use the **Standard CMOS Features** BIOS menu (**BIOS Menu 2**) to set basic BIOS configuration options.



BIOS Menu 2: Standard CMOS Features

→ **Date [Day mm:dd:yyyy]**

Use the **Date** option to set the system date.

→ **Time [hh/mm/ss]**

Use the **Time** option to set the system time.

→ IDE Master and IDE Slave

When entering setup, BIOS auto detects the presence of IDE devices. The **Standard CMOS Features** menu shows the status of the auto detected IDE devices. The following IDE devices are detected and shown in the **Standard CMOS Features** menu:

- IDE Primary Master
- IDE Primary Slave
- IDE Secondary Master
- IDE Secondary Slave

IDE device configurations are changed or set in the IDE Configuration menu. If an IDE device is detected, and one of the above listed two BIOS configuration options is selected, the IDE configuration options shown in **Section 6.2.1** appear.

→ Halt On [All, But Keyboard]

Use the **Halt On** option to specify what errors detected during the power up process stop the system.

- | | | |
|----------------------------|-----------|--|
| → All Errors | | Whenever BIOS detects a non-fatal error the system is stopped and the user prompted. |
| → No Errors | | The system boot is not stopped for any errors that may be detected. |
| → All, But Keyboard | (Default) | The system boot does not stop for a keyboard error; it stops for all other errors. |
| → All, But Diskette | | The system boot does not stop for a disk error; it stops for all other errors. |
| → All, But Disk/Key | | The system boot does not stop for a keyboard |

or a disk error; it stops for all other errors.

→ **Base Memory:**

The **Base Memory** is NOT user configurable. The POST determines the amount of base (or conventional) memory installed in the system. The value of the base memory is typically 512K for systems with 512K memory installed, or 640K for systems with 640K or more memory installed.

→ **Extended Memory**

The **Extended Memory** is NOT user configurable. The BIOS determines how much extended memory is present during the POST. This is the amount of memory above 1MB located in the memory address map of the CPU.

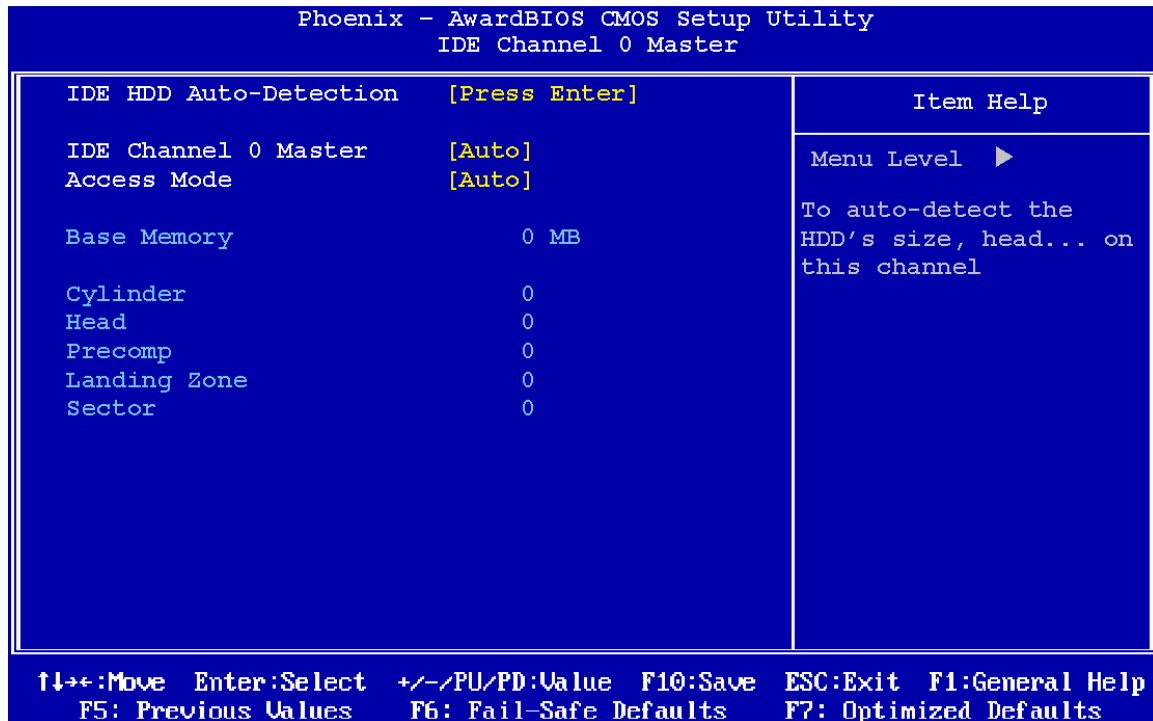
→ **Total Memory**

The **Total Memory** is NOT user configurable.

6.2.1 IDE Primary Master/Slave

Use the IDE Primary Master/Slave menu to set or change the master/slave IDE configurations.

WAFER-LX2 3.5" Embedded SBC



BIOS Menu 3: IDE Settings

→ IDE HDD Auto-Detection [Press Enter]

Use the **IDE HDD Auto-Detection** option to enable BIOS to automatically detect the IDE settings. Select **IDE HDD Auto-Detection** and press **ENTER**. BIOS automatically detects the HDD type. Do not set this option manually.

→ IDE Primary Master [Auto]

Use the **IDE Primary Master** option to activate or deactivate the following drive channels:

- Channel 0 Master
- Channel 0 Slave
- Channel 1 Master
- Channel 0 Slave

→ None

If no drives are connected to the IDE channel select this option. Once set, this IDE channel becomes

inaccessible and any drives attached to it are undetected.

- **Auto** (Default) Setting this option allows the device to be automatically detected by the BIOS.
- **Manual** Selecting this option allows manual configuration of the device on the IDE channel in BIOS.

→ Access Mode [Auto]

The **Access Mode** option can only be configured if the BIOS configuration option is set to either **Manual** or **Auto**. Use the **Access Mode** option to determine the hard disk BIOS translation modes. Most systems now use hard drives with large capacities and therefore either the LBA translation mode or auto mode should be selected.

- **CHS** Select this mode if the HDD capacity is less than 504MB.
- **LBA** Select this mode if the HDD capacity is more than 8.4GB.
- **Large** This mode is an extended ECHS mode and while it supports HDDs larger than 504MB, it is not recommended.
- **Auto** (Default) If you are unsure of what access mode to set, select this option.

→ Capacity

The **Capacity** specification indicates the storage capacity of the HDD installed in the system.

→ Cylinder

WAFER-LX2 3.5" Embedded SBC

The **Cylinder** specification indicates how many cylinders (tracks) are on the HDD installed in the system.

→ **Head**

The **Head** specification indicates how many logical heads are on the HDD installed in the system.

→ **Precomp**

The **Precomp** specification indicates on what track the write precompensation begins.

→ **Landing Zone**

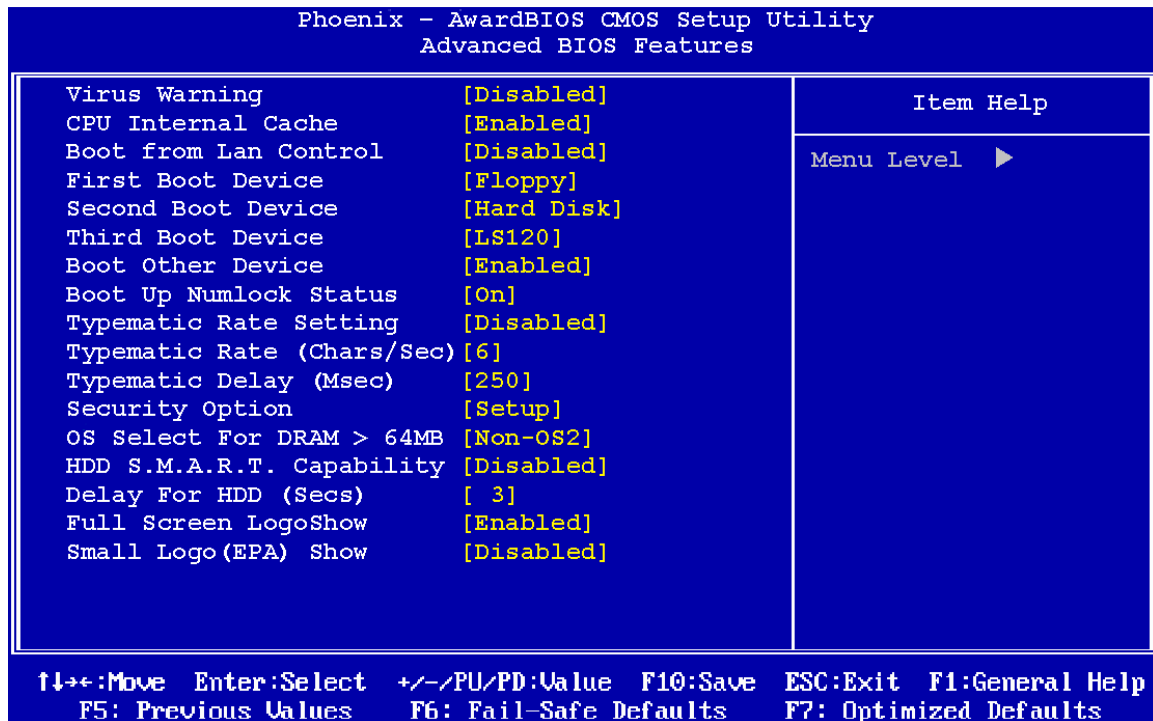
The **Landing Zone** specification indicates where the disk head will park itself after the system powers off.

→ **Sector**

The **Sector** specification indicates how many logical sectors the HDD has been divided into.

6.3 Advanced BIOS Features

Use the **Advanced BIOS Features** menu (**BIOS Menu 4**) to configure the CPU and peripheral device configuration options.



BIOS Menu 4: Advanced BIOS Features

→ Virus Warning [Disabled]



NOTE:

Many disk diagnostic programs can cause the above warning message to appear when the program attempts to access the boot sector table. If you are running such a program, it is recommended that the virus protection function be disabled beforehand.

Use the **Virus Warning** option to enable BIOS to monitor the boot sector and partition table of the HDD for any attempted modification. If a modification attempt is made, the

WAFER-LX2 3.5" Embedded SBC

BIOS halts the system and an error message appears. If necessary, an anti-virus program can then be run to locate and remove the virus before any damage is done.

- **Enabled** Activates automatically when the system boots up causing a warning message to appear when anything attempts to access the boot sector or HDD partition table.
- **Disabled** (Default) No warning message appears when there is an attempt to access the boot sector or HDD partition table.

→ CPU Internal Cache [Enabled]

Use the **CPU Internal Cache** option to enable or disable the internal CPU cache.

- **Disabled** The internal CPU cache is disabled.
- **Enabled** (Default) The internal CPU cache is enabled.

→ Boot From LAN Control [Disabled]

Use the **BOOT From LAN Control** option to enable the system to be booted from a remote system.

- **Disabled** (Default) The system cannot be booted from a remote system through the LAN.
- **Enabled** The system can be booted from a remote system through the LAN.

→ Boot Device

Use the **Boot Device** options to select the order of the devices the system boots from. There are three boot device configuration options:

- **First Boot Device** [Default: HDD-0]
- **Second Boot Device** [Default: CDR0M]

- **Third Boot Device** [Default: SCSI]

Using the default values, the system first looks for a HDD to boot from. If it cannot find an HDD, it boots from a CD-ROM. If both The HDD and the CD-ROM are unavailable, the system boots from a SCSI drive.

Boot Device configuration options are:

- LS120
- HDD-0
- SCSI
- CDROM
- HDD-1
- HDD-2
- HDD-3
- ZIP100
- USB-FDD
- USB-ZIP
- USB-CDROM
- USB-HDD
- LAN
- Disabled

➔ **Boot Other Device** [Enabled]

Use the **Boot Other Device** option to determine whether the system uses a second or third boot device if the first boot device is not found.

- ➔ **Disabled** The system does not look for second and third boot devices if the first one is not found.
- ➔ **Enabled** (Default) The system looks for second and third boot devices if the first one is not found.

WAFER-LX2 3.5" Embedded SBC

→ **Boot Up Numlock Status [On]**

Use the **Boot Up Numlock Status** option to specify the default state of the numeric keypad.

- **Off** The keys on the keypad are not activated.
- **On** (Default) Activates the keys on the keypad.

→ **Typematic Rate Setting [Disabled]**

Use the **Typematic Rate Setting** configuration option to specify if only one character is allowed to appear on the screen if a key is continuously held down. When this option is enabled, the BIOS reports as before, but it then waits a moment, and, if the key is still held down, it begins to report that the key has been pressed repeatedly. This feature accelerates cursor movement with the arrow keys.

- **Disabled** (Default) Disables the typematic rate.
- **Enabled** Enables the typematic rate.

→ **Typematic Rate (Chars/sec) [6]**

The **Typematic Rate** option can only be configured if the **Typematic Rate Setting** is enabled. Use the **Typematic Rate** option to specify the rate keys are accelerated.

- **6** (Default) 6 characters per second
- **8** 8 characters per second
- **10** 10 characters per second
- **12** 12 characters per second
- **15** 15 characters per second
- **20** 20 characters per second
- **24** 24 characters per second

→ 30 30 characters per second

→ **Typematic Delay (Msec) [250]**

The **Typematic Rate** option can only be configured if the **Typematic Rate Setting** is enabled. Use the **Typematic Delay** option to specify the delay time between when a key is first pressed and when the acceleration begins.

→ 250 (Default) 250 milliseconds

→ 500 500 milliseconds

→ 750 750 milliseconds

→ 1000 1000 milliseconds

→ **Security Option [Setup]**

Use the **Security Option** to limit access to both the system and Setup, or just Setup.

→ **Setup** (Default) The system does not boot and access to Setup is denied if the correct password is not entered at the prompt.

→ **System** The system boots, but access to Setup is denied if the correct password is not entered at the prompt.



NOTE:

To disable security, select the password setting in the Main Menu. When asked to enter a password, don't type anything, press **ENTER** and the security is disabled. Once the security is disabled, the system boots and Setup can be accessed.

WAFER-LX2 3.5" Embedded SBC

→ OS Select For DRAM > 64MB [Non-OS2]

Use the **OS Select For DRAM > 64MB** option to specify the operating system.

- **Enabled** Specifies the operating system used as OS/2.
- **Disabled (Default)** Select this option when not using the OS/2 operating system.

→ Delay for HDD (secs) [3]

Use the **Delay for HDD** option to specify the period of time the system should wait before the HDD is identified. If selected, the user is asked to enter a number between 0 and 15. The number specified is the number of seconds the system waits before the HDD is identified.

→ HDD S.M.A.R.T Capability [Disabled]

Use the **HDD S.M.A.R.T Capability** option to enable S.M.A.R.T (Self-Monitoring, Analysis, and Reporting Technology) on the drive connected to the system.

- **Enabled** S.M.A.R.T is enabled on the drive connected to the system
- **Disabled DEFAULT** S.M.A.R.T is disabled on the drive connected to the system

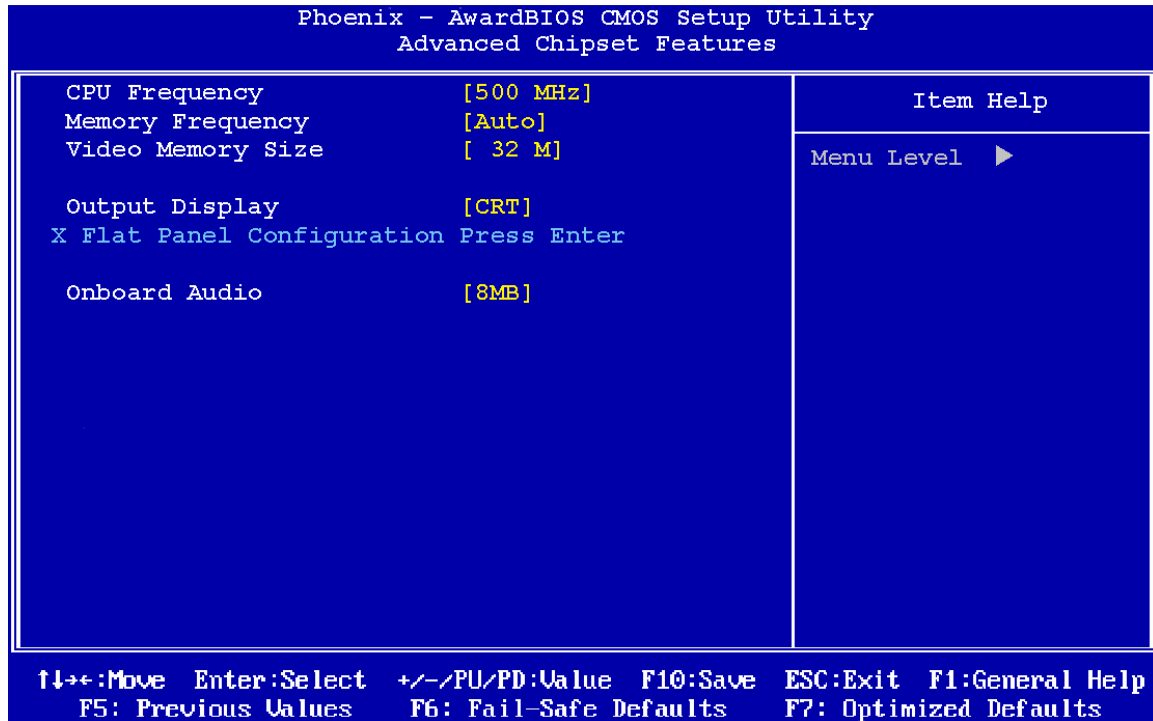
→ Small Logo (EPA) Show [Disabled]

Use the **Small Logo (EPA) Show** option to specify if the Environmental Protection Agency (EPA) logo appears during the system boot-up process. If enabled, the boot up process may be delayed.

- **Disabled (Default)** EPA logo does not appear during boot up.
- **Enabled** EPA logo appears during boot up.

6.4 Advanced Chipset Features

Use the Advanced Chipset Features menu (BIOS Menu 5) to change chipset configuration options.



BIOS Menu 5: Advanced Chipset Features

→ CPU Frequency [500MHz]

Use the **CPU Frequency** option to set the CPU frequency. The **CPU Frequency** options are:

- Auto
- 200MHz
- 333MHz
- 400MHz
- 433MHz
- 500MHz (Default)

WAFER-LX2 3.5" Embedded SBC

→ Memory Frequency [333MHz]

Use the **Memory Frequency** option to set the frequency of the installed DRAM modules.

The **Memory Frequency** options are:

- 200MHz
- 266MHz
- 333MHz (Default)
- 400MHz

→ Video Memory Size [8M]

Use the **Video Memory Size** option to determine how much memory is allocated to the video graphics device. The **Video Memory Size** options are:

- None
- 8M (Default)
- 16M
- 32M
- 64M
- 128M
- 254M

→ Output Display [Panel & CRT]

Use the **Output Display** configuration to specify the display devices the system is connected to. The **Output Display** options are:

- Flat Panel
- CRT
- Panel & CRT (Default)

→ Flat Panel Configuration [Press Enter]

Use the Flat Panel Configuration option to open the Flat Panel Configuration menu. The Flat Panel Configuration options are shown in Section 6.4.1.

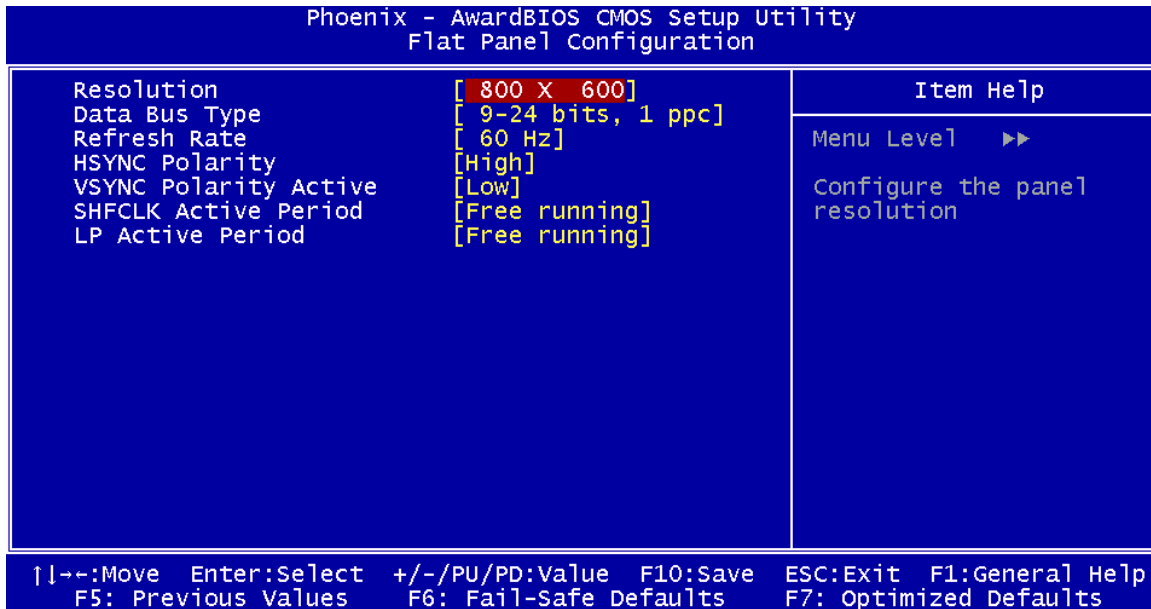
➔ **OnBoard Audio [Enabled]**

Use the **OnBoard Audio** option to enable or disable the onboard codec.

- ➔ **Disabled** The onboard codec is disabled.
- ➔ **Enabled** (Default) The onboard codec is detected and enabled.

6.4.1 Flat Panel Configuration

Use the **Flat Panel Configuration** menu (**BIOS Menu 6**) to set the configuration settings for the flat panel screen connected to the system.



BIOS Menu 6: Flat Panel Configuration

➔ **Resolution [800 x 600]**

The **Resolution** option can only be configured if the **Flat Panel Type** option is not set to **Auto**. Use the **Resolution** option to set the resolution of the flat panel screen connected to the system. The **Resolution** options are:

- 320 x 240
- 640 x 480

WAFER-LX2 3.5" Embedded SBC

- 800 x 600 (Default)
- 1024 x 768
- 1152 x 864
- 1280 x 1024
- 1600 x 1200

→ Data Bus Type [9 – 24 bits, 1 ppc]

The **Data Bus Type** option can only be configured if the **Flat Panel Type** option is not set to **Auto**. Use the **Data Bus Type** option to set the bus type and the data bus width used to transfer data between the system and the flat panel screen connected to the system. The **Data Bus Type** options are:

- 9-24 bits, 1 ppc (Default)
- 18, 24 bits, 2 ppc

→ Refresh Rate [60Hz]

The **Refresh Rate** option can only be configured if the **Flat Panel Type** option is not set to **Auto**. Use the **Refresh Rate** option to set the screen refresh rate required by the panel connected to the system. Check the documentation that came with the panel before setting this option. The **Refresh Rate** options are:

- 60Hz (Default)
- 70Hz
- 72Hz
- 75Hz
- 85Hz
- 90Hz
- 100Hz

→ HSYNC Polarity [High]

The **HSYNC Polarity** option can only be configured if the **Flat Panel Type** option is not set to **Auto**. Use the **HSYNC Polarity** option to set the polarity of the HSYNC signal to the panel. The **HSYNC Polarity** options are:

- High
- Low (Default)

→ VSYNC Polarity Active [Low]

The **VGSYNC Polarity Active** option can only be configured if the **Flat Panel Type** option is not set to **Auto**. Use the **VGSYNC Polarity Active** option to set the polarity of the VSYNC signal to the panel. The **VGSYNC Polarity Active** options are:

- High
- Low (Default)

→ SHFCLK Active Period [Free Running]

Use the **SHFCLK Active Period** option to set the SHFCLK. The **SHFCLK Active Period** options are:

- Active Only
- Free running (Default)

→ LP Active Period [Free Running]

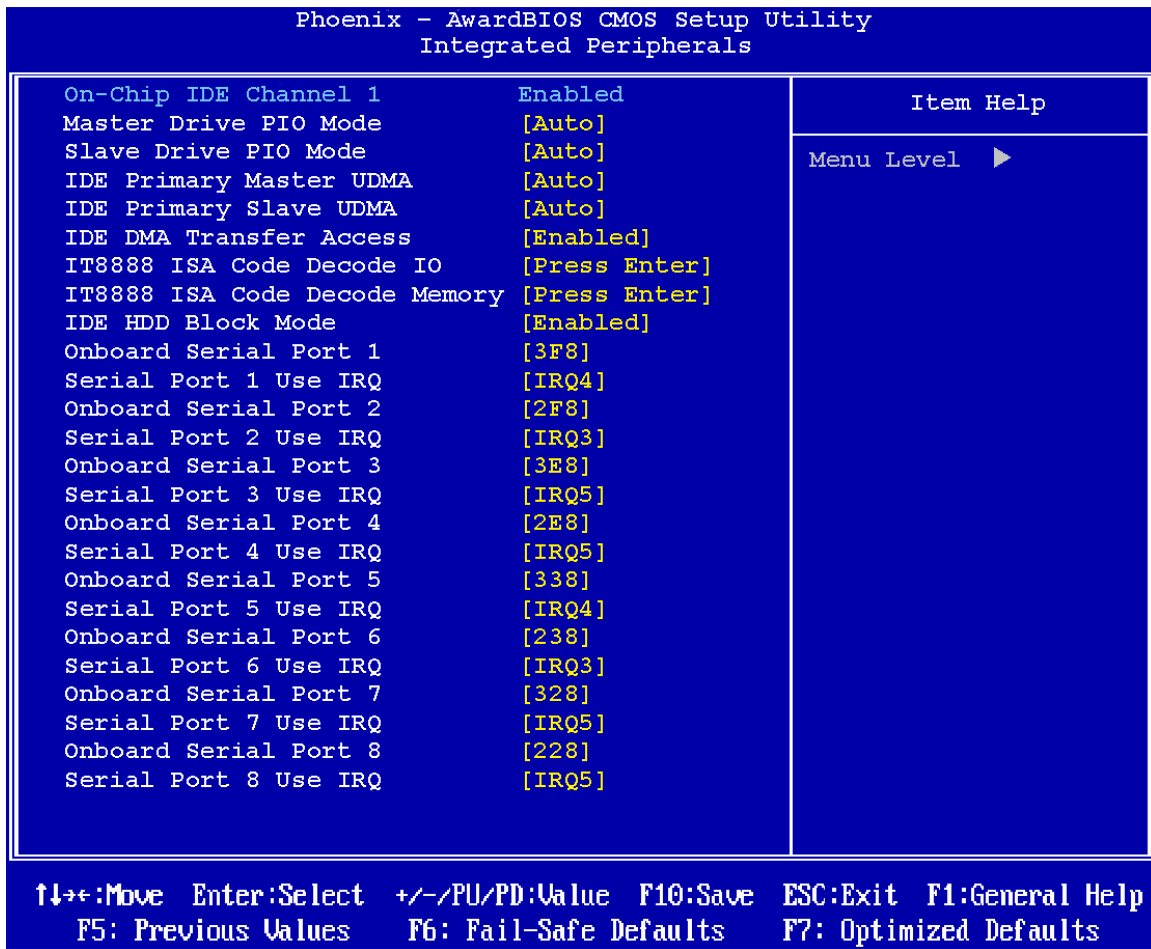
Use the **LP Active Period** option to set the LDE/MOD signal to the panel. The **LP Active Period** options are:

- Active Only
- Free running (Default)

6.5 Integrated Peripherals

Use the Integrated Peripherals menu (BIOS Menu 7) to change the configuration options for the attached peripheral devices.

WAFER-LX2 3.5" Embedded SBC



BIOS Menu 7: Integrated Peripherals

→ On-Chip IDE Channel 1 [Enabled]

Use the **On-Chip IDE Channel 1** option to specify if the system uses the integrated primary IDE channel or not.

- **Disabled** The primary IDE channel is not used.
- **Enabled** (Default) The primary IDE channel is used.

→ Drive PIO Mode [Auto]

Use the **Drive PIO Mode** options below to select the Programmed Input/Output (PIO) mode for the following HDDs:

- Master Drive PIO Mode
- Slave Drive PIO Mode

- ➔ **Auto** (Default) The computer selects the correct mode.
- ➔ **Mode 0** PIO mode 0 selected with a maximum transfer rate of 3.3MBps.
- ➔ **Mode 1** PIO mode 1 selected with a maximum transfer rate of 5.2MBps.
- ➔ **Mode 2** PIO mode 2 selected with a maximum transfer rate of 8.3MBps.
- ➔ **Mode 3** PIO mode 3 selected with a maximum transfer rate of 11.1MBps.
- ➔ **Mode 4** PIO mode 4 selected with a maximum transfer rate of 16.6MBps.
- ➔ **Mode 5** PIO mode 5 selected with a maximum transfer rate of 22.2MBps.

➔ **IDE UDMA [Auto]**

Use the **IDE UDMA** option below to select the Ultra DMA (UDMA) mode for the following HDDs:

- IDE Primary Master UDMA
- IDE Primary Slave UDMA

- ➔ **Auto** (Default) The computer selects the correct UDMA.
- ➔ **Disabled** The UDMA for the HDD device is disabled.

WAFER-LX2 3.5" Embedded SBC

→ IDE DMA transfer access [Enabled]

Use the **IDE DMA transfer access** option to enable or disable DMA support for IDE devices connected to the system.

→ **Disabled** All IDE drive DMA transfers are disabled. The IDE drives use PIO mode transfers.

→ **Enabled** (Default) All IDE drive DMA transfers are enabled.

→ IT8888 ISA Decode IO

Use the IT8888 ISA Decode IO menu (**BIOS Menu 8**) to set the IO memory range for the onboard ISA. See **Section 6.5.1**.

→ IT8888 ISA Decode Memory

Use the **IT8888 ISA Decode Memory** (**BIOS Menu 9**) to set the resources for the onboard ISA bus. See **Section 6.5.2**.

→ IDE HDD Block Mode [Enabled]

If the drive connected to the system supports block mode, use the **IDE HDD Block Mode** option to enable the system to detect the optimal number of block read/writes per sector the system IDE drive can support. Block mode is also called block transfer, multiple commands, or multiple sector read/write.

→ **Disabled** Block mode is not supported.

→ **Enabled** (Default) Block mode is supported.

→ Onboard Serial Port N

Use the **Onboard Serial Port N** option to select the I/O address for the Nth onboard serial port. The I/O address for the following onboard serial ports can be set.

- Disabled

- Onboard Serial Port 1
- Onboard Serial Port 2
- Onboard Serial Port 3
- Onboard Serial Port 4
- Onboard Serial Port 5
- Onboard Serial Port 6
- Onboard Serial Port 7
- Onboard Serial Port 8

→ **Serial Port N Use IRQ**

Use the **Serial Port N Use IRQ** option to select the IRQ for the Nth onboard serial port.

The IRQ for the following serial ports can be used:

- Serial Port 1 Use
- Serial Port 2 Use
- Serial Port 3 Use
- Serial Port 4 Use
- Serial Port 5 Use
- Serial Port 6 Use
- Serial Port 7 Use
- Serial Port 8 Use

6.5.1 IT8888 ISA Decode IO

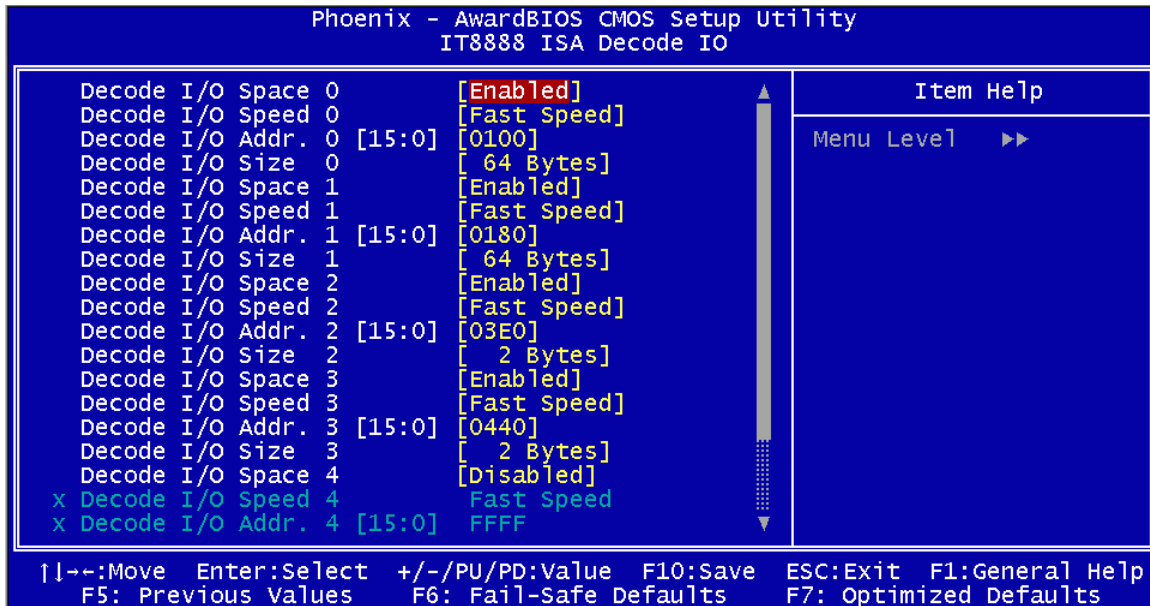


NOTE:

Five PCI-104 devices can be stacked onto the WAFER-LX2 motherboard. If these devices are stacked onto the board, the ISA bus space should be enabled. If no PCI-104 devices are being used, disable all the buses. Disabling these buses frees up system resources that can be allocated to other system applications.

WAFER-LX2 3.5" Embedded SBC

Use the **IT8888 ISA Decode IO** menu (**BIOS Menu 8**) to set the IO memory range for the onboard ISA.



BIOS Menu 8: IT8888 ISA Decode IO

The IT8888 ISA Decode IO menu has the following common options:

- Decode I/O Space N
- Decode I/O Speed N
- Decode I/O Addr. N [15:0]
- Decode I/O Size N

Where N is an integer in the set [1, 2, 3, 4] and represents a set for the PCI-104 devices that are attached to the system.

→ Decode IO Space N [Enabled]

Use the **Decode IO Space N** option to allocate system resources to the ISA bridge and to enable the Nth PCI-104 to function correctly.

→ Disabled

The Nth IO set is disabled and the system resources are reallocated to other applications.

→ **Enabled** (Default) The Nth IO set is enabled and dedicated system resources are allocated to the Nth ISA bus.

→ **Decode IO Speed N [Fast Speed]**

Use the **Decode IO Speed N** option to specify the speed of the Nth ISA bus. The following options are available:

- Fast Speed
- Middle Speed
- Slow Speed
- Subtractive Speed

→ **Decode IO Address N 0:15 [xx]**

Use the **Decode IO Address N 0:15** option to allocate an address to the ISA bus. The address may range from **0001** to **FFFF**.

→ **Decode IO Size N [Fast Speed]**

Use the **Decode IO Size N** option to specify the size of the ISA bus. The following options are available:

- 1 Byte
- 2 Bytes
- 4 Bytes
- 8 Bytes
- 16 Bytes
- 32 Bytes
- 64 Bytes
- 128 Bytes

WAFER-LX2 3.5" Embedded SBC

6.5.2 IT8888 ISA Decode Memory



NOTE:

Five PCI-104 devices can be stacked onto the WAFER-LX2 motherboard. If these devices are stacked onto the board, the ISA memory should be enabled. If no PCI-104 devices are being used, disable all the memory allocations for these buses. Disabling the memory allocations frees up system resources that can be allocated to other system applications.

Use the **IT8888 ISA Decode Memory (BIOS Menu 9)** to set the resources for the onboard ISA bus.

```

Phoenix - AwardBIOS CMOS Setup Utility
IT8888 ISA Decode Memory

Decode Memory Space 0      [Enabled]
Decode Memory Speed 0      [Fast Speed]
Decode Memory Addr. 0      [D00]
Decode Memory Size 0       [ 64 KB]
Decode Memory Space 1      [Disabled]
x Decode Memory Speed 1     Subtractive Speed
x Decode Memory Addr. 1     000
x Decode Memory Size 1     16 KB
Decode Memory Space 2      [Disabled]
x Decode Memory Speed 2     Subtractive Speed
x Decode Memory Addr. 2     000
x Decode Memory Size 2     16 KB
Decode Memory Space 3      [Disabled]
x Decode Memory Speed 3     Subtractive Speed
x Decode Memory Addr. 3     000
x Decode Memory Size 3     16 KB

Item Help
Menu Level  >>

| |<-:Move  Enter:Select  +/-/PU/PD:Value  F10:Save  ESC:Exit  F1:General Help
F5: Previous Values  F6: Fail-Safe Defaults  F7: Optimized Defaults
    
```

BIOS Menu 9: IT8888 ISA Decode Memory

The IT8888 ISA Decode IO menu has the following common options:

- Decode Memory Space N
- Decode Memory Speed N
- Decode Memory Addr. N [15:0]
- Decode Memory Size N

Where N is an integer in the set [1, 2, 3, 4, 5] and represents a memory set for the PCI-104 devices that are attached to the system.

→ Decode Memory Space N [Enabled]

Use the **Decode IO Memory N** option to allocate memory resources to the ISA bridge and to enable the PCI-104 to function correctly.

- **Disabled** The Nth memory set is disabled and the system memory resources are reallocated to other applications.
- **Enabled** (Default) The Nth memory set is enabled and dedicated system memory resources are allocated to the ISA bus.

→ Decode Memory Speed N [Fast Speed]

Use the **Decode Memory Speed N** option to specify the memory speed of the ISA bus.

The following options are available:

- Fast Speed
- Middle Speed
- Slow Speed
- Subtractive Speed

→ Decode Memory Address N [xx]

Use the **Decode Memory Address N** option to allocate an address to the memory of the ISA bus. The address may range from **0001** to **FFFF**.

WAFER-LX2 3.5" Embedded SBC

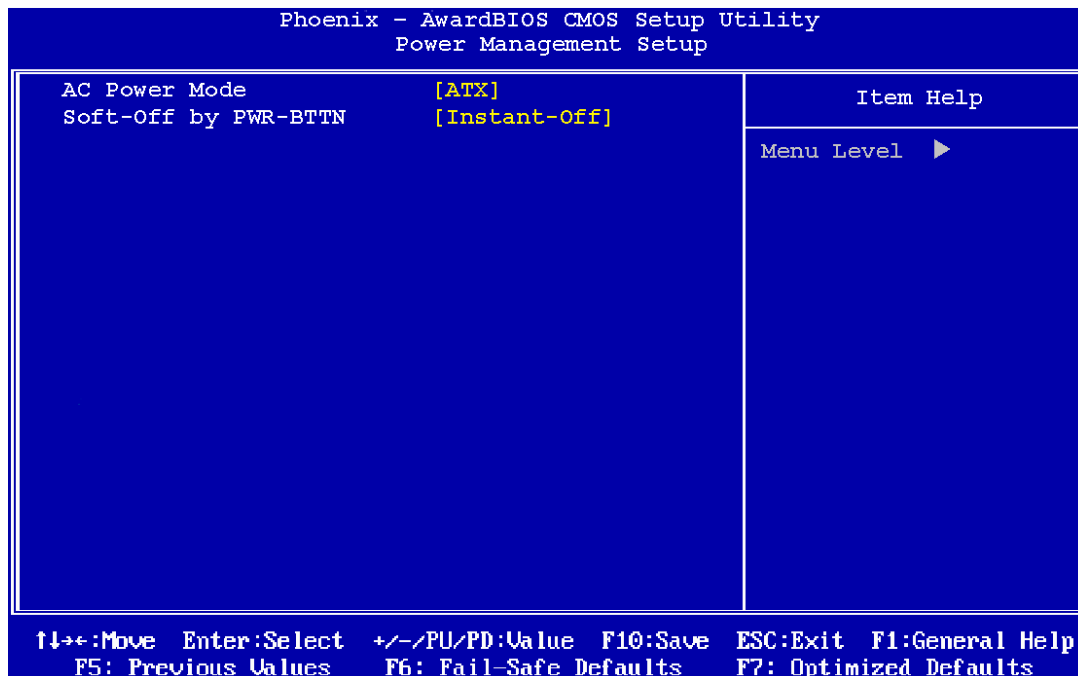
→ Decode Memory Size N [xx]

Use the Decode Memory **Size N** option to specify the memory size of the ISA bus. The following options are available:

- 16 KB
- 32 KB
- 64 KB
- 128 KB
- 256 KB
- 512 KB
- 1 MB
- 2 MB

6.6 Power Management Setup

Use the **Power Management Setup** menu (BIOS Menu 10) to set the BIOS power management and saving features.



BIOS Menu 10: Power Management Setup

→ AC Power Mode [ATX]

Use the **AC Power Mode** to select either an AT or ATX power mode connected to the system.

ATX (Default) ATX power supply connected

AT AT power supply connected

→ Soft-Off by PWR-BTTN [Instant-Off]

Use the **Soft-Off by PWR-BTTN** option to enabled the system to enter a very low-power-usage state when the power button is pressed.

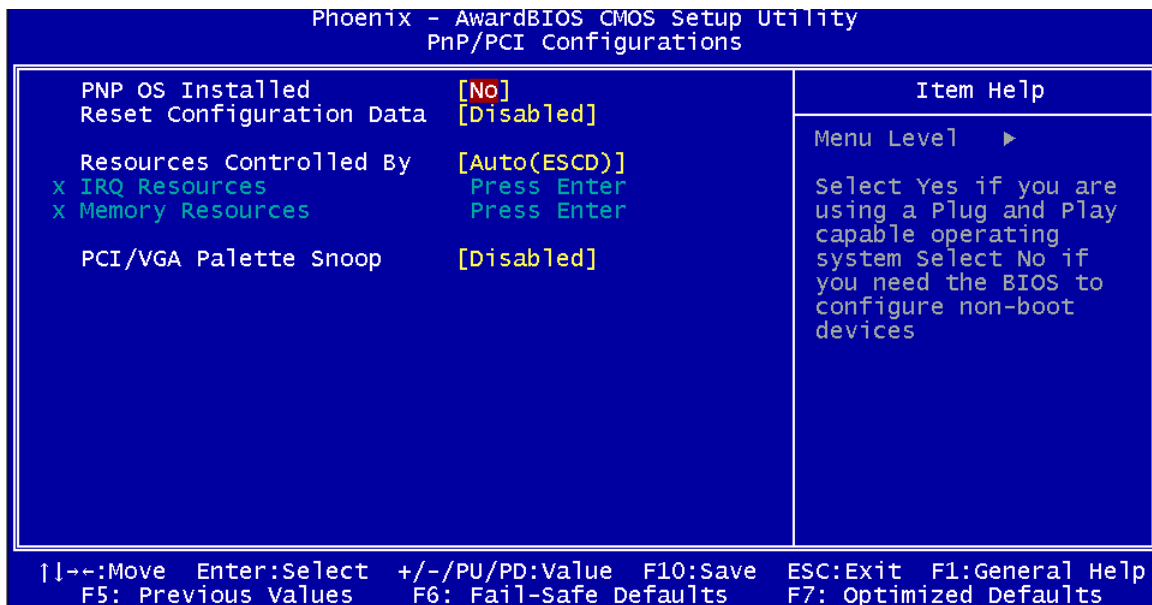
→ Instant-Off (Default) When the power button is pressed, the system is immediately shutdown.

→ Delay 4-sec To shutdown the system the power button must be held down longer than four seconds otherwise the system enters a low power usage state.

6.7 PnP/PCI Configurations

Use the PnP/PCI Configurations menu (BIOS Menu 11) to set the plug and play, and PCI options.

WAFER-LX2 3.5" Embedded SBC



BIOS Menu 11: PnP/PCI Configurations

→ PNP OS Installed [No]

The **PNP OS Installed** option determines whether the Plug and Play devices connected to the system are configured by the operating system or the BIOS.

- **No** (Default) If the operating system does not meet the Plug and Play specifications, BIOS configures all the devices in the system.
- **Yes** Set this option if the system is running Plug and Play aware operating systems. The operating system changes the interrupt, I/O, and DMA settings.

→ Reset Configuration Data [Disabled]

Use the **Reset Configuration Data** option to reset the Extended System Configuration Data (ESCD) when exiting setup if booting problems occur after a new add-on is installed.

- **Disabled** (Default) ESCD will not be reconfigured
- **Enabled** ESCD will be reconfigured after you exit setup

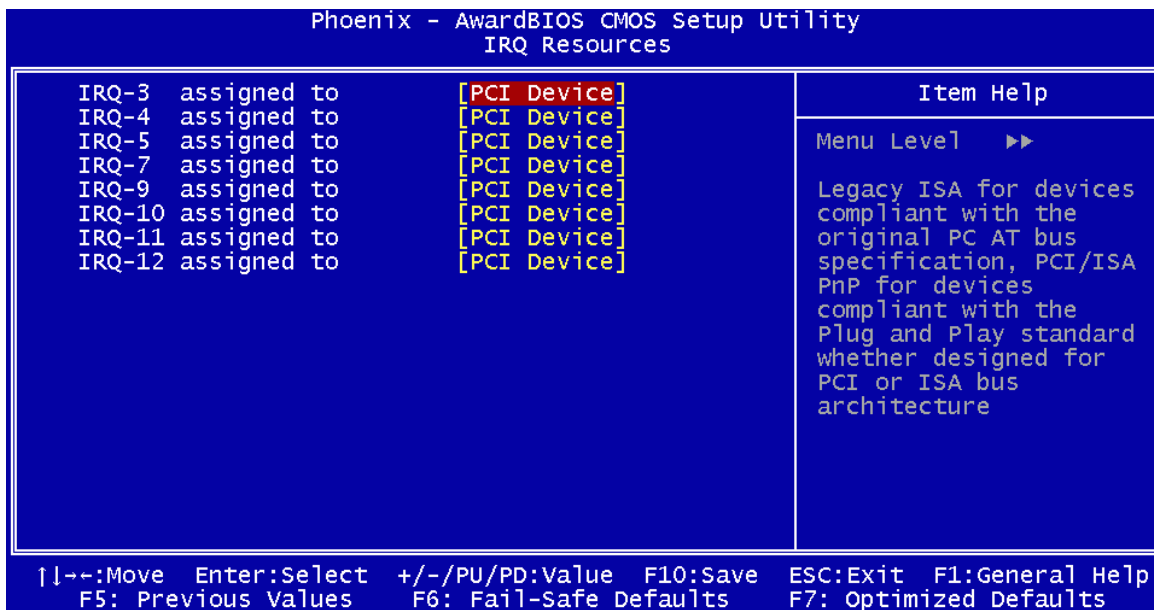
➔ **Resources Controlled By [Auto (ESCD)]**

Use the **Resources Controlled By** option to either manually configure all the boot and plug and play devices, or allow BIOS to configure these devices automatically. If BIOS is allowed to configure the devices automatically IRQs, DMA and memory base address fields cannot be set manually.

- ➔ **Auto(ESCD)** (Default) BIOS automatically configures plug and play devices as well as boot devices.
- ➔ **Manual** Manually configure the plug and play devices and any other boot devices.

➔ **x IRQ Resources [Press Enter]**

The IRQ Resources option (BIOS Menu 12) can only be selected if the Resources Controlled By option is set to Manual.



BIOS Menu 12: IRQ Resources

The **IRQ Resources** menu has the following options:

- IRQ-3 assigned to

WAFER-LX2 3.5" Embedded SBC

- IRQ-4 assigned to
- IRQ-5 assigned to
- IRQ-7 assigned to
- IRQ-9 assigned to
- IRQ-10 assigned to
- IRQ-11 assigned to
- IRQ-12 assigned to

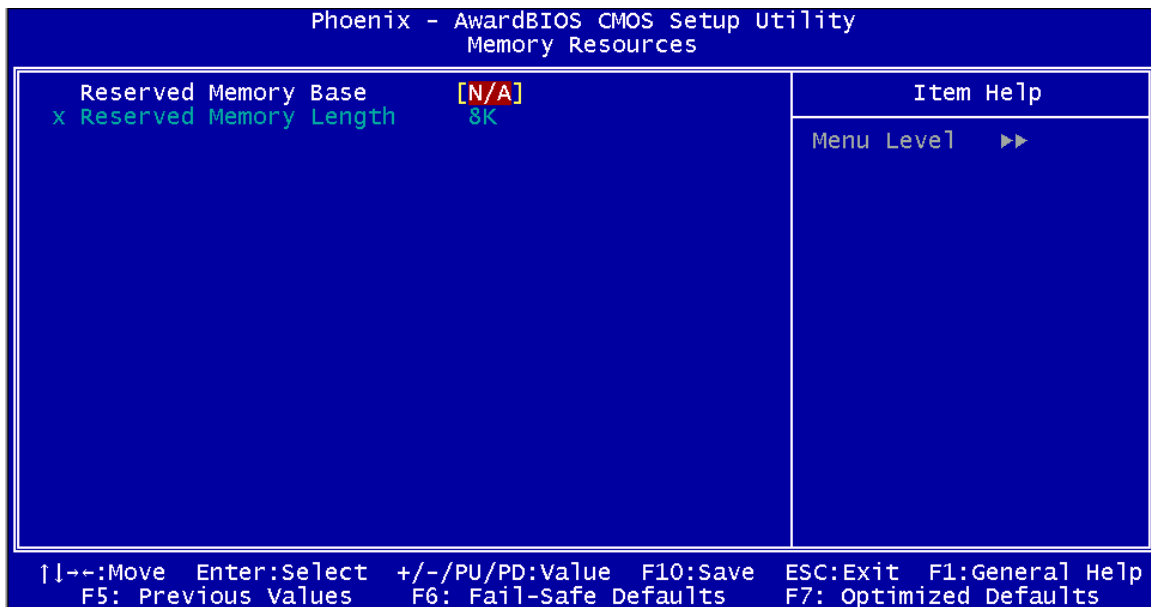
The above options all have the following default options.

→ **PCI Device** (Default) The IRQ is assigned to legacy ISA for devices compliant with the original PC AT bus specification, PCI/ISA PNP for devices compliant with the Plug and Play standard whether designed for PCI or ISA bus architecture.

→ **Reserved** The IRQ is reserved by BIOS.

→ **x Memory Resources [Press Enter]**

The Memory Resources menu (BIOS Menu 13) can only be accessed if the Resources Controlled By option is set to Manual. Use Memory Resources to select a base address and the length for the memory area used by a peripheral that requires high memory.



BIOS Menu 13: Memory Resources

The menu has two configurable options:

- Reserved Memory Base
- Reserved Memory Length

→ Reserved Memory Base [N/A]

The **Reserved Memory Base** option specifies the base address for the peripheral device.

The **Reserved Memory Base** options are:

- N/A (Default)
- C800
- CC00
- D000
- D400
- D800
- DC00

WAFER-LX2 3.5" Embedded SBC

→ x Reserved Memory Length [8K]

The **Reserved Memory Length** option can only be accessed if the **Reserved Memory Base** option is not set to **N/A**. The **Reserved Memory Length** specifies the amount of memory reserved for the peripheral device. The **Reserved Memory Length** options:

- 8K (Default)
- 16K
- 32K
- 64K

→ PCI/VGA Palette Snoop [Disabled]

Use the **PCI/VGA Palette Snoop** option to enable the system to determine whether or not some special VGA cards, high-end hardware MPEG decoders and other similar devices are allowed to look at the VGA palette on the video card so these devices can determine what colors are in use. This option is needed *very rarely* and should be left "Disabled" unless a video device specifically requires the setting to be enabled upon installation.

- **Disabled** (Default) Does not allow the graphics devices to examine the VGA palette on the graphics card.
- **Enabled** Allows the graphics devices to examine the VGA palette on the graphics card.



Chapter

7

Software Drivers

7.1 Available Software Drivers



NOTE:

The content of the CD may vary throughout the life cycle of the product and is subject to change without prior notice. You may visit the IEI website or contact technical support for the latest updates.

There are five software drivers for the WAFER-LX2 motherboard installed in the subsystem:

- VGA Driver
- Audio Driver
- LAN Driver
- ISA Driver

All five drivers can be found on the CD that came with the CPU card. To install the drivers please follow the instructions in the sections below.

Insert the CD into the system that contains the WAFER-LX2 CPU card.



NOTE:

If your system does not run the "autorun" program when the CD is inserted, click the **Start** button, select **Run**, then type **X:\autorun.exe** (replace **X** with the actual drive letter for your CD-ROM) to access the **IEI Driver CD** main menu.

Step 1: From the AMD LX/GX Driver CD main menu (**Figure 7-1**), click **WAFER-LX2**.

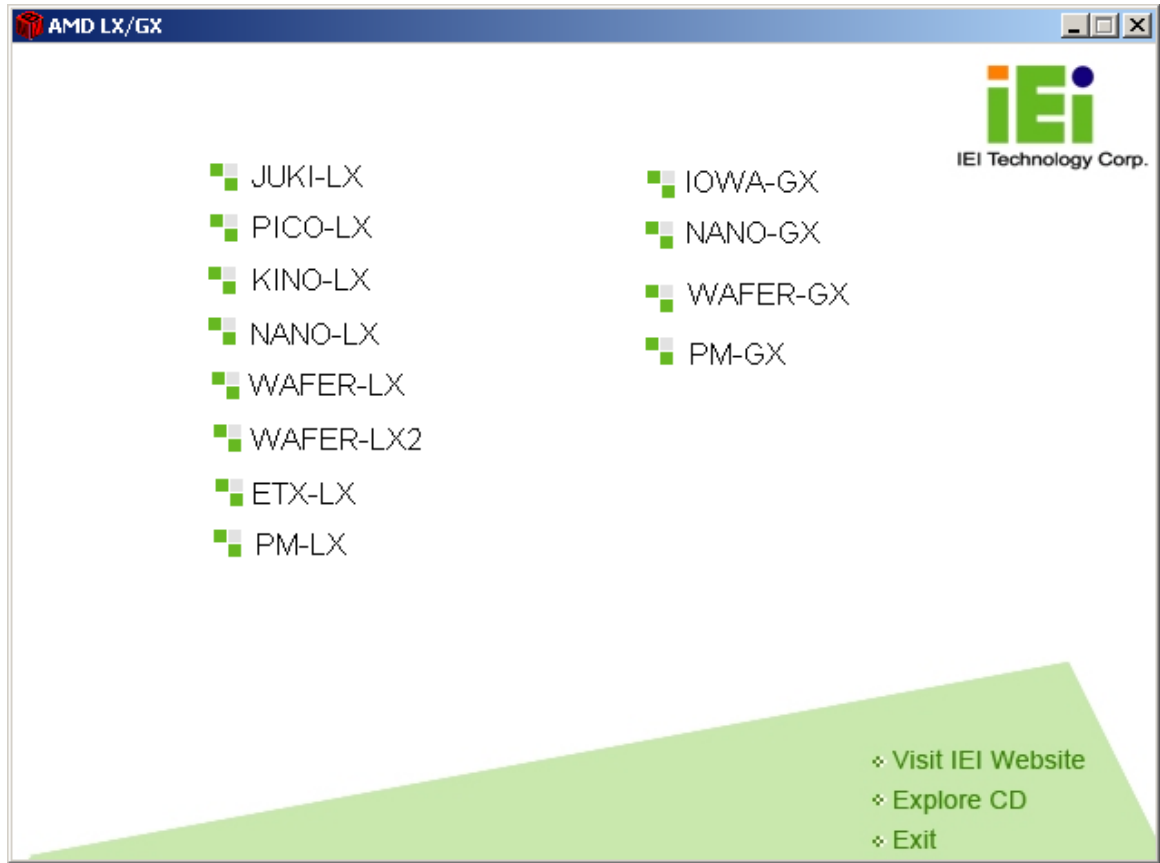


Figure 7-1: AMD LX/GX CD Main Menu

Step 2: A window appears listing the drivers available for installation (**Figure 7-2**).



Figure 7-2: AMD LX/GX CD Driver Menu

Step 3: Select any item from the list to view more information on the driver installation, or select Manual to navigate to the WAFER-LX2 user manual.

The following sections fully describe the driver installation procedures for the WAFER-LX2 CPU card.

7.2 VGA Driver

To install the VGA driver please follow the steps below.

Step 1: Open **Windows Control Panel** (Figure 7-3).

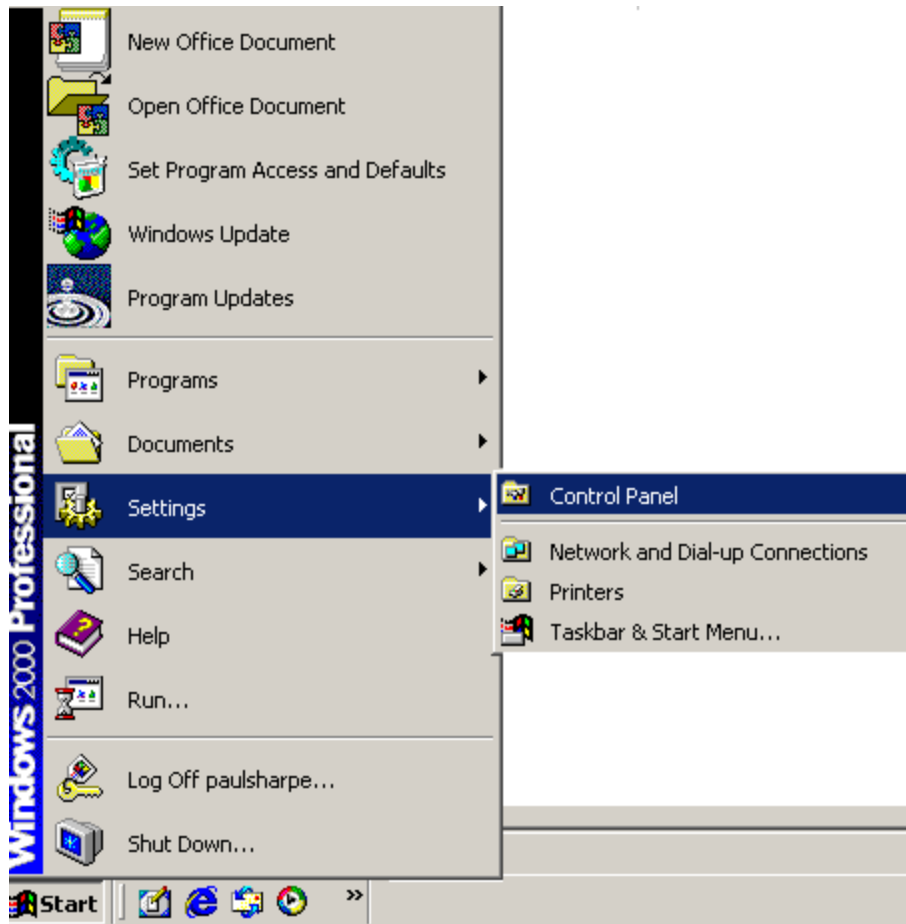


Figure 7-3: Access Windows Control Panel

Step 2: Double click the **System** icon (Figure 7-4).

WAFER-LX2 3.5" Embedded SBC

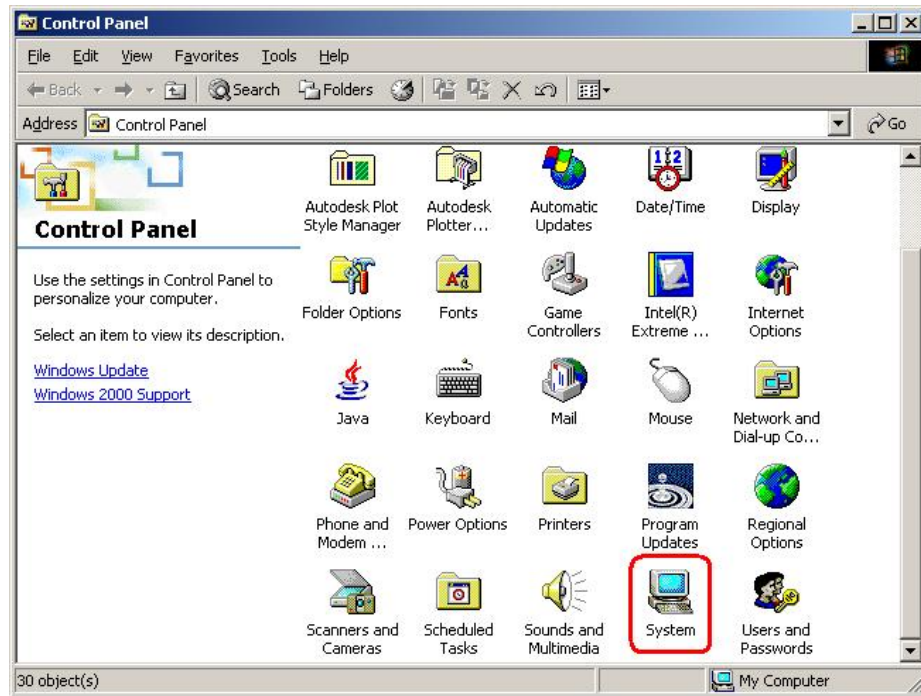


Figure 7-4: Double Click the System Icon

Step 3: Double click the **Device Manager** tab (Figure 7-5).

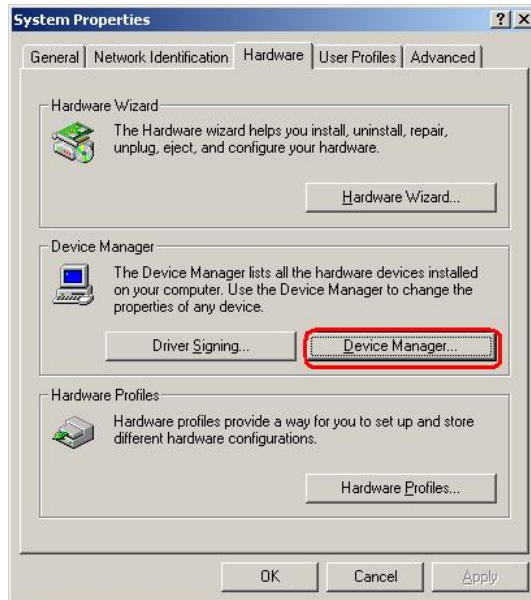


Figure 7-5: Double Click the Device Manager Tab

Step 4: A list of system hardware devices appears (Figure 7-6).

WAFER-LX2 3.5" Embedded SBC

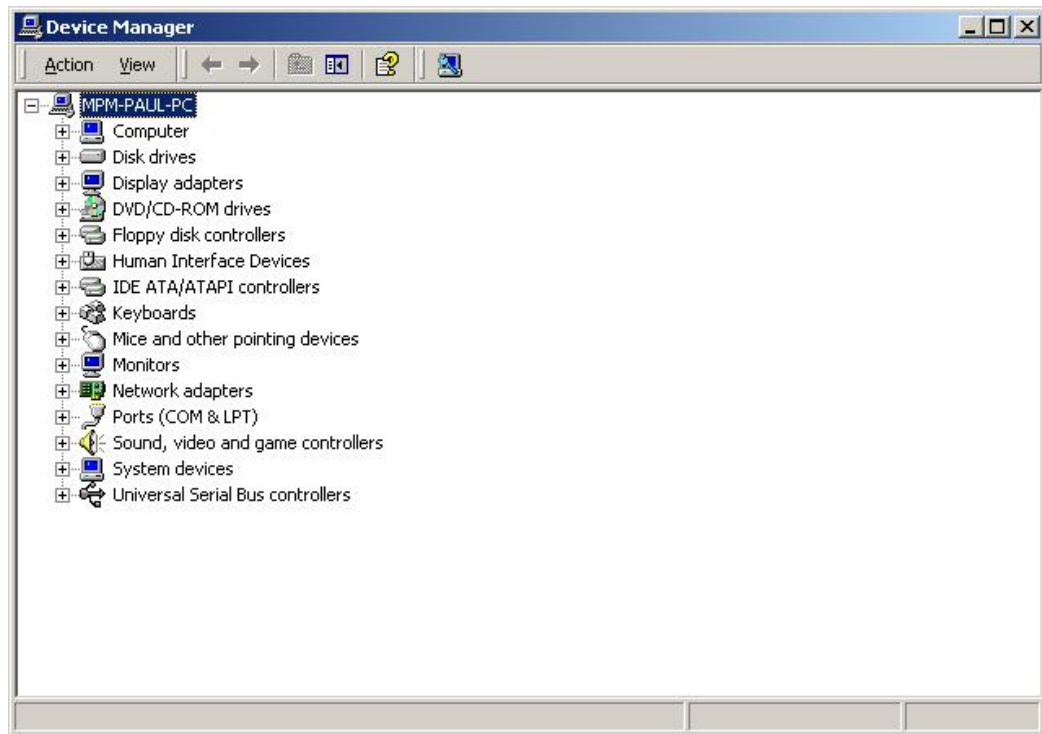


Figure 7-6: Device Manager List

Step 5: Expand the **Display Adapters** category (Figure 7-7). Right click the adapter and select **Properties**.



NOTE:

If the **Display Adapters** category is not available, navigate to **X:\VGAILX800\XPVGA 2.01.05** (where **X:** is the system CD drive) and read the **ReleaseNotes.txt** file for further information on installing the VGA driver.

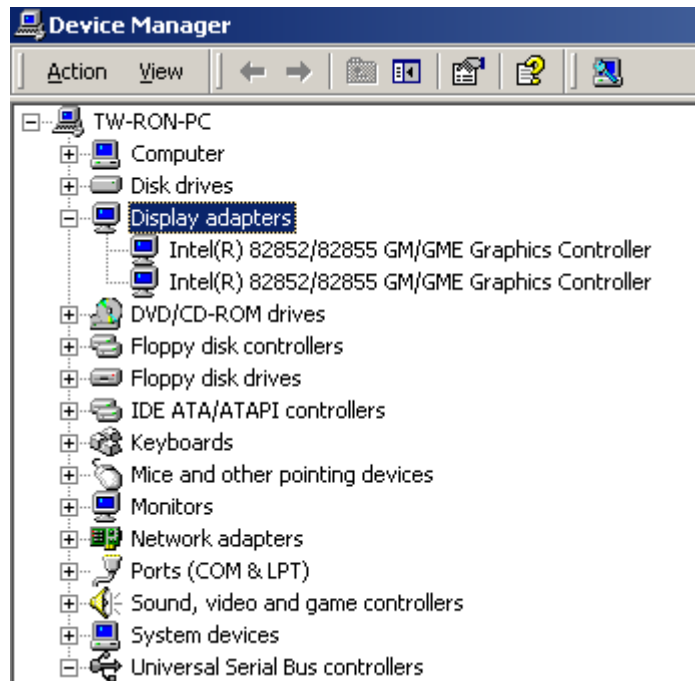


Figure 7-7: Expand the Display Adapters Category

Step 6: From the **Driver** tab of the **Properties** window, click **Update Driver** (Figure 7-8) or, click **Reinstall Driver** if **Update Driver** is not seen.

WAFER-LX2 3.5" Embedded SBC

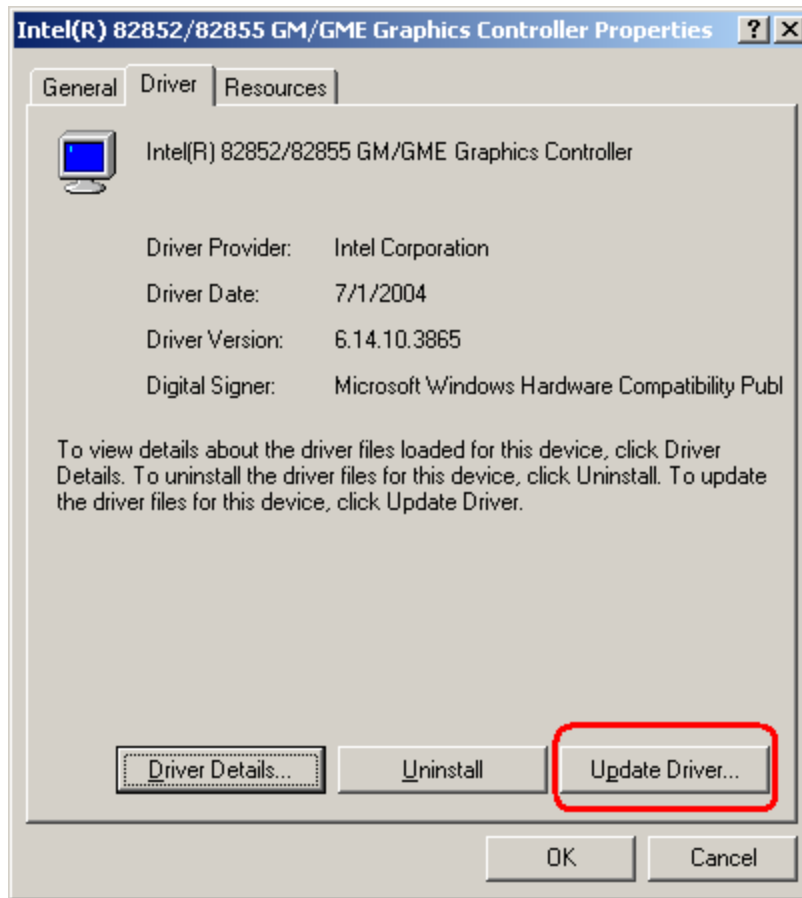


Figure 7-8: Update Driver

Step 7: The **Upgrade Device Driver Wizard** appears (Figure 7-9). Click **NEXT** to continue.



Figure 7-9: Upgrade Device Driver Wizard

Step 8: The **Install Hardware Device Driver** screen appears (Figure 7-10). Select the **Search for a suitable driver for my device** radio button and click **NEXT** to continue.

WAFER-LX2 3.5" Embedded SBC



Figure 7-10: Search for Suitable Driver

Step 9: Select **Specify a Location** in the **Locate Driver Files** window (Figure 7-11).

Click **NEXT** to continue.

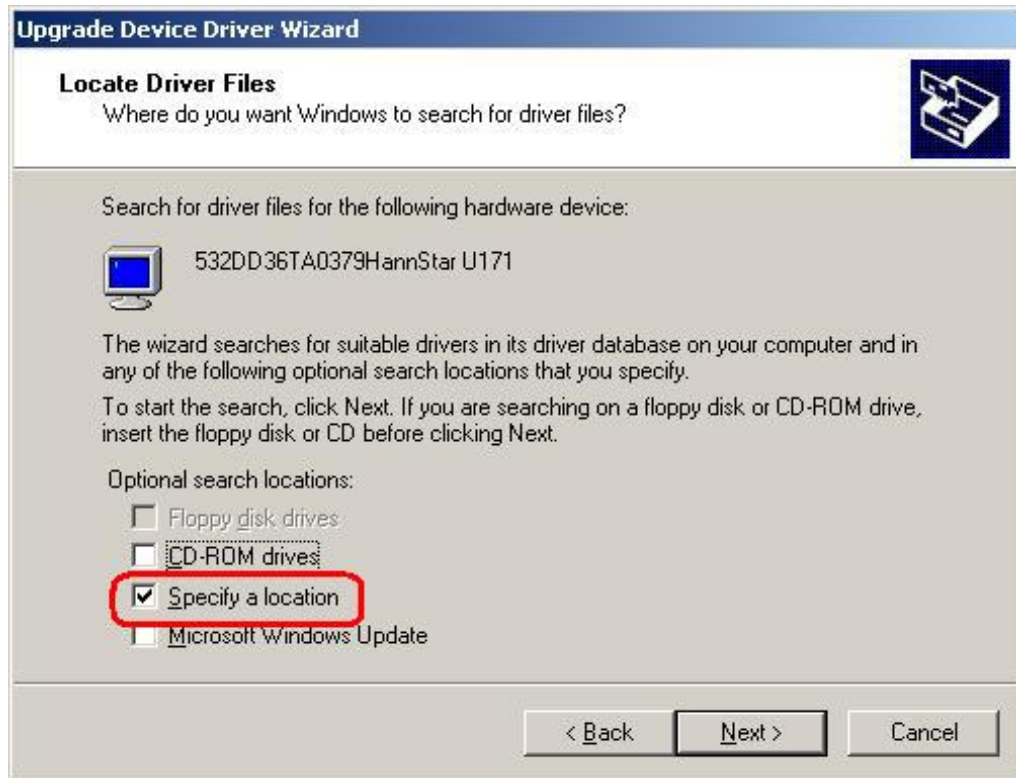


Figure 7-11: Locate Driver Files

Step 10: Click **Browse** and navigate to the **X:\AMD\LX800\XP\VGA 2.01.05** directory, where “X:” is the system CD drive (Figure 7-12).

WAFER-LX2 3.5" Embedded SBC

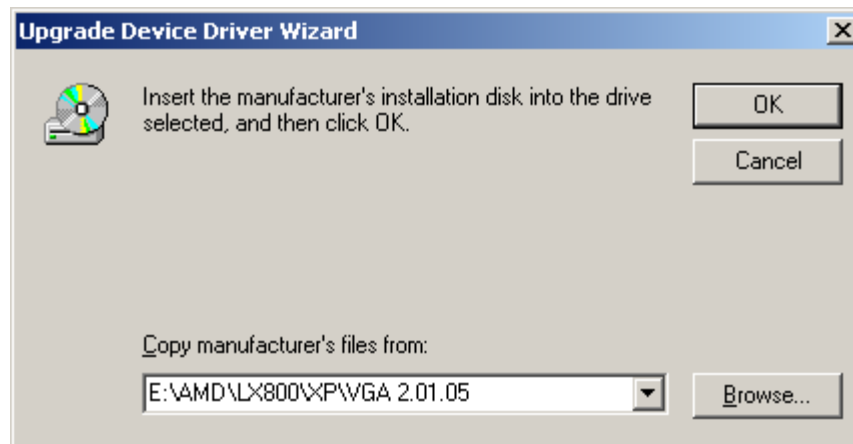


Figure 7-12: Location Browsing Window

Step 11: Click **OK** to continue.

Step 12: A driver files location menu window appears. Click **NEXT** to continue. The driver is installed.

7.3 Audio Driver Installation

To install the audio driver please follow the steps below.

Step 1: Open **Windows Control Panel** (Figure 7-13).

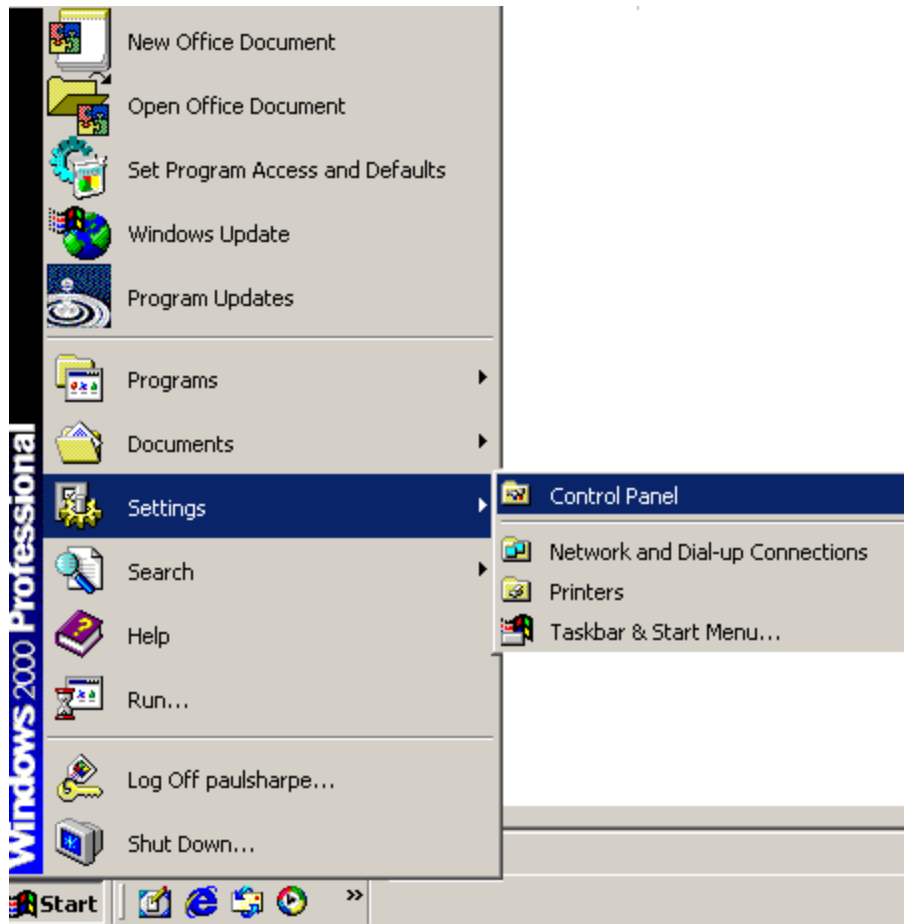


Figure 7-13: Access Windows Control Panel

Step 2: Double click the **System** icon (Figure 7-14).

WAFER-LX2 3.5" Embedded SBC

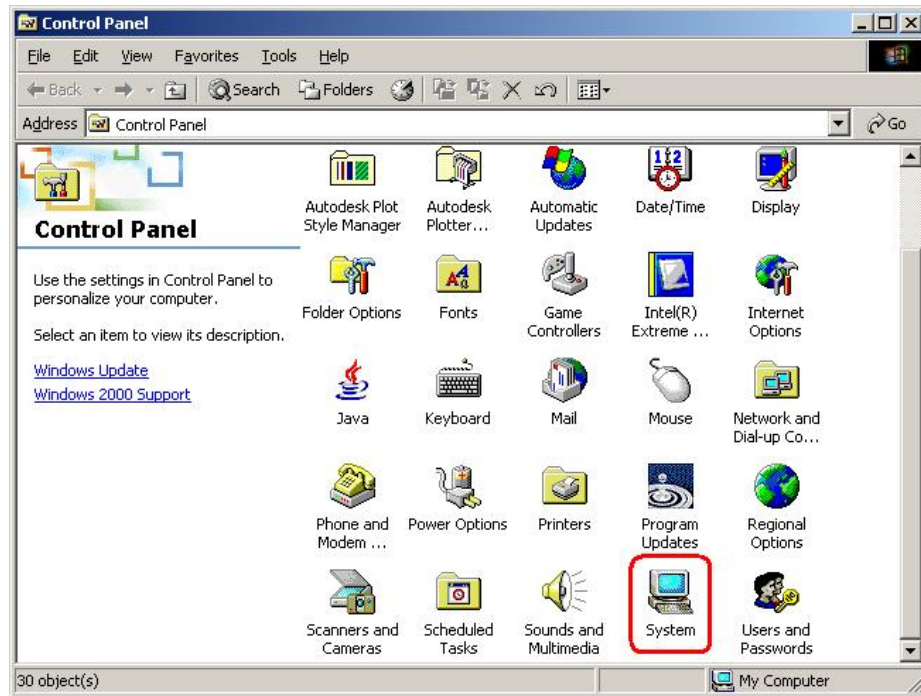


Figure 7-14: Double Click the System Icon

Step 3: Double click the **Device Manager** tab (Figure 7-15).



Figure 7-15: Double Click the Device Manager Tab

Step 4: A list of system hardware devices appears (Figure 7-16).

WAFER-LX2 3.5" Embedded SBC

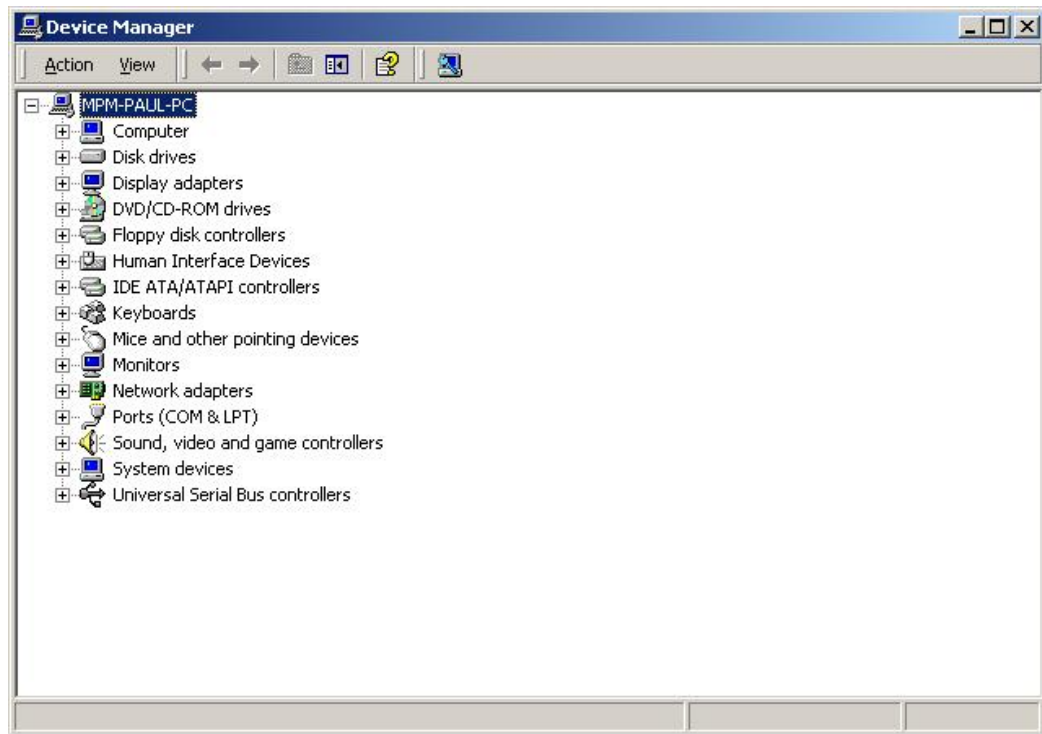


Figure 7-16: Device Manager List

Step 5: Double click the listed device that has question marks next to it. (This means Windows does not recognize the device).

Step 6: The **Device Driver Wizard** appears (Figure 7-17). Click **NEXT** to continue.



Figure 7-17: Search for Suitable Driver

Step 7: Select “Specify a Location” in the **Locate Driver Files** window (Figure 7-18).

Click **NEXT** to continue.

WAFER-LX2 3.5" Embedded SBC



Figure 7-18: Locate Driver Files

Step 8: Select "X:\Audio\GeodeLX_XP_XPe_WDM_Audio_v2.03.00" directory in the location browsing window, where "X:\" is the system CD drive (Figure 7-19).

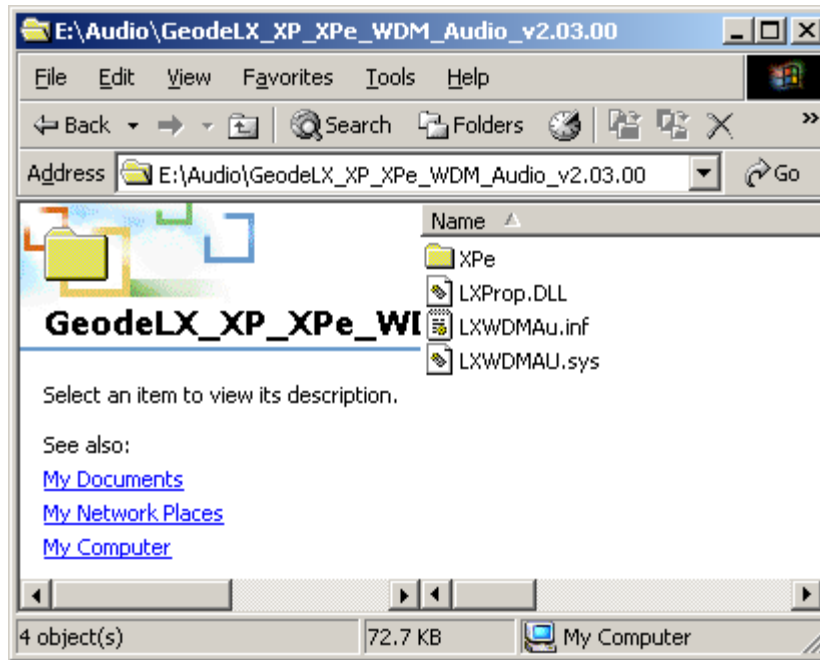


Figure 7-19: Location Browsing Window

Step 9: Click **OK** to continue. A driver files location menu window appears. Select the **LXWDMAu.inf** file and click **OPEN** to continue. The driver is installed.

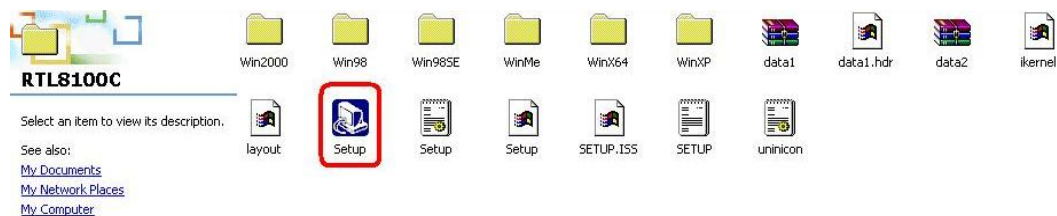
7.4 LAN Driver

To install the LAN driver, please follow the steps below.

Step 1: Click **LAN** from the **AMD LX/GX CD Driver Menu** to open a window to the **X:\LAN\Realtek** (where **X:** is the system CD drive) folder on the driver CD.

Step 2: Open the **RTL8100C** folder.

Step 3: Locate the **Setup** program icon (**Figure 7-20**).



WAFER-LX2 3.5" Embedded SBC

Figure 7-20: Locate the Setup Program Icon

Step 4: Double click the **Setup** program icon in **Figure 7-20**.

Step 5: The **Install Shield Wizard** is prepared to guide the user through the rest of the process (**Figure 7-21**).

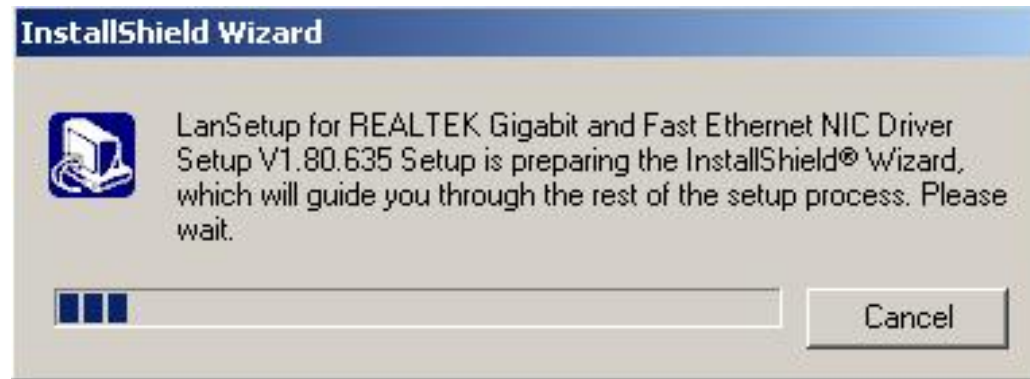


Figure 7-21: Preparing Setup Screen

Step 6: Once initialized, the **Install Wizard** welcome screen appears (**Figure 7-22**).

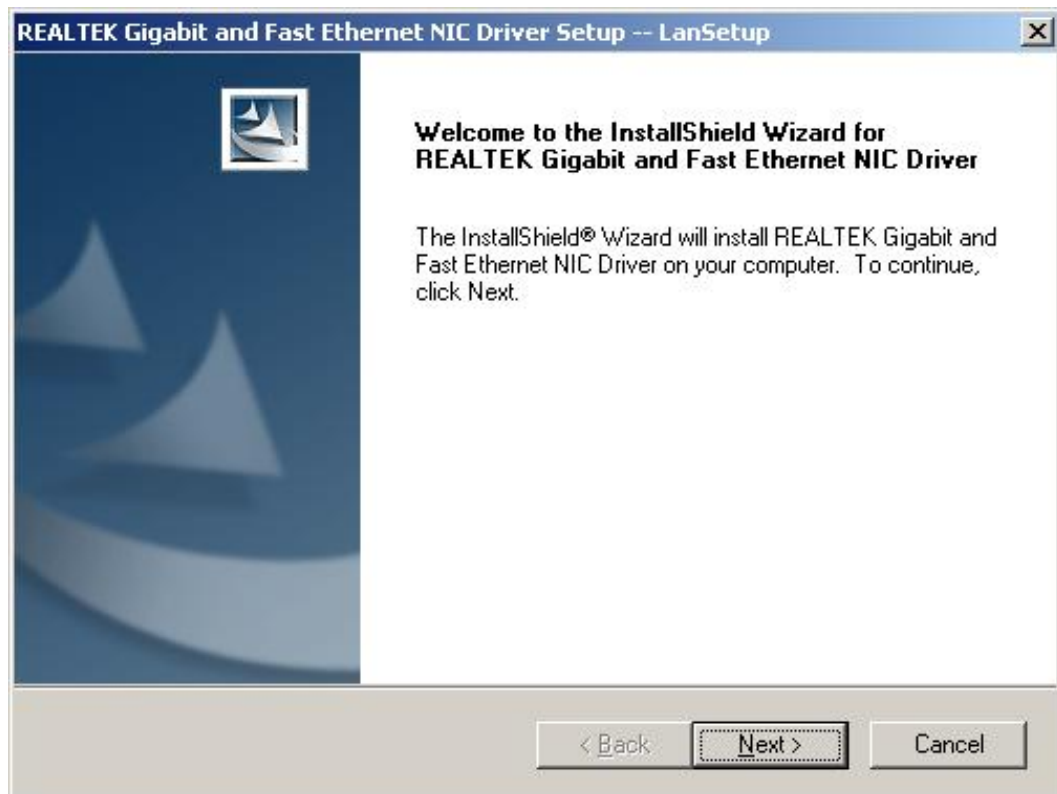


Figure 7-22: Install Wizard Welcome Screen

Step 7: Click **NEXT** to continue the installation or **CANCEL** to stop the installation.

Step 8: The **Install Wizard** starts to install the LAN driver.

Step 9: Once the installation is complete, the **InstallShield Wizard Complete** screen appears (**Figure 7-23**).

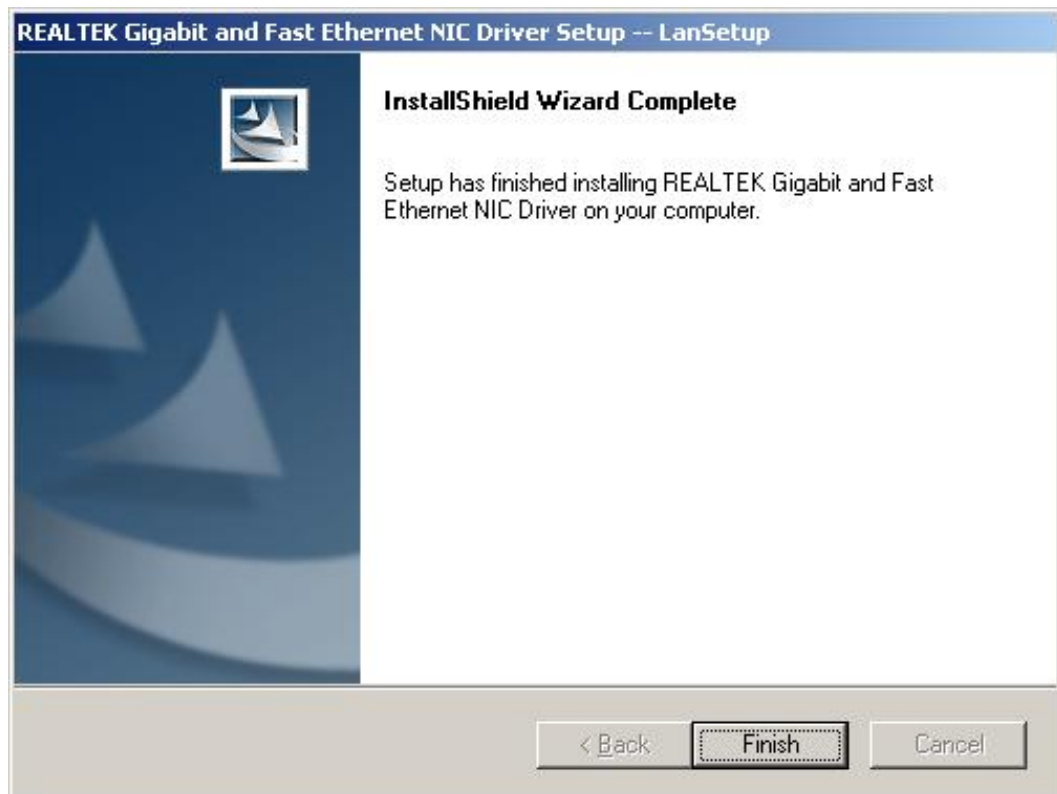


Figure 7-23: Installing Screen

Step 10: Click **FINISH** to complete the installation and exit the **Install Shield Wizard**.

Step 11: Once the installation process is complete, the computer may be restarted immediately or later. Select the preferred option and click **FINISH** to complete the installation process and exit the **Install Shield Wizard** (Figure 7-24).



Figure 7-24: Restart the Computer

7.5 ISA Driver

To install the IT8888 ISA Bridge driver please follow the steps below:

Step 12: Open **Windows Control Panel** (Figure 7-25).

WAFER-LX2 3.5" Embedded SBC

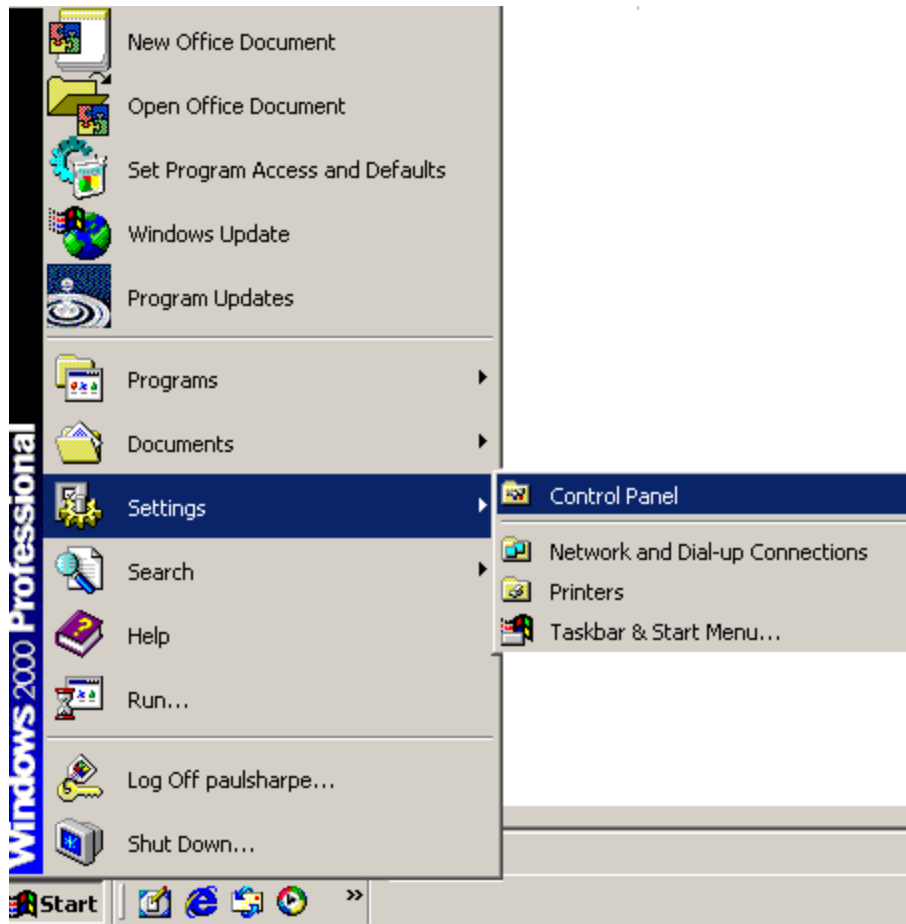


Figure 7-25: Access Windows Control Panel

Step 13: Double click the **System** icon (Figure 7-26).

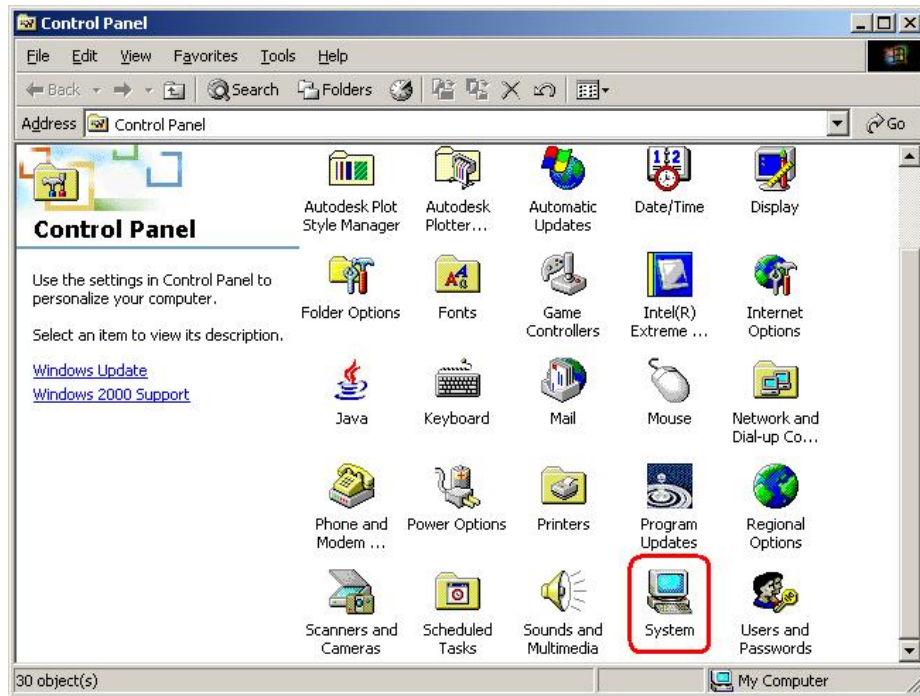


Figure 7-26: Double Click the System Icon

Step 14: Double click the **Device Manager** tab (Figure 7-27).

WAFER-LX2 3.5" Embedded SBC

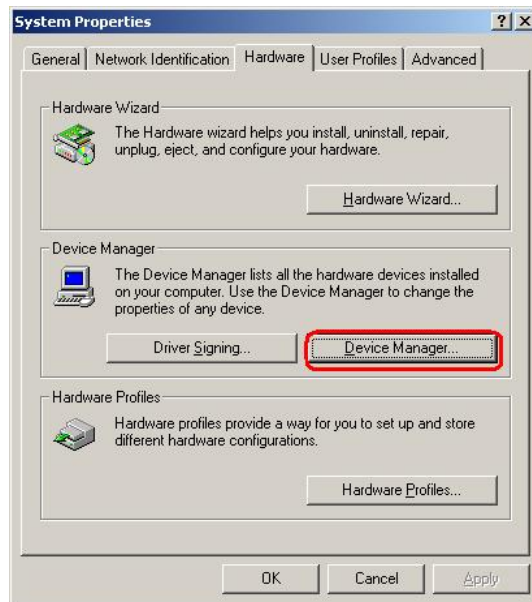


Figure 7-27: Double Click the Device Manager Tab

Step 15: A list of system hardware devices appears (Figure 7-28).

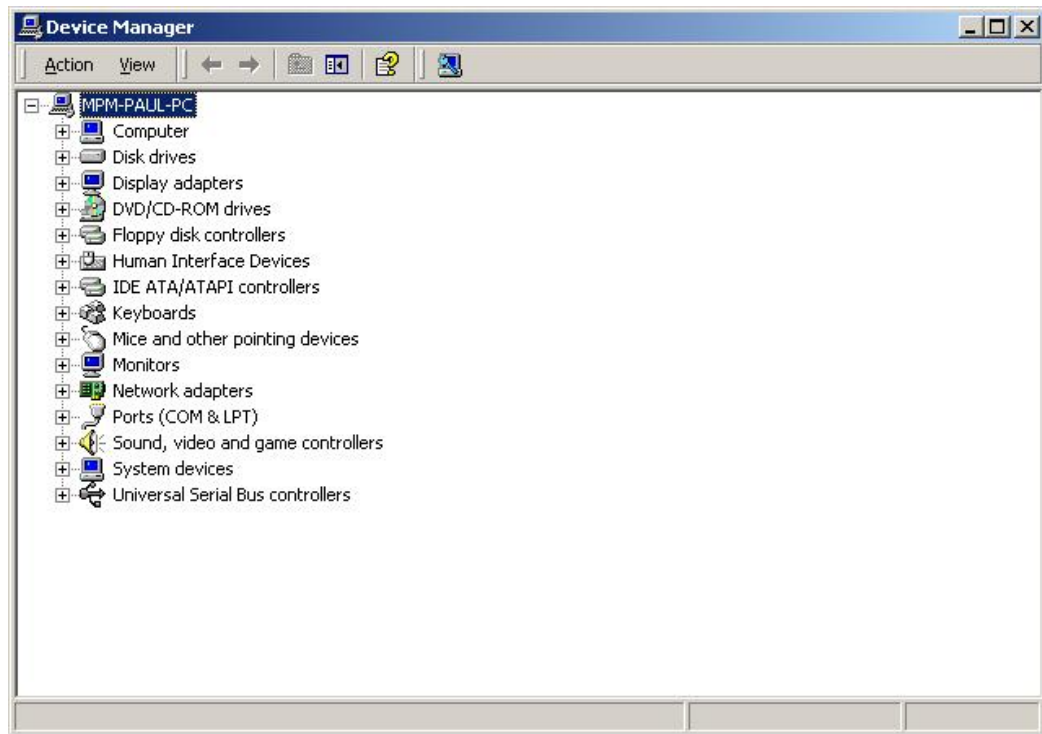


Figure 7-28: Device Manager List

Step 16: Double click the listed device that has question marks next to it. (This means Windows does not recognize the device).

Step 17: The **Device Driver Wizard** appears (**Figure 7-29**). Click **NEXT** to continue.

WAFER-LX2 3.5" Embedded SBC



Figure 7-29: Search for Suitable Driver

Step 18: Select “Specify a Location” in the **Locate Driver Files** window (Figure 7-30).

Click **NEXT** to continue.

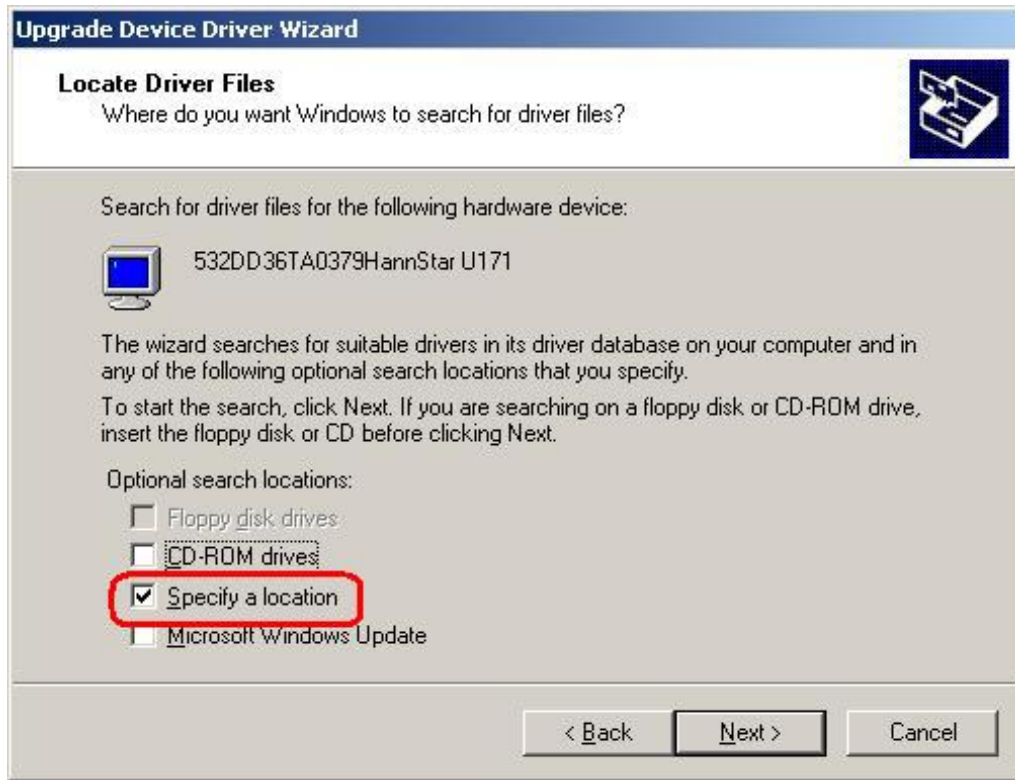


Figure 7-30: Locate Driver Files

Step 19: Select "X:\IT8888" directory in the location browsing window, where "X:\\" is the system CD drive (Figure 7-31).

WAFER-LX2 3.5" Embedded SBC

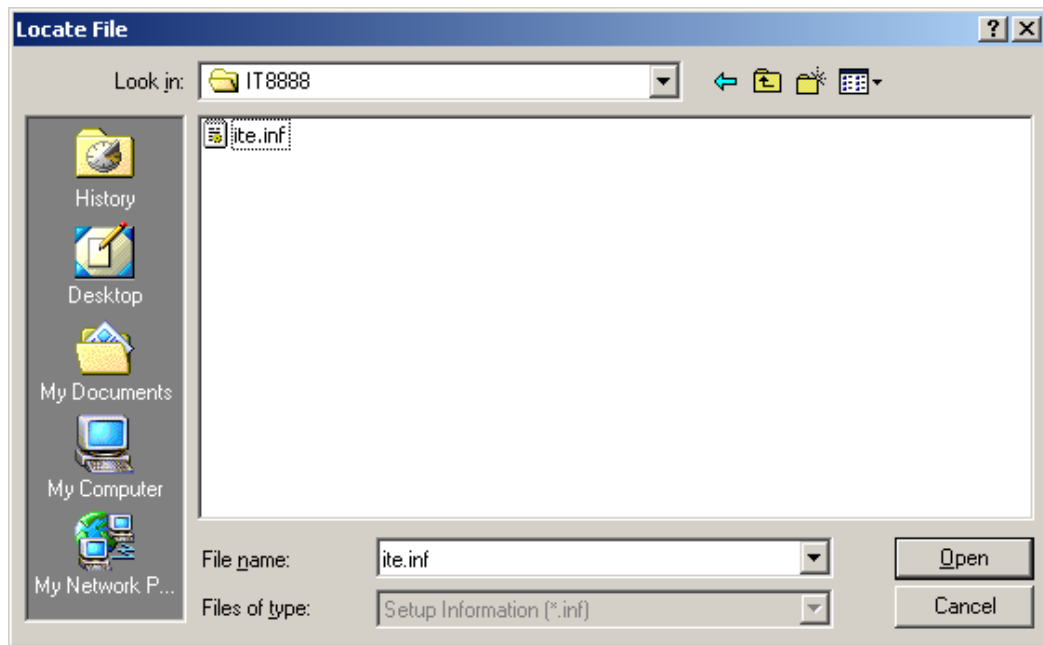


Figure 7-31: Location Browsing Window

Step 20: Click **OK** to continue. A driver files location menu window appears. Select the **ite.inf** file and click **OPEN** to continue. The driver is installed.

Appendix

A

BIOS Options

WAFER-LX2 3.5" Embedded SBC

→ Load Fail-Safe Defaults	79
→ Load Optimized Defaults.....	79
→ Set Supervisor Password	79
→ Set User Password	79
→ Save & Exit Setup	79
→ Exit Without Saving	80
→ Date [Day mm:dd:yyyy].....	80
→ Time [hh/mm/ss]	80
→ IDE Master and IDE Slave	81
→ Halt On [All, But Keyboard]	81
→ Base Memory:	82
→ Extended Memory.....	82
→ Total Memory.....	82
→ IDE HDD Auto-Detection [Press Enter].....	83
→ IDE Primary Master [Auto]	83
→ Access Mode [Auto]	84
→ Capacity	84
→ Cylinder.....	84
→ Head	85
→ Precomp.....	85
→ Landing Zone	85
→ Sector.....	85
→ Virus Warning [Disabled]	86
→ CPU Internal Cache [Enabled].....	87
→ Boot From LAN Control [Disabled].....	87
→ Boot Device	87
→ Boot Other Device [Enabled].....	88
→ Boot Up Numlock Status [On]	89
→ Typematic Rate Setting [Disabled].....	89
→ Typematic Rate (Chars/sec) [6]	89
→ Typematic Delay (Msec) [250].....	90

→ Security Option [Setup].....	90
→ OS Select For DRAM > 64MB [Non-OS2].....	91
→ Delay for HDD (secs) [3].....	91
→ HDD S.M.A.R.T Capability [Disabled]	91
→ Small Logo (EPA) Show [Disabled].....	91
→ CPU Frequency [500MHz]	92
→ Memory Frequency [333MHz].....	93
→ Video Memory Size [8M].....	93
→ Output Display [Panel & CRT]	93
→ Flat Panel Configuration [Press Enter].....	93
→ OnBoard Audio [Enabled].....	94
→ Resolution [800 x 600].....	94
→ Data Bus Type [9 – 24 bits, 1 ppc].....	95
→ Refresh Rate [60Hz]	95
→ HSYNC Polarity [High].....	95
→ VSYNC Polarity Active [Low].....	96
→ SHFCLK Active Period [Free Running].....	96
→ LP Active Period [Free Running].....	96
→ On-Chip IDE Channel 1 [Enabled].....	97
→ Drive PIO Mode [Auto].....	97
→ IDE UDMA [Auto].....	98
→ IDE DMA transfer access [Enabled].....	99
→ IT8888 ISA Decode IO	99
→ IT8888 ISA Decode Memory	99
→ IDE HDD Block Mode [Enabled]	99
→ Onboard Serial Port N	99
→ Serial Port N Use IRQ	100
→ Decode IO Space N [Enabled]	101
→ Decode IO Speed N [Fast Speed]	102
→ Decode IO Address N 0:15 [xx]	102
→ Decode IO Size N [Fast Speed].....	102
→ Decode Memory Space N [Enabled]	104

WAFER-LX2 3.5" Embedded SBC

→ Decode Memory Speed N [Fast Speed].....	104
→ Decode Memory Address N [xx].....	104
→ Decode Memory Size N [xx].....	105
→ AC Power Mode [ATX].....	106
→ Soft-Off by PWR-BTTN [Instant-Off]	106
→ PNP OS Installed [No]	107
→ Reset Configuration Data [Disabled].....	107
→ Resources Controlled By [Auto (ESCD)].....	108
→ x IRQ Resources [Press Enter].....	108
→ x Memory Resources [Press Enter]	109
→ Reserved Memory Base [N/A].....	110
→ x Reserved Memory Length [8K].....	111
→ PCI/VGA Palette Snoop [Disabled].....	111



Appendix

B

GPIO Connection

B.1 GPIO Settings and Default Values

B.1.1 GPIO Settings

Two addresses (320h and 321h) on the LVC chipset are reserved to control the GPIO connector.

- Port 320h stores the data that is inputted to or outputted from the specified pin on the GPIO connector.
- Port 321h is the input/output setting register for each pin on the GPIO connector. If a pin outputs data, the corresponding bit is set to "0." If a pin inputs data, the corresponding bit is set to "1." The table below outlines the status of each GPIO pin.

Bit Number	Corresponding GPIO pin	GPIO N Status	
		Bit N = 0	Bit N = 1
Bit 0	GPIO 0	Output	Input
Bit 1	GPIO 1	Output	Input
Bit 2	GPIO 2	Output	Input
Bit 3	GPIO 3	Output	Input
Bit 4	GPIO 4	Output	Input
Bit 5	GPIO 5	Output	Input
Bit 6	GPIO 6	Output	Input
Bit 7	GPIO 7	Output	Input

B.1.2 Default Settings

The default settings for all the bits (Bit 0 to Bit 7) for both Port 320h and Port 321h are 00h.

Bit Number	Port 320h	Port 321h
Bit 0	00h	00h
Bit 1	00h	00h
Bit 2	00h	00h
Bit 3	00h	00h

Bit 4	00h	00h
Bit 5	00h	00h
Bit 6	00h	00h
Bit 7	00h	00h

B.2 Assembly Language Samples

B.2.1 GPIO Initialization Procedure

The following instruction set initializes one pin on the GPIO connector.

MOV	DX, 320h	Moves 320h into the DX data register for one of the GPIO pins
MOV	AL, XXh	Moves the user defined output value XXh into the low bit accumulator register AL
OUT	DX, AL	The content of the low bit accumulator register AL is transmitted to the address stored in the DX data register

The following instruction set initializes the input/output setting register for one pin on the GPIO connector to specify whether that pin inputs or outputs data.

MOV	DX, 321h	Moves 320h into the DX data register for one of the GPIO pins
MOV	AL, YYh	Moves the user defined output value YYh into the low bit accumulator register AL. If YY is specified as 0, the pin is an output pin. If YY is specified as 1, the pin is an input pin.
OUT	DX, AL	The content of the low bit accumulator register AL is transmitted to the address stored in the DX data register

B.2.2 General Purpose Output Procedure

The following instruction set is for a GPO procedure for one pin on the GPIO connector.

WAFER-LX2 3.5" Embedded SBC

MOV	DX, 320h	Moves 320h into the DX data register for one of the GPIO pins
MOV	AL, ZZh	Moves the user defined output data ZZh into the low bit accumulator register AL
OUT	DX, AL	The output data in the low bit accumulator register AL is transmitted out from the address stored in the DX data register

B.2.3 General Purpose Input Procedure

The following instruction set is for a GPI procedure for one pin on the GPIO connector.

MOV	DX, 320h	Moves 320h into the DX data register for one of the GPIO pins
IN	AL, DX	The input data in the low bit accumulator register AL is transmitted to the address stored in the DX data register



Appendix

C

Watchdog Timer



NOTE:

The following discussion applies to DOS environment. IEI support is contacted or the IEI website visited for specific drivers for more sophisticated operating systems, e.g., Windows and Linux.

The Watchdog Timer is provided to ensure that standalone systems can always recover from catastrophic conditions that cause the CPU to crash. This condition may have occurred by external EMI or a software bug. When the CPU stops working correctly, Watchdog Timer either performs a hardware reset (cold boot) or a Non-Maskable Interrupt (NMI) to bring the system back to a known state.

A BIOS function call (INT 15H) is used to control the Watchdog Timer:

INT 15H:

AH – 6FH Sub-function:	
AL – 2:	Sets the Watchdog Timer’s period.
BL:	Time-out value (Its unit-second is dependent on the item “Watchdog Timer unit select” in CMOS setup).

Table C-1: AH-6FH Sub-function

Call sub-function 2 to set the time-out period of Watchdog Timer first. If the time-out value is not zero, the Watchdog Timer starts counting down. While the timer value reaches zero, the system resets. To ensure that this reset condition does not occur, calling sub-function 2 must periodically refresh the Watchdog Timer. However, the Watchdog timer is disabled if the time-out value is set to zero.

A tolerance of at least 10% must be maintained to avoid unknown routines within the operating system (DOS), such as disk I/O that can be very time-consuming.



NOTE:

When exiting a program it is necessary to disable the Watchdog Timer, otherwise the system resets.

Example program:

; INITIAL TIMER PERIOD COUNTER

;

W_LOOP:

```

MOV    AX, 6F02H    ;setting the time-out value
MOV    BL, 30      ;time-out value is 48 seconds
INT    15H

```

;

; ADD THE APPLICATION PROGRAM HERE

;

```

CMP    EXIT_AP, 1    ;is the application over?
JNE    W_LOOP      ;No, restart the application

```

```

MOV    AX, 6F02H    ;disable Watchdog Timer
MOV    BL, 0        ;
INT    15H

```

;

; EXIT ;

Appendix

D

Address Mapping

D.1 I/O Address Mappings

Input/output (IO)	
[00000000 - 0000000F]	Direct memory access controller
[00000000 - 00000CF7]	PCI bus
[00000010 - 0000001F]	Motherboard resources
[00000020 - 00000021]	Programmable interrupt controller
[00000022 - 0000002D]	Motherboard resources
[00000030 - 0000003F]	Motherboard resources
[00000040 - 00000043]	System timer
[00000044 - 0000005F]	Motherboard resources
[00000061 - 00000061]	System speaker
[00000062 - 00000063]	Motherboard resources
[00000065 - 0000006F]	Motherboard resources
[00000070 - 00000073]	System CMOS/real time clock
[00000074 - 0000007F]	Motherboard resources
[00000080 - 00000090]	Direct memory access controller
[00000091 - 00000093]	Motherboard resources
[00000094 - 0000009F]	Direct memory access controller
[000000A0 - 000000A1]	Programmable interrupt controller
[000000A2 - 000000BF]	Motherboard resources
[000000C0 - 000000DF]	Direct memory access controller
[000000E0 - 000000EF]	Motherboard resources
[000000F0 - 000000FF]	Numeric data processor
[00000170 - 00000177]	Secondary IDE Channel
[000001F0 - 000001F7]	Primary IDE Channel
[00000228 - 0000022F]	Communications Port (COM8)
[00000238 - 0000023F]	Communications Port (COM6)
[00000274 - 00000277]	ISAPNP Read Data Port
[00000279 - 00000279]	ISAPNP Read Data Port
[00000279 - 00000279]	ISAPNP Read Data Port
[000002E8 - 000002EF]	Communications Port (COM4)
[000002F8 - 000002FF]	Communications Port (COM2)
[00000328 - 0000032F]	Communications Port (COM7)
[00000338 - 0000033F]	Communications Port (COM5)
[00000376 - 00000376]	Secondary IDE Channel
[000003B0 - 000003BA]	Advanced Micro Devices Win XP Graphics Driver
[000003C0 - 000003DF]	Advanced Micro Devices Win XP Graphics Driver
[000003E8 - 000003EF]	Communications Port (COM3)
[000003F6 - 000003F6]	Primary IDE Channel
[000003F8 - 000003FF]	Communications Port (COM1)
[000004D0 - 000004D1]	Motherboard resources
[00000A79 - 00000A79]	ISAPNP Read Data Port
[00000D00 - 0000AC17]	PCI bus
[0000AC20 - 0000FFFF]	PCI bus
[0000FC00 - 0000FCFF]	Realtek RTL8139/810x Family Fast Ethernet NIC
[0000FE00 - 0000FE7F]	GeodelX Audio Driver (WDM)
[0000FF00 - 0000FF0F]	Standard Dual Channel PCI IDE Controller

Table D-1: I/O Address Mappings

WAFER-LX2 3.5" Embedded SBC

D.2 Memory Address Mapping

Address Range	Device
[00000000 - 0009FFFF]	System board
[000A0000 - 000BFFFF]	Advanced Micro Devices Win XP Graphics Driver
[000A0000 - 000BFFFF]	PCI bus
[000C8000 - 000DFFFF]	PCI bus
[000F0000 - 000F3FFF]	System board
[000F4000 - 000F7FFF]	System board
[000F8000 - 000FBFFF]	System board
[000FC000 - 000FFFFF]	System board
[00100000 - 1DFAFFFF]	System board
[1DFB0000 - 1DFBFFFF]	System board
[1DFC0000 - FEBFFFFF]	PCI bus
[E8000000 - EBFFFFFF]	Advanced Micro Devices Win XP Graphics Driver
[EFFE8000 - EFFEBFFF]	Advanced Micro Devices Win XP Graphics Driver
[EFFEC000 - EFFEFFFF]	Advanced Micro Devices Win XP Graphics Driver
[EFFF0000 - EFFF3FFF]	Advanced Micro Devices Win XP Graphics Driver
[EFFF4000 - EFFF7FFF]	Geode GX3 AES Crypto Driver
[EFFF8000 - EFFFBFFF]	Advanced Micro Devices Win XP Graphics Driver
[EFFF0000 - EFFF3FFF]	Standard Enhanced PCI to USB Host Controller
[EFFF4000 - EFFF7FFF]	Standard OpenHCD USB Host Controller
[EFFFF000 - EFFFF0FF]	Realtek RTL8139/810x Family Fast Ethernet NIC
[FEE00000 - FEE0FFFF]	System board
[FFFF0000 - FFFFFFFF]	System board

Table D-2: Memory Address Mapping

D.3 IRQ Mapping Table

Interrupt request (IRQ)	
(ISA) 0	System timer
(ISA) 3	Communications Port (COM2)
(ISA) 3	Communications Port (COM6)
(ISA) 4	Communications Port (COM1)
(ISA) 4	Communications Port (COM5)
(ISA) 5	Communications Port (COM3)
(ISA) 5	Communications Port (COM4)
(ISA) 5	Communications Port (COM7)
(ISA) 5	Communications Port (COM8)
(ISA) 8	System CMOS/real time clock
(ISA) 9	Microsoft ACPI-Compliant System
(ISA) 13	Numeric data processor
(ISA) 14	Primary IDE Channel
(PCI) 10	Advanced Micro Devices Win XP Graphics Driver
(PCI) 10	Geode GX3 AES Crypto Driver
(PCI) 10	GeodeLX Audio Driver (WDM)
(PCI) 11	Realtek RTL8139/810x Family Fast Ethernet NIC
(PCI) 11	Standard Enhanced PCI to USB Host Controller
(PCI) 11	Standard OpenHCD USB Host Controller

Table D-3: IRQ Address Mapping

Appendix

E

External AC'97 Audio CODEC

E.1 Introduction

The motherboard comes with an on-board Realtek ALC203 CODEC. Realtek ALC203 is a 16-bit, full duplex AC'97 Rev. 2.3 compatible audio CODEC with a sampling rate of 48KHz.

E.1.1 Accessing the AC'97 CODEC

The CODEC is accessed through a connector on the WAFER-LX2 motherboard. Connect the audio kit to the connector.

E.1.2 Driver Installation

The driver installation has been described in **Chapter 7**.

After rebooting the sound effect configuration utility appears in the Windows Control Panel (see **Figure E-1**). If the peripheral speakers are properly connected, sound effects should be heard.

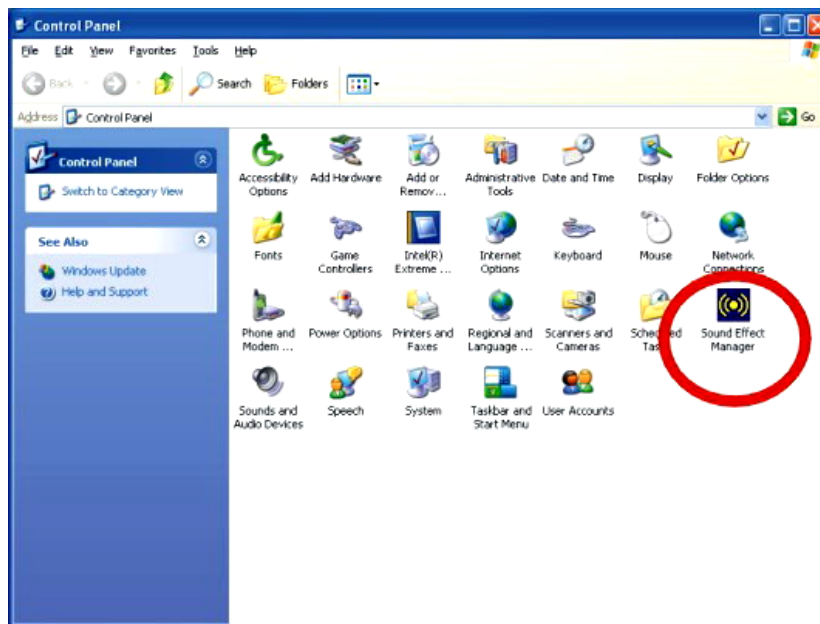


Figure E-1: Sound Effect Manager Control Panel

E.2 Sound Effect Configuration

E.2.1 Accessing the Sound Effects Manager

WAFER-LX2 3.5" Embedded SBC

To access the **Sound Effects Manager**, please do the following:

Step 1: Install the audio CODEC driver.

Step 2: Click either:

- The Sound Effect Manager icon in the Notification Area of the system task bar (see **Figure E-2**), or
- The Sound Effect Manager icon in the Control Panel (**Figure E-3**).

Sound Effect Manager



Figure E-2: Sound Effect Manager Icon [Task Bar]

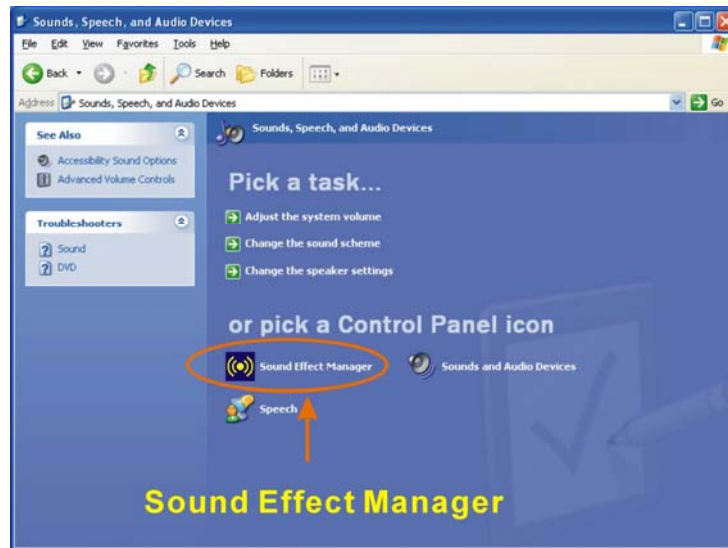


Figure E-3: Sound Effect Manager Icon [Control Panel]

Step 3: The sound effect manager appears.

**NOTE:**

The Sound Effect Manager shown above is for the RealTek ALC655 audio CODEC. Different CODECs may have different sound manager appearances.

The following section describes the different configuration options in the Sound Effect Manager.

E.2.2 Sound Effect Manager Configuration Options

The **Sound Effects Manager** enables configuration of the items listed below. To configure these items click the corresponding menu tab in the **Sound Effects Manager**.

**NOTE:**

The **Karaoke Mode** is configured in the **Sound Effect** menu. To access Karaoke configuration settings, click on the **Sound Effect** menu tab.

- Sound Effect
- Karaoke Mode
- Equalizer
- Speaker Configuration
- Speaker Test
- S/PDIF-In
- S/PDIF-Out
- Connector Sensing
- HRTF Demo
- Microphone Effect
- General

**NOTE:**

Not all RealTek **Sound Effect Managers** have all the above listed options. The Sound Effect Manager loaded onto the system may only have some of the options listed above.

Below is a brief description of the available configuration options in the **Sound Effects Manager**.

- **Sound Effect:**- Select a sound effect from the 23 listed options in the drop down menu. Selected sound effect properties can be edited. To edit the sound effect click “EDIT.”
- **Karaoke Mode:**- The **Karaoke Mode** is accessed in the Sound Effect window. The **Voice Cancellation** disables the vocal part of the music being played. The **Key adjustment** up or down arrow icons enables users to define a key that fits a certain vocal range.
- **Equalizer Selection:**- Preset equalizer settings enable easy audio range settings. Ten frequency bands can be configured.
- **Speaker Configuration:**- Multi-channel speaker settings are configured in this menu. Configurable options include:
 - Headphone
 - Channel mode for stereo speaker output
 - Channel mode for 4 speaker output
 - Channel mode for 5.1 speaker output
 - Synchronize the phonejack switch with speakers settings
- **Speaker Test:**- Each speaker connected to the system is tested individually to see if the 4-channel or 6-channel audio operates properly.
- **S/PDIF-In & S/PDIF-Out:**- These functions are currently not supported.

- **Connector Sensing**:- Realtek ALC655 detects if an audio device is plugged into the wrong connector. If an incorrect device is plugged in a warning message appears.
- **HRTF Demo**:- Adjust HRTF (Head Related Transfer Functions) 3D positional audio here before running 3D applications.
- **Microphone Effect**:- Microphone noise suppression is enabled in this menu.
- **General**:- General information about the installed AC'97 audio configuration utility is listed here.

Appendix

F

Hazardous Materials Disclosure

F.1 Hazardous Material Disclosure Table for IPB Products Certified as RoHS Compliant Under 2002/95/EC Without Mercury

The details provided in this appendix are to ensure that the product is compliant with the Peoples Republic of China (China) RoHS standards. The table below acknowledges the presences of small quantities of certain materials in the product, and is applicable to China RoHS only.

A label will be placed on each product to indicate the estimated "Environmentally Friendly Use Period" (EFUP). This is an estimate of the number of years that these substances would "not leak out or undergo abrupt change." This product may contain replaceable sub-assemblies/components which have a shorter EFUP such as batteries and lamps. These components will be separately marked.

Please refer to the table on the next page.

WAFER-LX2 3.5" Embedded SBC

Part Name	Toxic or Hazardous Substances and Elements					
	Lead (Pb)	Mercury (Hg)	Cadmium (Cd)	Hexavalent Chromium (CR(VI))	Polybrominated Biphenyls (PBB)	Polybrominated Diphenyl Ethers (PBDE)
Housing	X	O	O	O	O	X
Display	X	O	O	O	O	X
Printed Circuit Board	X	O	O	O	O	X
Metal Fasteners	X	O	O	O	O	O
Cable Assembly	X	O	O	O	O	X
Fan Assembly	X	O	O	O	O	X
Power Supply Assemblies	X	O	O	O	O	X
Battery	O	O	O	O	O	O

O: This toxic or hazardous substance is contained in all of the homogeneous materials for the part is below the limit requirement in SJ/T11363-2006

X: This toxic or hazardous substance is contained in at least one of the homogeneous materials for this part is above the limit requirement in SJ/T11363-2006

此附件旨在确保本产品符合中国 RoHS 标准。以下表格标示此产品中某有毒物质的含量符合中国 RoHS 标准规定的限量要求。

本产品上会附有“环境友好使用期限”的标签，此期限是估算这些物质“不会有泄漏或突变”的年限。本产品可能包含有较短的环境友好使用期限的可替换元件，像是电池或灯管，这些元件将会单独标示出来。

部件名称	有毒有害物质或元素					
	铅 (Pb)	汞 (Hg)	镉 (Cd)	六价铬 (CR(VI))	多溴联苯 (PBB)	多溴二苯醚 (PBDE)
壳体	X	O	O	O	O	X
显示	X	O	O	O	O	X
印刷电路板	X	O	O	O	O	X
金属螺帽	X	O	O	O	O	O
电缆组装	X	O	O	O	O	X
风扇组装	X	O	O	O	O	X
电力供应组装	X	O	O	O	O	X
电池	O	O	O	O	O	O

O: 表示该有毒有害物质在该部件所有物质材料中的含量均在 SJ/T11363-2006 标准规定的限量要求以下。
X: 表示该有毒有害物质至少在该部件的某一均质材料中的含量超出 SJ/T11363-2006 标准规定的限量要求。